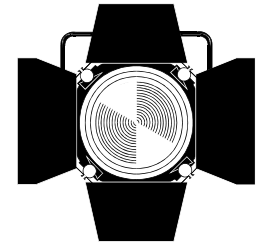
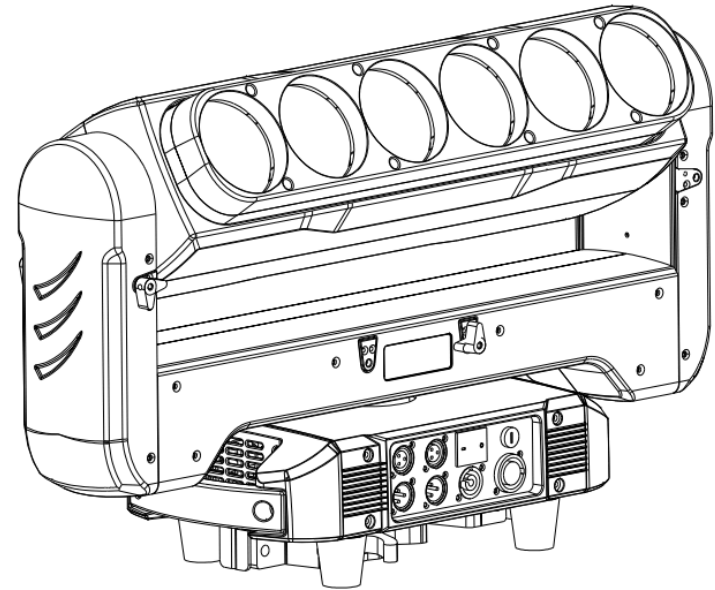


VIKING
STAGE LIGHTING



VK660 Super Pixel Blade



User manual

Please read the instructions carefully before use

TABLE OF CONTENTS

1. Safety Instructions	1 - 3
2. Technical Specifications.....	5
3. How To Control The Unit.....	6
4. DMX Channel List.....	9-20
5. Shape.....	21
6. Trouble shooting.....	22

statement

The product has well capability and intact packing when leave factory. All of the user should comply with warning item and manual, any misuse cause of the damages are not included in our guarantee, and also can not be responsible for any malfunction & problem owing to ignore the manual.

7. Trouble shooting

Following are a few common problems that may occur during operation. Here are some suggestions for easy troubleshooting:

A. The unit does not work, no light and the fan does not work

1. Check the connection of power and main fuse.
2. Measure the mains voltage on the main connector.
3. Check the power on LED.

B. Not responding to DMX controller

1. DMX LED should be on. If not, check DMX connectors, cables to see if link properly.
2. If the DMX LED is on and no response to the channel, check the address settings and DMX polarity.
3. If you have intermittent DMX signal problems, check the pins on connectors or on PCB of the unit or the previous one.
4. Try to use another DMX controller.
5. Check if the DMX cables run near or run alongside to high voltage cables that may cause damage or interference to DMX interface circuit.

C. One of the channels is not working well

1. The stepper motor might be damaged or the cable connected to the PCB is broken.
2. The motor's drive IC on the PCB might be out of condition

1. Safety Instructions

Please keep this User Guide for future consultation. If you sell the unit to another user, be sure that they also receive this instruction booklet.

- Unpack and check carefully there is no transportation damage before using the unit.
- Before operating, ensure that the voltage and frequency of power supply match the power requirements of the unit.
- It's important to ground the yellow/green conductor to earth in order to avoid electric shock.
- The unit is for indoor use only. Use only in a dry location.
- The unit must be installed in a location with adequate ventilation, at least 50cm from adjacent surfaces. Be sure that no ventilation slots are blocked.
- Disconnect main power before replacement or servicing.
- Make sure there are no flammable materials close to the unit while operating as it is fire hazard.
- Use safety cable when fixes this unit. DO NOT handle the unit by taking its head only, but always by taking its base.
- Maximum ambient temperature is Ta: 40°C. DO NOT operate it where the temperature is higher than this Unit surface temperature may reach up to 85°C. DO NOT touch the housing bare-hand during its operation. Turn off the power and allow about 15 minutes for the unit to cool down before replacing or serving.
- In the event of serious operating problem, stop using the unit immediately. Never try to repair the unit by yourself. Repairs carried out by unskilled people can lead to damage or malfunction. Please contact the nearest authorized technical assistance center. Always use the same type spare parts.

☒ DO NOT touch any wire during operation as high voltage might be causing electric shock.

Warning:

☒ To prevent or reduce the risk of electrical shock or fire, do not expose the unit to rain or moisture.

☒ DO NOT open the unit within five minutes after switching off.

☒ The housing, the lenses, or the ultraviolet filter must be replaced if they are visibly damaged.

Caution:

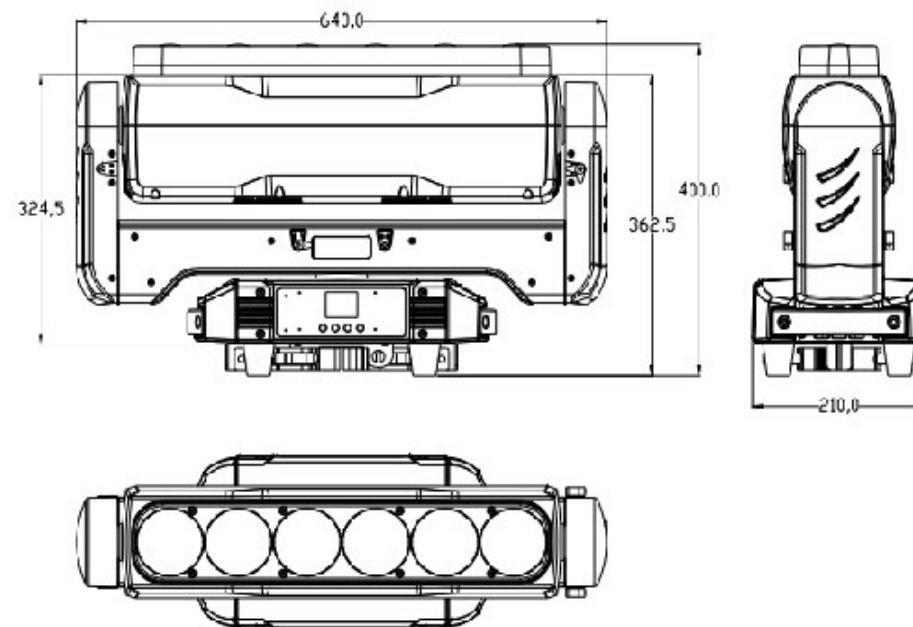
There are no user serviceable parts inside the unit. DO NOT open the housing or attempt any repairs yourself. In the unlikely event your unit may require service, please contact your nearest dealer.

Installation:

The unit should be mounted via its screw holes on the bracket. Always ensure that the unit is firmly fixed to avoid vibration and slipping while operating. And make sure that the structure to which you are attaching the unit is secure and is able to support a weight of 10 times of the unit's weight. Also always use a safety cable that can hold 12 times of the weight of the unit when installing the fixture.

The equipment must be fixed by professionals. And it must be fixed at a place where is out of the touch of people.

6. Shape



CH-20	Zone change fade		0 --- 255
CH-21	Color of Zone Red	From dark to bright	0 --- 255
CH-22	Color of Zone Green		
CH-23	Color of Zone Blue		
CH-24	Color of Zone White		
CH-25	Reset	No	0 --- 79
		Reset	80 --- 99
		No	100 --- 255

2. Technical Specifications

Light Sources: 6*60W 4IN1 osram RGBW LED

Beam Angle:4.5°- 55°

Power Consumption: 450w

Power Voltage: AC 100-260V, 50/60Hz

Net Weight:16 kgs

Control

DMX Channel:25/45 Channels

Control Modes: DMX512/master-Slave/Auto Run/Music

Pan/Tilt

Pan / Tilt : Infinite Rotation

Pan/Tilt Resolution: 8/16 bit

Construction

Display:180° reversible LCD Display

Data In/Out socket: 3-pin & 5-pin XLR sockets

Power Socket: Powercon in

Protection Rating: IP20

Features

Dimmer:0~100% smooth dimming ;two dimmer model in optional(delay or without delay)

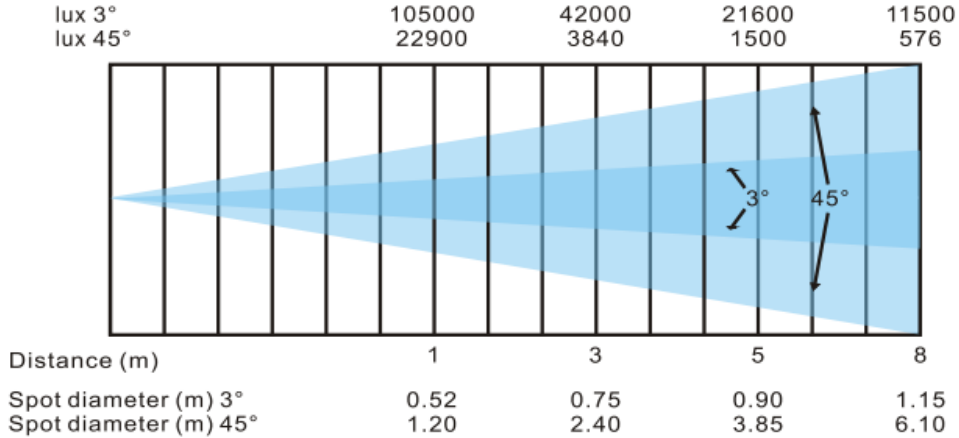
Led single controlled

Strong beam effects with high brightness

Led temperature protection & Fan run speed automatic based on the head temperature.

3.LUX Date

Min Zoom range =3°
 Max Zoom range =45°



4. Display & Menu



Menu



Up



Down



Enter

CH-18	Zone	No	
		Static Zone -1	0 --- 19
		Static Zone -2	20 --- 29
		Static Zone -3	30 --- 39
		Static Zone -4	40 --- 49
		Static Zone -5	50 --- 59
		Static Zone -6	60 --- 69
		Static Zone -7	70 --- 79
		Static Zone -8	80 --- 89
		Static Zone -9	90 --- 99
		Static Zone -10	100 --- 109
		Static Zone -11	110 --- 119
Static Zone -12	200 --- 255		
CH-19	Zone change speed		0 --- 255

CH-16	Static color	3500K	206----210
		4000K	211----215
		4500K	216----220
		5000K	221----225
		5500K	226----230
		6000K	231----235
		6500K	236----240
		7000K	241----245
		7500K	246----250
		8000K	251----255
CH-17	Effects	No	0 ---- 9
		3 numbers 1 effect	10 --- 99
		Jump	100 --- 149
		gradual change	150 --- 255

Display:

MENU To select the programming functions
DOWN To go backward in the selected functions
UP To go forward in the selected functions
ENTER To confirm the selected functions

Set DMX Address Code

- 1 Press "**Menu**" to "Set DMX Address",and press"**ENTER**" keys to enter into
- 2 Show "Set DMX Address DMX Address:**001**",Press the "**UP and DOWN**" keys to amended
- 3 Press "**ENTER**"keys to save and Exit,Press the"**MENU**"Keys does not save and Exit

Menu	Pan Degree	540 degree	360 degree	
	Mic Sense	001 - 100,Sound sensitivity adjustment		
	Language	English	Chinese	
	Reset	Yes	No	
	Default	Yes	No	
	Adjust	Pass Word:up+down+up+down		
		Pan	0 - 255	
		Tilt	0 - 255	
		Focus	0 - 255	
		Red	0 - 255	
		Green	0 - 255	
		Blue	0 - 255	
		White	0 - 255	
Address	Setting from 001 - 512			
			1.Yes	

Reverse	Forward or reversed setting	Pan	2.No
		Tilt	1.Yes
			2.No
		Display	1.Yes
		2.No	
Channel	45 channels	45 channel mode	
	25 channels	25 channel mode	
Inform	1.CH Value	Each channel value	
	2.Temp ____°C	Temperature of led board	
	3.Soft V1.2	Show the version number	
Mode	DMX 512		
	AUTO		
	SOUND		
Manual	Master	Pan:0--255	Manual control
		Tilt:0--255	
		Focus:0--255	
		Red: 0--255	
	Alone	Greed: 0--255	
		Blue: 0--255	
		White: 0--255	
		Strobe: 0-255	

CH-14	Blue - 1	From dark to bright	0 --- 255
CH-15	White - 1		
CH-16	Static color	No	0----15
		R 100%,G up,B0%	16----35
		R down,G 100%,B0%	36----55
		R 0%,G 100%,B up	56----75
		R 0%,G100%,B up	76----95
		R up,G0%,B100%	96----115
		R 100%,G0%,B down	116----135
		R 100%,G up,B up	136----155
		R100%,G down,B100%	156----175
		R100%,G 100%,B100%,W100%	176----195
		2800K	196----200
3200K	201----205		

CH-7	Tilt infinite rotation	Clockwise from slow to fast	56 --- 155
		Anticlockwise from slow to fast	156---255
CH-8	Strobe	No	0 --- 15
		from slow to fast	16 --- 214
		Random stroboscopic	215---255
CH-9	Dimming	From dark to bright	0 --- 255
CH-10	Dimming Model	Model - 1	0 --- 49
		Model - 2	50 --- 99
		Model - 3	100--- 149
CH-10	Dimming Model	Model - 4	150--- 255
CH-11	Focus	from near to far	0 --- 255
CH-12	Red - 1		
CH-13	Green - 1		

5.DMX Channel List

Model 1 - CH45

Channel	Display	Function	Value
CH-1	Pan adjustment	Pan adjustment	0 --- 255
CH-2	Pan adjustment	Pan adjustment	0 --- 255
CH-3	Tilt adjustment	Tilt adjustment	0 --- 255
CH-4	Tilt adjustment	Tilt adjustment	0 --- 255
CH-5	Pan/Til speed	from fast to slow	0 --- 255
CH-6	Pan infinite rotation	No	0 --- 55
		Clockwise from slow to fast	56 --- 155
		Anticlockwise from slow to fast	156---255
CH-7	Tilt infinite rotation	No	0 --- 55
		Clockwise from slow to fast	56 --- 155
		Anticlockwise from slow to fast	156---255
CH-8	Strobe	No	0 --- 15
		from slow to fast	16 --- 214

		Random stroboscopic	215---255
CH-9	Dimming	From dark to bright	0 --- 255
CH-10	Dimming Model	Model - 1	0 --- 49
		Model - 2	50 --- 99
		Model - 3	100--- 149
CH-10	Dimming Model	Model - 4	150--- 255
CH-11	Focus	from near to far	0 --- 255
CH-12	Red - 1	From dark to bright	0 --- 255
CH-13	Green - 1		
CH-14	Blue - 1		
CH-15	White - 1		
CH-16	Red - 2		
CH-17	Green - 2		0 --- 255
CH-18	Blue - 2		
CH-19	White - 2		
CH-20	Red - 3		0 --- 255
CH-21	Green - 3		
CH-22	Blue - 3		
CH-23	White - 3		

Model 2 - CH25

Channel	Display	Function	Value
CH-1	Pan adjustment	Pan adjustment	0 --- 255
CH-2	Pan adjustment	Pan adjustment	0 --- 255
CH-3	Tilt adjustment	Tilt adjustment	0 --- 255
CH-4	Tilt adjustment	Tilt adjustment	0 --- 255
CH-5	Pan/Til speed	from fast to slow	0 --- 255
CH-6	Pan infinite rotation	No	0 --- 55
		Clockwise from slow to fast	56 --- 155
CH-6	Pan infinite rotation	Anticlockwise from slow to fast	156---255
		No	0 --- 55

CH-38	Zone	Dynamic Zone -2	170 --- 179
		Dynamic Zone -3	180 --- 189
		Dynamic Zone -4	190 --- 199
		Dynamic Zone -5	200 --- 209
		Dynamic Zone -6	210 --- 219
		Dynamic Zone -7	220 --- 229
		Dynamic Zone -8	230 --- 255
CH-39	Zone change speed		0 --- 255
CH-40	Zone change fade		0 --- 255
CH-41	Color of Zone Red	From dark to bright	0 --- 255
CH-42	Color of Zone Green		
CH-43	Color of Zone Blue		
CH-44	Color of Zone White		
CH-45	Reset	No	0 --- 79
		Reset	80 --- 99
		No	100 --- 255

CH-24	Red - 4	From dark to bright	0 --- 255	
CH-25	Green - 4			
CH-26	Blue - 4			
CH-27	White - 4			
CH-28	Red - 5			
CH-29	Green - 5		0 --- 255	
CH-30	Blue - 5			
CH-31	White - 5			
CH-32	Red - 6			
CH-33	Green - 6			
CH-34	Blue - 6	0 --- 255		
CH-35	White - 6			
CH-36	Static color		No	0---15
			R 100%,G up,B0%	16---35
			R down,G 100%,B0%	36---55
			R 0%,G 100%,B up	56---75
			R 0%,G100%,B up	76---95
		R up,G0%,B100%	96---115	
		R 100%,G0%,B down	116---135	

CH-36	Static color	R 100%,G up,B up	136----155
		R100%,G down,B100%	156----175
		R100%,G 100%,B100%,W100%	176----195
		2800K	196----200
		3200K	201----205
		3500K	206----210
		4000K	211----215
		4500K	216----220
		5000K	221----225
		5500K	226----230
		6000K	231----235
		6500K	236----240
		7000K	241----245
		7500K	246----250
		8000K	251----255
		CH-37	Effects
3 numbers 1 effect	10 --- 99		
Jump	100 --- 149		

		gradual change	150 --- 255
CH-38	Zone	No	
		Static Zone -1	0 --- 9
		Static Zone -2	10 --- 19
		Static Zone -3	20 --- 29
		Static Zone -4	30 --- 39
		Static Zone -5	40 --- 49
		Static Zone -6	50 --- 59
		Static Zone -7	60 --- 69
		Static Zone -8	70 --- 79
		Static Zone -9	80 --- 89
		Static Zone -10	90 --- 99
		Static Zone -11	100 --- 109
		Static Zone -12	110 --- 119
		Static Zone -13	120 --- 129
		Static Zone -14	130 --- 139
		Static Zone -15	140 --- 149
		Static Zone -16	150 --- 159
Dynamic Zone -1	160 --- 169		