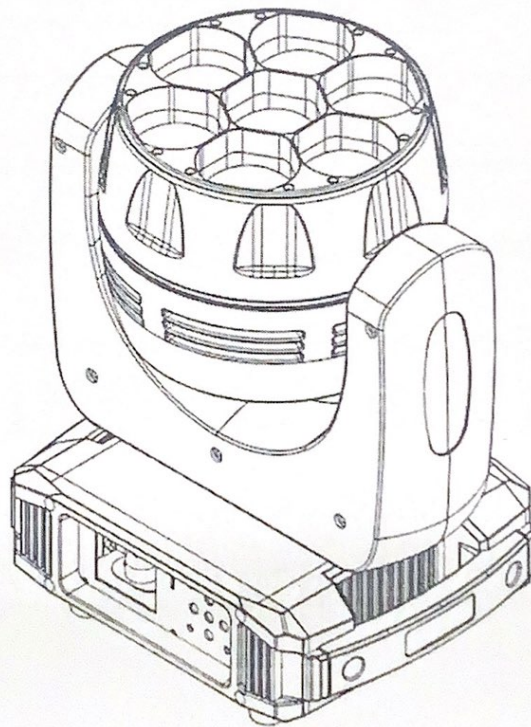


7x40W LED Moving Head (RGBW)



User Manual

Please read this user manual before using this product.



INDEX

STATEMENT	2
ACCESSORIES	3
SAFETY INSTRUCTION	3
GENERAL GUIDELINES	4
INSTALLATION	5
TECHNICAL SPECIFICATIN	7
CONTROL SYSTEM	8
HOW TO SET THE UNIT	9
HOW TO CONTROL THE UNIT	11
CLEANING AND MAINTENANCE	17

STATEMENT

The product has well capability and intact packing when leave factory. All of the user should comply with warning item and manual, any misuse cause of the damages are not included in our guarantee, and also cannot be responsible for any malfunction & problem owing to

2

ignore the manual.

ACCESSORIES

These items are packed together with the product:

Name	Quantity	Unit	Remark
USER MANUAL	1	PCS	
DMX CABLE	1	PCS	
POWER CABLE	1	PCS	

SAFETY INSTRUCTION

Please keep this User Guide for future consultation. If you sell the unit to another user, be sure that they also receive this instruction booklet.

3



This fixture is an extremely sophisticated piece of electronic equipment. To guarantee a smooth operation, it is important to follow the guidelines in this manual. The manufacturer of this device will not accept responsibility for damages resulting from the misuse of this fixture due to the disregard of the information printed in this manual.



This device is under **PROTECTION CLASS 1**. It's essential this device be grounded properly. Only qualified personnel should perform all electrical connections.



I N D O O R S U S E O N L Y I
DO NOT EXPOSE FIXTURE RAIN AND MOISTURE!



UNPLUG POWER BEFORE SERVICING FIXTURE!
DO NOT PLUG FIXTURE INTO A DIMMER PACK!
NEVER TOUCH FIXTURE DURING OPERATION, AS IT MAY BE HOT!



NEVER LOOK DIRECTLY INTO THE LIGHT SOURCE!
SENSITIVE PERSONS MAY SUFFER AN EPILEPTIC SHOCK!

GENERAL GUIDELINES

- ◆ **NEVER OPEN THIS FIXTURE WHILE IN USE!**
- ◆ During the initial operation of this fixture, a light smoke or smell may emit from the interior of the fixture. This is a normal process and is caused by excess paint in the interior of the casing burning off from the heat associated with the lamp and will decrease gradually over time.
- ◆ This fixture is a professional lighting effect designed for **INDOOR / DRY LOCATIONS ONLY** on stage, in nightclubs, theatres, etc.
- ◆ Please make sure there are **NO FLAMMABLE MATERIALS** close to the fixture while operating, to prevent any fire hazard.

4

- ◆ The fixture must be installed in a location with adequate ventilation, at least 1.5 feet (.5m) from adjacent surfaces. Be sure no air ventilation slots are blocked.
- ◆ **DO NOT** attempt installation and/or operation without knowledge how to do so.
- ◆ **DO NOT** permit operation by persons who are not qualified to operate this type of fixture. Most damages are the result of operations by nonprofessionals. Consistent operational breaks may ensure the fixture will function properly for many years to come.
- ◆ **DO NOT** shake fixture, avoid brute force when installing and/or operating fixture.
- ◆ Always install the fixture with an appropriate safety cable. When installing the fixture in a suspended environment, always use mounting hardware that is no less than M10 x 25 mm, also be sure the hardware is insert in the pre-arranged screw holes in the bracket of the fixture.
- ◆ Use the original packaging and materials to transport the fixture in for service.
- ◆ **DO NOT TOUCH** the housing bare-hand during its operation. Turn OFF the power and allow approximately 15 minutes for the fixture to cool down before replacing or servicing.

INSTALLATION

CAUTIONS

- ◆ For added protection, mount the fixture in areas outside walking paths, seating areas, or in areas were unauthorized personnel might reach the fixture.
- ◆ Ambient operating temperature range for this fixture is 5° to 113°F. (-15°

5

- to 45°C) Do not use the fixture under or above this temperature.
- Before mounting the fixture to any surface, make sure the installation area can hold a minimum point load of 10 times the weight of the fixture.
- Fixture installation must always be secured with a secondary safety attachment, such as an appropriate safety cable.
- Never stand directly below the device when mounting, removing or servicing.



FLAMMABLE MATERIAL WARNING
Keep fixture at least 5.0 ft (1.5m) away from any flammable materials, decorations, pyrotechnics, etc.



ELECTRICAL CONNECTIONS
A qualified electrician should be used for all electrical connections and/or installations.

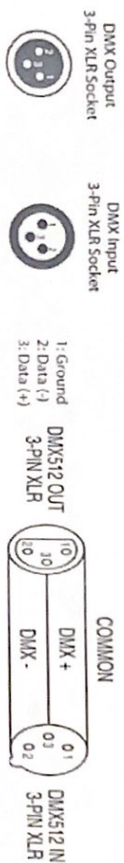
The unit should be mounted via its screw holes on the bracket. Always ensure that the unit is firmly fixed to avoid vibration and slipping while operating. And make sure that the structure to which you are attaching the unit is secure and is able to support a weight of 10 times of the unit's weight. Also always use a safety cable that can hold 12 times of the weight of the unit when installing the fixture.

The equipment must be fixed by professionals. And it must be fixed at a place where is out of the touch of people.

DMX-512 control connection:

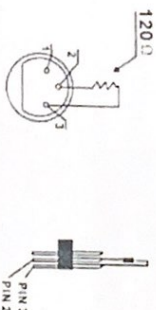
Connect the provided XLR cable to the female 3-pin XLR output of your controller and the other side to the male 3-pin XLR input of the moving head. You can chain multiple Moving head together through serial linking. The cable needed should be two core, screened cable with XLR input and output connectors. Please refer to the diagram below.

6



DMX-512 connection with DMX terminator:

For installations where the DMX cable has to run a long distance or is in an electrically noisy environment, such as in a discotheque, it is recommended to use a DMX terminator. This helps in preventing corruption of the digital control signal by electrical noise. The DMX terminator is simply an XLR plug with a 120 resistor connected between pins 2 and 3, which is then plugged into the output XLR socket of the last fixture in the chain. Please see illustrations below.



TECHNICAL SPECIFICATION

Small, Fast, Functional LED moving head wash zoom.

DMX channel: 12/17ch mode

Control mode: DMX512, master-slave, auto, sound

LCD display screen

Voltage: AC100V-240V, 50/60Hz

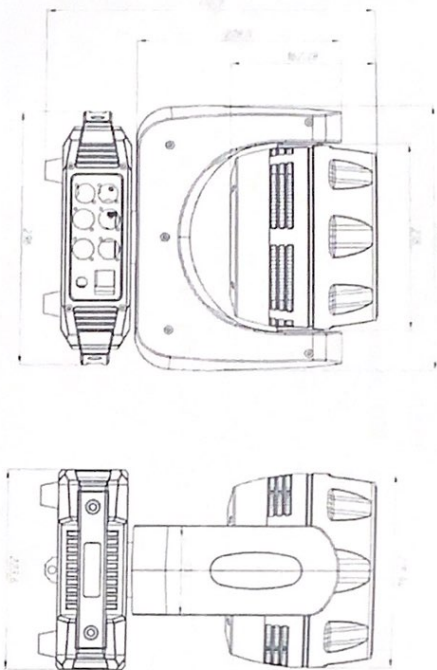
Power Consumption: 350W

LED: 7X 40W OSRAM RGBW LED

Strobe: 1-25 times/second

7

PAN: 540°/240° 16bit
 Beam angle: 4.5°-45°
 Dimmer: 0-100% linear dimming system
 N.W.: 10 Kg



Please Note: Specifications and improvements in the design of this unit and this manual are subject to change without any prior written notice

CONTROL SYSTEM

The DMX512 is widely used in intelligent lighting control, with a DMX 512 controller. Connect several lights together dmx in and dmx out, 3 pin XLR connectors: Pin 1: GND, Pin 2: Negative signal (-), Pin 3: Positive signal (+)

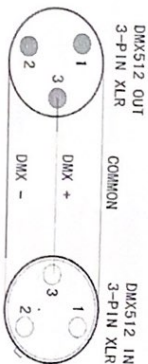
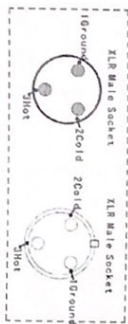


Figure 2



XLR Pin Configuration	
pin 1	Ground
pin 2	Hot (Common/Active)
pin 3	Cold (Common/Passive)

HOW TO SET THE UNIT

MAIN FUNCTION

To select any of the given functions, press the **MENU** button up to where the required function is showing on the display. Select the function by pressing the **ENTER** button and the display will blink. Use the **DOWN** and **UP** buttons to change the mode. Once the required mode has been selected, press the **ENTER** button to confirm. To go back to the functions without any changes, press the **MENU** button again. Press and hold the **MENU** button for one second or wait for one minute to go back to the main menu.

The main functions are as below:

DmxAddr	001 - 512		
Fix Set	Ch Mode	STD/HIS	
	Run Mode	DMX/Host	
	Pan Inv	Close/Open	

Manual	Tilt Inv	Close/Open	
	Pan	0 - 255	
	Pan Fine	0 - 255	
	Tilt	0 - 255	
	Tilt Fine	0 - 255	
Fix Info	TimelInfo	Cur Time	xxxh
		Show Time	xxxh
		PowerCnt	xxx
		Pan	OK/NG
		Tilt	OK/NG
	Sensor	Zoom	OK/NG
		Temp	OK/NG
		Fan	OK/NG
		Temprat	xxx C
		FansSpeed	xxxx RPM
TemplInfo	Panel	Vx.xxx	
	Motor	Vx.xxx	
	Soft Ver		
Home Set	Password	0 - 255	
	Pan	0 - 255	
	Tilt	0 - 255	
	Zoom	0 - 255	

10

FixReset	Red	0 - 255	
	Green	0 - 255	
	Blue	0 - 255	
	White	0 - 255	
	Reset	Cancel/Run	
Display	Factory	Cancel/Run	
	Language	EN/CH	
	DispFlip	Open/Close	
	DispMode	Show/60s	

HOW TO CONTROL THE UNIT

1: address code setting

- ◆ Set dmx address in DMX menu
 - ◆ Set the same address or different according to needs
- A001 is default setting, press **ENTER** into address set, **UP/DOWN** to change code, then **ENTER**, press **Model/Esc** back to main menu.

2: Fix setting

2.1: channel setting

2 optional channel modes, 12 ch and 17 ch, to DMX512 signal

2.2: running mode

【Run】 running mode, select 【Master】 mode and 【Slave】 mode and sound control

2.3: Pan Inv

【Reverse PAN】 Pan info forward and reverse settings, select 【OFF】 forward,

11

select **【ON】** reverse

2.4: Tilt Inv:

【Reverse Tilt】 Tilt info forward and reverse settings, select **【OFF】** forward, select **【ON】** reverse

3: manual control

Manual control each functions on the menu, like Pan/tilt move speed, dimming, strobe.

4. Fix info

Time display, sensor, temp and cur soft version

5. home setting

set the pan, tilt, zoom and R,,G,B,W

6: reset

[RESET] motor reset mode, select **【ON】** reset, **【OFF】** not reset
 press **【ENTER】** into **【Reset default】**, select **【default】**, press **【ENTER】**
 press **【down】** **【up】** to choose, **【ON】** reset default, **【OFF】** stay cur setting, press **【ENTER】** confirm

7: display setting:

language: Chinese/ English

display flip

display mode setting

CHANNEL DESCRIPTION (17 CHANNEL):

CH	FUNCTION	VALUE	DESCRIPTION
1	Pan	0-255	Pan Rotation
2	Pan Fine	0-255	Pan Fine
3	Tilt	0-255	Tilt Rotation

4	Tilt Fine	0-255	Tilt Fine
5	P/T Speed	0-255	P/T Speed
6	Red	0-255	LED OFF - LED ON
7	Green	0-255	LED OFF - LED ON
8	Blue	0-255	LED OFF - LED ON
9	White	0-255	LED OFF - LED ON
10	Dimmer	0-255	NO LIGHT - FULL LIGHT
11	Strobe	252 - 255	OPEN
		239 - 251	RANDOM FAST STROBE
		226 - 238	RANDOM MEDIUM STROBE
		213 - 225	RANDOM SLOW STROBE
		208 - 212	OPEN
		108-207	SLOW PULSATION - FAST PULSATION
		104 - 107	OPEN
		4-103	SLOW STROBE - FAST STROBE
12	CCT	0 - 3	CLOSED
		225-255	2500 K
		189-224	3200 K
		145-188	4000 K
		118-144	5000 K
		100-117	5600 K
		55-99	6000 K
		11-54	7000 K
		10	8000 K
		0-9	UNUSED RANGE
13	Macro colour	209-255	White
		208	Dirty White
		207	Alice Blue
		191-206	Congo Blue

184-190	Dark Steel Blue
180-183	Deep lavender
179	Lilac Tint
175-178	Daylight Blue
174	Flame Red
172-173	Bastard Amber
168-171	Deep Orange
162-167	Pale Gold
157-161	Apricot
151-156	Bright Blue
149-150	Primary Green
147-148	Special lavender
146	Pale Lavender
145	Deep Golden Amber
142-144	Medium Blue
138-141	Bright Pink
136-137	Mauve
134-135	Dark Green
131-133	Leaf Green
129-130	Dark Blue
128	Light Blue
127	Steel Blue
126	Med Blu Green
125	Peacock Blue
123-124	Magenta
121-122	Dark Pink
120	Middle Rose
119	Light Salmon
118	English Rose

117	Light Rose
115-116	Orange
114	Deep Amber
113	Straw
112	Light Amber
110-111	Spring Yellow
100-109	Dark yellow green
89-99	Just Blue
78-88	Sky Blue
68-77	Lavender
62-67	Light Lavender
49-61	Pink Carnation
46-48	Medium Pink
45	Light Pink
35-44	Sunrise Red
32-34	Dark Amber
31	Gold Amber
30	Medium Amber
29	Fire
27-28	Surprise Peach
23-26	Straw Tint
20-22	Medium Yellow
19	Black
18	White 5000 K
17	White 3700 K
16	White 7000 K
15	Magenta
14	Yellow
13	Cyan

		12	Blue
		11	Green
		10	Red
		0-9	Macro color OFF
14	Zoom	0-255	NARROW BEAM - WIDE BEAM
15	Reset	0-127	UNUSED RANGE
		128-255	COMPLETE RESET
16	Control	0-255	Control
17	Effect	0	CLOSED
		1-100	Wave
		101-200	Dream
		201-255	CLOSED

CHANNEL DESCRIPTION (12 CHANNEL):

CH	FUNCTION	VALUE	DESCRIPTION
1	Pan	0-255	Pan
2	Pan Fine	0-255	Pan Fine
3	Tilt	0-255	Tilt
4	Tilt Fine	0-255	Tilt Fine
5	P/T Speed	0-255	P/T Speed
6	Hue	0-255	Hue
7	Saturation	0-255	Saturation
8	Intensiyt	0-255	Intensiyt
9	Strobe	0-255	SLOW STROBE - FAST STROBE
10	Zoom	0-255	NARROW BEAM - WIDE BEAM
11	Control	0-255	Control
12	Reset	0-127	UNUSED RANGE
		128-255	COMPLETE RESET

16

CLEANING AND MAINTENANCE



C A U T I O N

Disconnect power before cleaning or maintenance.

CLEANING

Frequent cleaning is recommended to insure proper function, optimized light output, and an extended life. The frequency of cleaning depends on the environment in which the fixture operates: damp, smoky or particularly dirty environments can cause greater accumulation of dirt on the fixture's optics.

- Clean the external lens surface at least every 20 days with a soft cloth to avoid dirt/debris accumulation.
- Never use alcohol, solvents, or ammonia based cleaners.

MAINTENANCE

Regular inspections are recommended to insure proper function and extended life. There are no user serviceable parts inside this fixture, please refer all other service issues to an authorized service technician. Should you need any spare parts, please order genuine parts from your local dealer.

Please refer to the following points during routine inspections:

- A detailed electric check by an approved electrical engineer every three months, to make sure the circuit contacts are in good condition and prevent overheating.

17

- *Be sure all screws and fasteners are securely tightened at all times. Loose screws may fall out during normal operation resulting in damage or injury as larger parts could fall.*
- *Check for any deformations on the housing, color lenses, rigging hardware and rigging points (ceiling, suspension, trussing). Deformations in the housing could allow for dust to enter into the fixture. Damaged rigging points or unsecured rigging could cause the fixture to fall and seriously injure a person(s).*
- *Electric power supply cables must not show any damage, material fatigue or sediments. Never remove the ground prong from the power cable.*