



CHORUS LINE ST™

user manual

©2019 **ELATION PROFESSIONAL** all rights reserved. Information, specifications, diagrams, images, and instructions herein are subject to change without notice. ELATION PROFESSIONAL logo and identifying product names and numbers herein are trademarks of ELATION PROFESSIONAL. Copyright protection claimed includes all forms and matters of copyrightable materials and information now allowed by statutory or judicial law or hereinafter granted. Product names used in this document may be trademarks or registered trademarks of their respective companies and are hereby acknowledged. All non-ELATION brands and product names are trademarks or registered trademarks of their respective companies.

ELATION PROFESSIONAL and all affiliated companies hereby disclaim any and all liabilities for property, equipment, building, and electrical damages, injuries to any persons, and direct or indirect economic loss associated with the use or reliance of any information contained within this document, and/or as a result of the improper, unsafe, insufficient and negligent assembly, installation, rigging, and operation of this product.

Elation Professional USA | 6122 S. Eastern Ave. | Los Angeles, CA. 90040

323-582-3322 | 323-832-9142 fax | www.elationlighting.com | info@elationlighting.com

Elation Professional B.V. | Junostraat 2 | 6468 EW Kerkrade, The Netherlands

+31 45 546 85 66 | +31 45 546 85 96 fax | www.elationlighting.eu | info@elationlighting.eu

Elation Professional Mexico | AV Santa Ana 30 | Parque Industrial Lerma, Lerma, Mexico 52000

+52 (728) 282-7070

D O C U M E N T V E R S I O N

Due to additional product features and/or enhancements, an updated version of this document may be available.

Please contact Elation Service for the latest revision/update of this manual, before beginning installation and/or programming.

Date	Document Version	Software Version ≥	DMX Channel Modes	Notes
06/19/19	1	1.03	16 / 18 / 46	Initial release.
06/20/19	1.2	N/C	NO CHANGE	Added missing DMX Channels in chart.

CONTENTS

General Information	4
Limited Warranty (USA Only)	5
Safety Guidelines	6
Maintenance Guidelines	8
Fixture Overview	9
Installation Guidelines	10
System Menu	13
DMX Channel Functions and Values	15
Pixel Control	22
Specifications	23
Optional Accessories	25

GENERAL INFORMATION

INTRODUCTION

Please read and understand the instructions in this manual carefully and thoroughly before attempting to operate this device. These instructions contain important safety and use information.

UNPACKING

Every device has been thoroughly tested and has been shipped in perfect operating condition. Carefully check the shipping carton for damage that may have occurred during shipping. If the carton is damaged, carefully inspect the device for damage, and be sure all accessories necessary to install and operate the device have arrived intact. In the event damage has been found or parts are missing, please contact our customer support team for further instructions. Please do not return this device to your dealer without first contacting customer support. Please do not discard the shipping carton in the trash. Please recycle whenever possible.

BOX CONTENTS

Safety Cable
Omega Brackets (x2)
Neutrik powerCON TRUE1 Power Cable

CUSTOMER SUPPORT

Contact **ELATION Service** for any product related service and support needs. Also visit forums.elationlighting.com with questions, comments or suggestions.

ELATION SERVICE USA - Monday - Friday 8:00am to 4:30pm PST
323-582-3322 | Fax 323-832-9142 | support@elationlighting.com

ELATION SERVICE EUROPE - Monday - Friday 08:30 to 17:00 CET
+31 45 546 85 63 | Fax +31 45 546 85 96 | support@elationlighting.eu

REPLACEMENT PARTS please visit parts.elationlighting.com



IMPORTANT NOTICE!

THERE ARE NO USER SERVICEABLE PARTS INSIDE THIS UNIT. DO NOT ATTEMPT ANY REPAIRS YOURSELF; DOING SO WILL VOID YOUR MANUFACTURES WARRANTY. DAMAGES RESULTING FROM MODIFICATIONS TO THIS FIXTURE AND/OR THE DISREGARD OF SAFETY INSTRUCTIONS AND GUIDELINES IN THIS MANUAL VOID THE MANUFACTURES WARRANTY AND ARE NOT SUBJECT TO ANY WARRANTY CLAIMS AND/OR REPAIRS.

LIMITED WARRANTY (USA ONLY)

A. Elation Professional hereby warrants, to the original purchaser, Elation Professional products to be free of manufacturing defects in material and workmanship for a period of two years (730 days), and Elation Professional product rechargeable batteries to be free of manufacturing defects in material and workmanship for a period of six months (180 days), from the original date of purchase. This warranty excludes discharge lamps and all product accessories. This warranty shall be valid only if the product is purchased within the United States of America, including possessions and territories. It is the owner's responsibility to establish the date and place of purchase by acceptable evidence, at the time service is sought. B. For warranty service, send the product only to the Elation Professional factory. All shipping charges must be pre-paid. If the requested repairs or service (including parts replacement) are within the terms of this warranty, Elation Professional will pay return shipping charges only to a designated point within the United States. If any product is sent, it must be shipped in its original package and packaging material. No accessories should be shipped with the product. If any accessories are shipped with the product, Elation Professional shall have no liability what so ever for loss and/or or damage to any such accessories, nor for the safe return thereof. C. This warranty is void if the product serial number and/or labels are altered or removed; if the product is modified in any manner which Elation Professional concludes, after inspection, affects the reliability of the product; if the product has been repaired or serviced by anyone other than the Elation Professional factory unless prior written authorization was issued to purchaser by Elation Professional; if the product is damaged because not properly maintained as set forth in the product instructions, guidelines and/or user manual. D. This is not a service contract, and this warranty does not include any maintenance, cleaning or periodic check-up. During the periods as specified above, Elation Professional will replace defective parts at its expense, and will absorb all expenses for warranty service and repair labor by reason of defects in material or workmanship. The sole responsibility of Elation Professional under this warranty shall be limited to the repair of the product, or replacement thereof, including parts, at the sole discretion of Elation Professional. All products covered by this warranty were manufactured after January 1, 1990, and bare identifying marks to that effect. E. Elation Professional reserves the right to make changes in design and/or performance improvements upon its products without any obligation to include these changes in any products theretofore manufactured. F. No warranty, whether expressed or implied, is given or made with respect to any accessory supplied with the products described above. Except to the extent prohibited by applicable law, all implied warranties made by Elation Professional in connection with this product, including warranties of merchantability or fitness, are limited in duration to the warranty periods set forth above. And no warranties, whether expressed or implied, including warranties of merchantability or fitness, shall apply to this product after said periods have expired. The consumer's and/or dealer's sole remedy shall be such repair or replacement as is expressly provided above; and under no circumstances shall Elation Professional be liable for any loss and/or damage, direct and/or consequential, arising out of the use of, and/or the inability to use, this product. G. This warranty is the only written warranty applicable to Elation Professional products and supersedes all prior warranties and written descriptions of warranty terms and conditions heretofore published.

WARRANTY RETURNS

All returned service items whether under warranty or not, must be freight pre-paid and accompany a return authorization (R.A.) number. The R.A. number must be clearly written on the outside of the return package. A brief description of the problem as well as the R.A. number must also be written down on a piece of paper and included in the shipping container. If the unit is under warranty, you must provide a copy of your proof of purchase invoice. Items returned without a R.A. number clearly marked on the outside of the package will be refused and returned at customer's expense. You may obtain a R.A. number by contacting customer support.

SAFETY GUIDELINES

This fixture is a sophisticated piece of electronic equipment. To guarantee a smooth operation, it is important to follow all instructions and guidelines in this manual. Elation Professional is not responsible for injury and/or damages resulting from the misuse of this fixture due to the disregard of the information printed in this manual. Only qualified and/or certified personnel should perform installation of this fixture and only the original rigging parts (omega brackets) included with this fixture should be used for installation. Any modifications to the fixture and/or the included mounting hardware will void the original manufactures warranty and increase the risk of damage and/or personal injury.



PROTECTION CLASS 1 - FIXTURE MUST BE PROPERLY GROUNDED



THERE ARE NO USER SERVICEABLE PARTS INSIDE THIS UNIT. DO NOT ATTEMPT ANY REPAIRS YOURSELF; DOING SO WILL VOID YOUR MANUFACTURES WARRANTY. DAMAGES RESULTING FROM MODIFICATIONS TO THIS FIXTURE AND/OR THE DISREGARD OF SAFETY INSTRUCTIONS AND GUIDELINES IN THIS MANUAL VOID THE MANUFACTURES WARRANTY AND ARE NOT SUBJECT TO ANY WARRANTY CLAIMS AND/OR REPAIRS.



**DO NOT PLUG FIXTURE INTO A DIMMER PACK!
NEVER OPEN THIS FIXTURE WHILE IN USE!
UNPLUG POWER BEFORE SERVICING FIXTURE!
NEVER TOUCH FIXTURE DURING OPERATION, AS IT MAY BE HOT!
KEEP FLAMMABLE MATERIALS AWAY FROM FIXTURE!**



**NEVER LOOK DIRECTLY INTO THE LIGHT SOURCE!
RETINA INJURY RISK - MAY INDUCE BLINDNESS!
SENSITIVE PERSONS MAY SUFFER AN EPILEPTIC SHOCK!**



**INDOOR / DRY LOCATIONS USE ONLY!
DO NOT EXPOSE FIXTURE TO RAIN AND MOISTURE!**

SAFETY GUIDELINES

DO NOT TOUCH the fixture housing during operation. Turn OFF the power and allow approximately 15 minutes for the fixture to cool down before serving.

DO NOT shake fixture, avoid brute force when installing and/or operating fixture.

DO NOT operate fixture if the power cord is frayed, crimped, damaged and/or if any of the power cord connectors are damaged and do not insert into the fixture securely with ease.

NEVER force a power cord connector into the fixture. If the power cord or any of its connectors are damaged, replace it immediately with a new one of similar power rating.

DO NOT block any air ventilation slots.

All fan and air inlets must remain clean and never blocked.

Allow approx. 6" (15cm) between fixture and other devices or a wall for proper cooling.

When installing fixture in a suspended environment, always use mounting hardware that is no less than M10 x 25 mm, and always install fixture with an appropriately rated safety cable.

Always disconnect fixture from main power source before performing any type of service and/or cleaning procedure. Only handle the power cord by the plug end, never pull out the plug by tugging the wire portion of the cord.

During the initial operation of this fixture, a light smoke or smell may emit from the interior of the fixture. This is a normal process and is caused by excess paint in the interior of the casing burning off from the heat associated with the lamp and will decrease gradually over time.

Consistent operational breaks will ensure fixture will function properly for many years.

ONLY use the original packaging and materials to transport the fixture in for service.

MAINTENANCE GUIDELINES



DISCONNECT POWER BEFORE PERFORMING ANY MAINTENANCE!

CLEANING

Frequent cleaning is recommended to insure proper function, optimized light output, and an extended life. The frequency of cleaning depends on the environment in which the fixture operates: damp, smoky or particularly dirty environments can cause greater accumulation of dirt on the fixture's optics. Clean the external lens surface at least every 20 days with a soft cloth to avoid dirt/debris accumulation.

NEVER use alcohol, solvents, or ammonia-based cleaners.

MAINTENANCE

Regular inspections are recommended to insure proper function and extended life.

There are no user serviceable parts inside this fixture, please refer all other service issues to an authorized Elation service technician. Should you need any spare parts, please order genuine parts from your local Elation dealer.

Please refer to the following points during routine inspections:

A detailed review by an approved electrical engineer every three months, to make sure the circuit contacts are in good condition and prevent overheating.

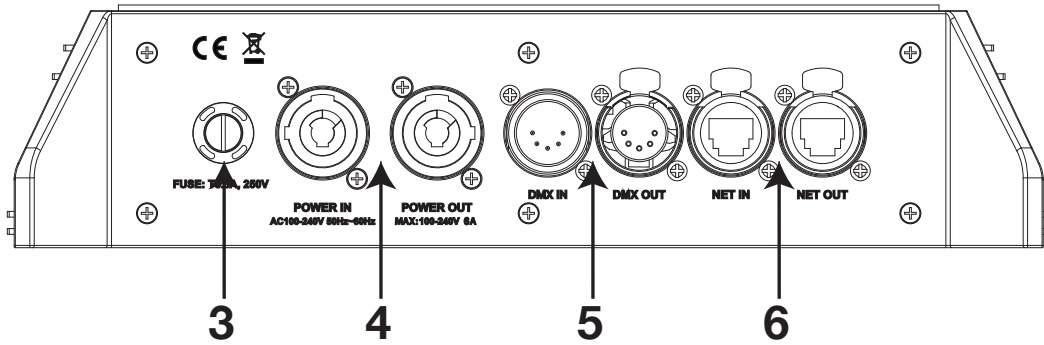
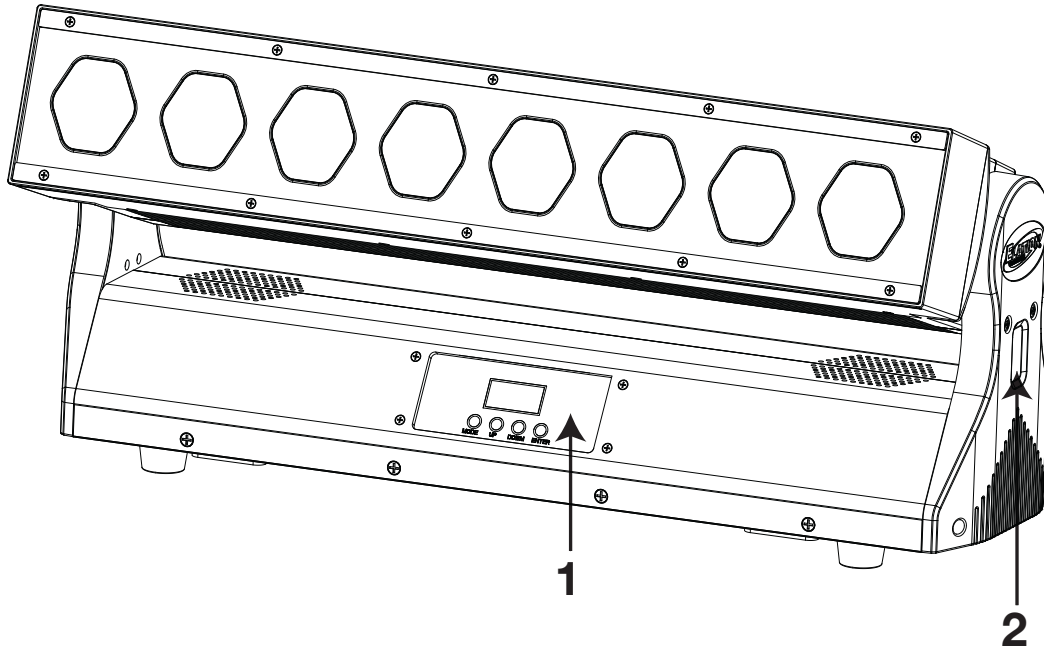
Be sure all screws and fasteners are securely tightened at all times. Loose screws may fall out during normal operation resulting in damage or injury as larger parts could fall.

Check for any deformations on the housing, color lenses, rigging hardware and rigging points (ceiling, suspension, trussing). Deformations in the housing could allow for dust to enter into the fixture. Damaged rigging points or unsecured rigging could cause the fixture to fall and seriously injure a person(s).

Electric power supply cables must not show any damage, material fatigue or sediments.

NEVER remove the ground prong from the power cable.

FIXTURE OVERVIEW



1. LCD Menu Display, MENU, UP, DOWN, ENTER Buttons
2. Tilt Lock
3. Fuse
4. powerCON IN/OUT
5. 5pin DMX IN/OUT
6. RJ45 Ethernet IN/OUT

INSTALLATION INSTRUCTIONS



FLAMMABLE MATERIAL WARNING

Keep fixture minimum 5.0 feet (1.5m) away from flammable materials and/or pyrotechnics.



ELECTRICAL CONNECTIONS

A qualified electrician should be used for all electrical connections and/or installations.



USE CAUTION WHEN POWER LINKING OTHER MODEL FIXTURES AS THE POWER CONSUMPTION OF OTHER MODEL FIXTURES MAY EXCEED THE MAX POWER OUTPUT ON THIS FIXTURE. CHECK SILK SCREEN FOR MAX AMPS.



DO NOT INSTALL THE FIXTURE IF YOU ARE NOT QUALIFIED TO DO SO!

Fixture **MUST** be installed following all local, national, and country commercial electrical and construction codes and regulations.

Before rigging/mounting a single fixture or multiple interconnected fixtures for custom matrix designs to any metal truss/structure or placing the fixture(s) on any surface, a professional equipment installer **MUST** be consulted to determine if the metal truss/structure or surface is properly certified to safely hold the combined weight of the fixture(s), clamps, cables, and accessories.

Fixture ambient operating temperature range is **15° to 113°F. (-15° to 45°C)**

Do not use the fixture under or above this temperature.

Fixture(s) should be installed in areas outside walking paths, seating areas, or away from areas where unauthorized personnel might reach the fixture by hand.

NEVER stand directly below the fixture(s) when rigging, removing or servicing.

Overhead fixture installation must always be secured with a secondary safety attachment, such as an appropriately rated safety cable that can hold 10 times the weight of the fixture.

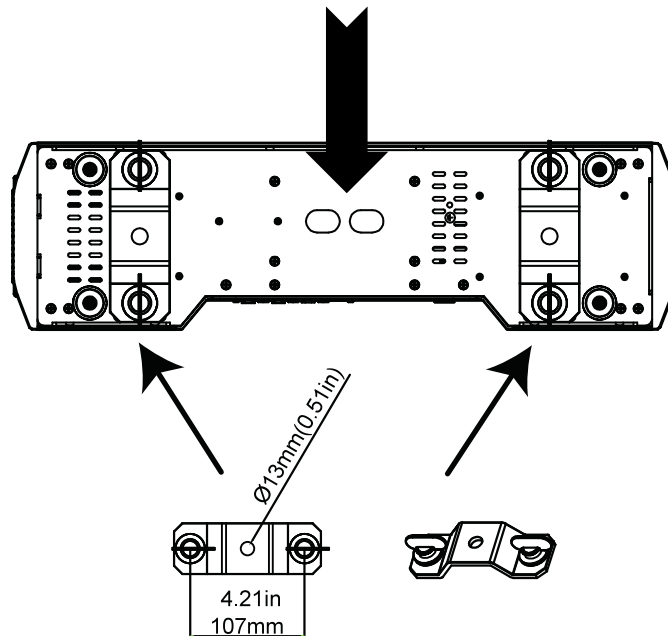
Allow approximately 15 minutes for the fixture to cool down before serving.

INSTALLATION INSTRUCTIONS

CLAMP MOUNTING

The fixture can be placed on the flat surface or truss mounted. When mounting this fixture to truss be sure to secure (2) appropriately rated clamps (not included) to the **(2) Omega Brackets (included)** Be sure to attach the **Safety Cable (included)** to the fixture using the safety cable rigging points integrated into the bottom of the fixture. (See image below)

SAFETY CABLE RIGGING POINT



SAFETY CABLE

The fixture includes an integrated safety cable rigging point. (see image below)

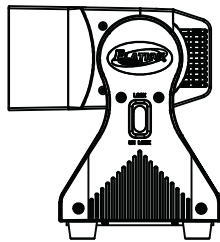
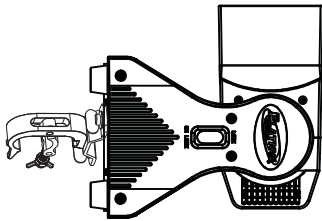
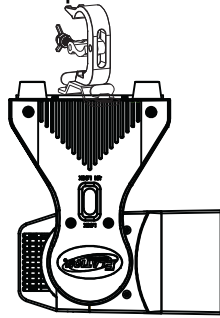


ALWAYS ATTACH A SAFETY CABLE WHEN INSTALLING FIXTURE IN A SUSPENDED ENVIRONMENT TO ENSURE THE FIXTURE WILL NOT DROP IF THE CLAMP FAILS.

INSTALLATION INSTRUCTIONS

OVERHEAD RIGGING

Overhead rigging requires extensive experience, including amongst others calculating working load limits, installation material being used, and periodic safety inspection of all installation material and the fixture. If you lack these qualifications, do not attempt the installation yourself. Improper installation can result in bodily injury and property damage. Fixture is fully operational in the specific mounting positions illustrated below.



POWER LINKING



USE CAUTION WHEN POWER LINKING OTHER MODEL FIXTURES AS THE POWER CONSUMPTION OF OTHER MODEL FIXTURES MAY EXCEED THE MAX POWER OUTPUT ON THIS FIXTURE. CHECK SILK SCREEN FOR AMX AMPS.

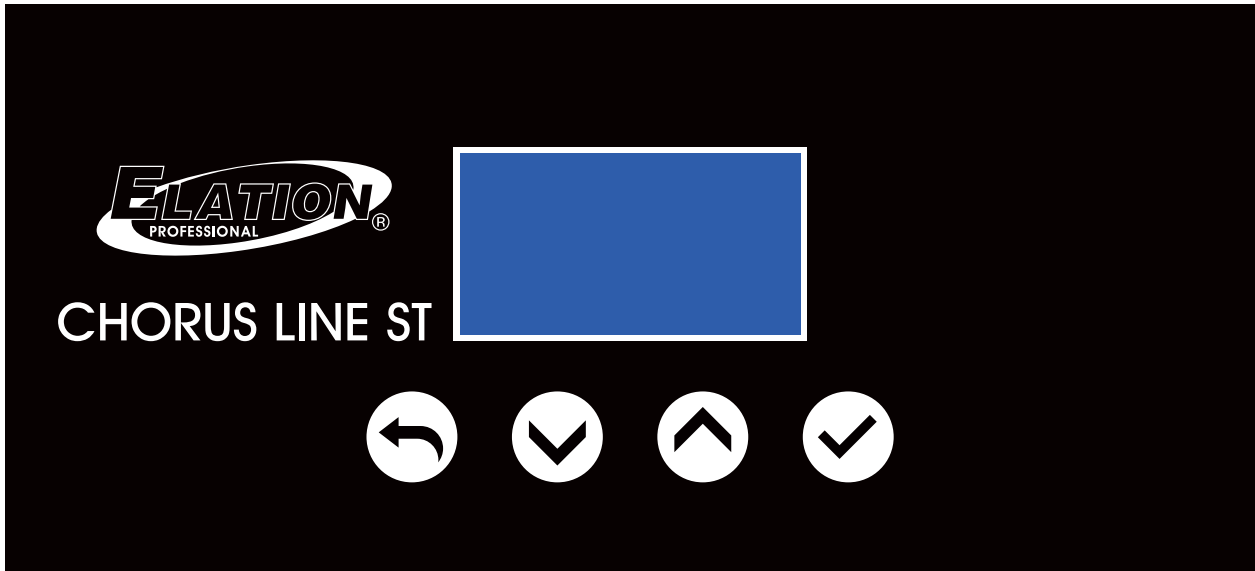
KLING-NET / ART-NET CONNECTION

When connecting fixture to a network switch to control multiple devices, a **Gigabit Ethernet Switch** that supports **IGMP (Internet Group Management Protocol)** is required. Using a **Gigabit Ethernet Switch** that does not support **IGMP** can cause erratic behavior of all connected devices to the switch. Click link below for more information about IGMP.

https://en.wikipedia.org/wiki/Internet_Group_Management_Protocol

SYSTEM MENU

The fixture comes with an easy to navigate system menu. The control panel (see image below) located on the back of the fixture provides access to the main system menu and is where all necessary system adjustments are made to the fixture. During normal operation, pressing **MODE** button once will access the fixture's main menu. Once in the main menu you can navigate through the different functions and access the sub-menus with the **UP** and **DOWN** buttons. Once you reach a field that requires adjusting, press the **ENTER** button to activate that field and use the **UP** and **DOWN** buttons to adjust the field. Pressing the **ENTER** button once more will confirm your setting. You may exit the main menu at any time without making any adjustments by pressing the **MODE/ESC** button.



LCD CONTROL PANEL LOCKOUT

When the **Key Lock** menu is set to **ON**, the LCD display will turn OFF after 30 seconds and the (4) button Control Panel will be LOCKED. To unlock the (4) button LCD control panel, press and hold the **MODE** button.

INFORMATION DISPLAYED DURING INITIAL POWER ON

When the fixture is initially powered ON, the display shows the following information:



ELATION CHORUS LINE ST™ - S Y S T E M M E N U

Supports Software Versions: ≥ 1.03

MAIN MENU	SUB MENU	OPTIONS / VALUES (Default Settings in BOLD)		DESCRIPTION	
Address		001 ~ XXX		Fixture DMX Address Setting	
UserMode		Standard, Basic, Extend		Set DMX Channel Mode	
Function	Status	Lost Dmx	Close/ Hold / Auto.Pro	Function If NO DMX Detected	
		Tilt Invert	ON / OFF	Tilt Reverse Movement	
		Feedback	ON /OFF	Movement Feedback	
		Move. Spd	Speed 1 ~ 4	Movement Mode Select	
		Stand By	OFF, 01M~99M, 15M	Stand By Mode	
		Hibernat	OFF, 00-99, 015	Hibernation Mode Setting	
	Fan. Set	Led Fan	Auto , High, Silent	Fan Speed Set	
	Net ID	PassWord	XXX	Service PIN 050	
		NOTE: PassWord must be entered in order to set fixture IP Address and Universe			
		DeviceIP	XXX.XXX.XXX.XXX	Enter Fixture's IP Address	
		MaskAddr	XXX.XXX.XXX.XXX	Enter Fixture's MAC Address	
		Universe	000 -255	Enter Universe Number	
	Protocol	ArtNet , sACN		Set Network Protocol	
	KlingNet	Enable , Disable		Enable/Disable KlingNet Protocol	
	Net	ON / OFF		Activate NET OUT Port.	
	LCD. Set	Backligh	02~60m 05m	LCD Backlight Shut Off Time	
		FlipDisp	ON / OFF	Flip/Reverse LCD Display 180°	
		Key Lock	ON / OFF	Control Front Panel Buttons Key Lock	
		Flash	ON / OFF	Display flashes when NO DMX	
	Temp. C/F	F/C		Temperature Switch Between F° / C°	
	Dim Mode	Standard , Stage, TV, Architec, Theatre, Stage2, 0s, 0.1s, 0.2s, 0.3s, 0.4s, 0.5s, 0.6s, 0.7s, 0.8s, 0.9s, 1.0s, 1.5s, 2.0s, 3.0s, 4.0s, 5.0s, 6.0s, 7.0s, 8.0s, 9.0s, 10.0s		Set Dimmer Mode	
	Disp. Set	ADDR	XXX	DMX Address Displayed	
		Disp.CH		Value of each Channel Displayed	
		Slave	Slave 1 , Slave 2, Slave 3	Set Slave Mode Preset	
		Auto.Pro	Alone , Master	Set Auto Program Mode	
	DimCurve	Linear , Square, InSquare, S-Curve		Set Dimmer Curve Mode	
Frequen	900/1000/1100/1200/1300/1400/1500/2500/ 4000/5000/10K/15K/20K/25K		Set LED Refresh Rate Frequency		
Pixel	Standard , Flip		Set Pixel Flip Mode		
DFSE	ON / OFF		Restore Factory Settings		
Information	TimeInfo	Current	XXXX (Hours)	Fixture Run Time From Power ON	
		Total Time	XXXX (Hours)	Fixture Total Run Time	
		Last	XXXX (Hours)	Fixture Last Run Time	
		PassWord	PIN= 050	Enter PIN to Access Clear Last. Menu	
		Clear	ON / OFF	Reset Fixture Last Run Time	
	TemplInfo	LED Temp.	XXX F° / C°	LED Temperature	
	Err. Info	Error Record 1 ~ Error Record 10		Display 10 Recent Error Messages	
	Modellnf	ChorusST		Display Model Name	
Software	1U01: - 5U01:	≥ V1.03	Software Version		
Test	Reset. M	All		Reset of Tilt and Zoom Motors	
	Test. Ch	Tilt ...		Test Functions	
	ManCtrl	Tilt=XXX		Manual Control	
	Calibrate	Password	Password= 050	Calibration of Motors and LEDs	

DMX CHANNEL FUNCTIONS AND VALUES

ELATION CHORUS LINE ST™						
DMX Channel Values / Functions (46 Total DMX Channels)						
Supports Software Versions: ≥ 1.03						
Features are subject to change without any prior written notice. *Direction of effects and Pixel Control depends on orientation of the fixture head and Tilt/Pixel Flip settings.						
MODE / CHANNEL			VALUE	FUNCTION	Default	Snap
BASIC	STANDARD	EXTEND				
1	1	1	0-255	TILT MOVEMENT [8 BIT] TILT Movement		
	2	2	0-255	TILT FINE MOVEMENT [16 BIT] Fine Control of TILT Movement		
2	3	3	0-255	RED 0 → 100%		
3	4	4	0-255	GREEN 0 → 100%		
4	5	5	0-255	BLUE 0 → 100%		
5	6	6	0-255	AMBER 0 → 100%		
		7	0-255	RED 2 0 → 100%		
		8	0-255	GREEN 2 0 → 100%		
		9	0-255	BLUE 2 0 → 100%		
		10	0-255	AMBER 2 0 → 100%		
		11	0-255	RED 3 0 → 100%		
		12	0-255	GREEN 3 0 → 100%		
		13	0-255	BLUE 3 0 → 100%		
		14	0-255	AMBER 3 0 → 100%		
		15	0-255	RED 4 0 → 100%		
		16	0-255	GREEN 4 0 → 100%		
		17	0-255	BLUE 4 0 → 100%		
		18	0-255	AMBER 4 0 → 100%		

MODE / CHANNEL			VALUE	FUNCTION	Default	Snap
BASIC	STANDARD	EXTEND				
		19	0-255	RED 5 0 → 100%		
		20	0-255	GREEN 5 0 → 100%		
		21	0-255	BLUE 5 0 → 100%		
		22	0-255	AMBER 5 0 → 100%		
		23	0-255	RED 6 0 → 100%		
		24	0-255	GREEN 6 0 → 100%		
		25	0-255	BLUE 6 0 → 100%		
		26	0-255	AMBER 6 0 → 100%		
		27	0-255	RED 7 0 → 100%		
		28	0-255	GREEN 7 0 → 100%		
		29	0-255	BLUE 7 0 → 100%		
		30	0-255	AMBER 7 0 → 100%		
		31	0-255	RED 8 0 → 100%		
		32	0-255	GREEN 8 0 → 100%		
		33	0-255	BLUE 8 0 → 100%		
		34	0-255	AMBER 8 0 → 100%		

MODE / CHANNEL			VALUE	FUNCTION	Default	Snap
BASIC	STANDARD	EXTEND				
	7	35		CTO		
			0-23	OPEN		
			24-255	CTO 2,700K - 7,000K		
6	8	36		COLOR PRESETS		
			0	OFF		
			1-4	COLOR PRESET 01		
			5-8	COLOR PRESET 02		
			9-12	COLOR PRESET 03		
			13-16	COLOR PRESET 04		
			17-20	COLOR PRESET 05		
			21-24	COLOR PRESET 06		
			25-28	COLOR PRESET 07		
			29-32	COLOR PRESET 08		
			33-36	COLOR PRESET 09		
			37-40	COLOR PRESET 10		
			41-44	COLOR PRESET 11		
			45-48	COLOR PRESET 12		
			49-52	COLOR PRESET 13		
			53-56	COLOR PRESET 14		
			57-60	COLOR PRESET 15		
			61-64	COLOR PRESET 16		
			65-68	COLOR PRESET 17		
			69-72	COLOR PRESET 18		
			73-76	COLOR PRESET 19		
			77-80	COLOR PRESET 20		
			81-84	COLOR PRESET 21		
			85-88	COLOR PRESET 22		
			89-92	COLOR PRESET 23		
			93-96	COLOR PRESET 24		
			97-100	COLOR PRESET 25		
			101-104	COLOR PRESET 26		
			105-108	COLOR PRESET 27		
			109-112	COLOR PRESET 28		
			113-116	COLOR PRESET 29		
			117-120	COLOR PRESET 30		
121-124	COLOR PRESET 31					
125-128	COLOR PRESET 32					

MODE / CHANNEL			VALUE	FUNCTION	Default	Snap
BASIC	STANDARD	EXTEND				
6	8	36		COLOR PRESETS [continued]		
			129-132	COLOR PRESET 33		
			133-136	COLOR PRESET 34		
			137-140	COLOR PRESET 35		
			141-144	COLOR PRESET 36		
			145-148	COLOR PRESET 37		
			149-152	COLOR PRESET 38		
			153-156	COLOR PRESET 39		
			157-160	COLOR PRESET 40		
			161-164	COLOR PRESET 41		
			165-168	COLOR PRESET 42		
			169-172	COLOR PRESET 43		
			173-176	COLOR PRESET 44		
			177-180	COLOR PRESET 45		
			181-184	COLOR PRESET 46		
			185-188	COLOR PRESET 47		
			189-192	COLOR PRESET 48		
			193-196	COLOR PRESET 49		
			197-200	COLOR PRESET 50		
			201-204	COLOR PRESET 51		
			205-208	COLOR PRESET 52		
			209-212	COLOR PRESET 53		
			213-216	COLOR PRESET 54		
			217-220	COLOR PRESET 55		
			221-224	COLOR PRESET 56		
			225-228	COLOR PRESET 57		
			229-232	COLOR PRESET 58		
			233-236	COLOR PRESET 59		
			237-240	COLOR PRESET 60		
			241-244	COLOR PRESET 61		
245-248	COLOR PRESET 62					
249-252	COLOR PRESET 63					
253-255	COLOR PRESET 64					
7	9	37		STROBE		
			0-31	CLOSED		
			32-63	OPEN		
			64-95	Strobe Effect SLOW → FAST		
			96-127	OPEN		
			128-159	Pulse SLOW → FAST		
			160-191	OPEN		
			192-223	Random Strobe Effect SLOW → FAST		
224-255	OPEN					

MODE / CHANNEL			VALUE	FUNCTION	Default	Snap
BASIC	STANDARD	EXTEND				
8	10	38	0-255	MASTER INTENSITY		
				CLOSE → OPEN		
9	11	39	0-255	MASTER INTENSITY FINE		
				CLOSE → OPEN		
10	12	40	0-255	ZOOM		
				Zoom MIN → MAX		
11	13	41		PROGRAM MACROS - NOTE: Color Must Be Selected To Engage Macros.		
			0	IDLE		
			1-14	OFF		
			15-30	PROGRAM MACRO 01		
			31-46	PROGRAM MACRO 02		
			47-62	PROGRAM MACRO 03		
			63-78	PROGRAM MACRO 04		
			79-94	PROGRAM MACRO 05		
			95-110	PROGRAM MACRO 06		
			111-126	PROGRAM MACRO 07		
			127-142	PROGRAM MACRO 08		
			143-158	PROGRAM MACRO 09		
			159-174	PROGRAM MACRO 10		
			175-190	PROGRAM MACRO 11		
			191-206	PROGRAM MACRO 12		
207-222	PROGRAM MACRO 13					
223-238	PROGRAM MACRO 14					
239-255	PROGRAM MACRO 15					
12	14	42	0-255	PROGRAM MACRO SPEED	128	
				SLOW → FAST Speed		
13	15	43	0-255	PROGRAM MACRO FADE	128	
				FADE SLOW → FAST		

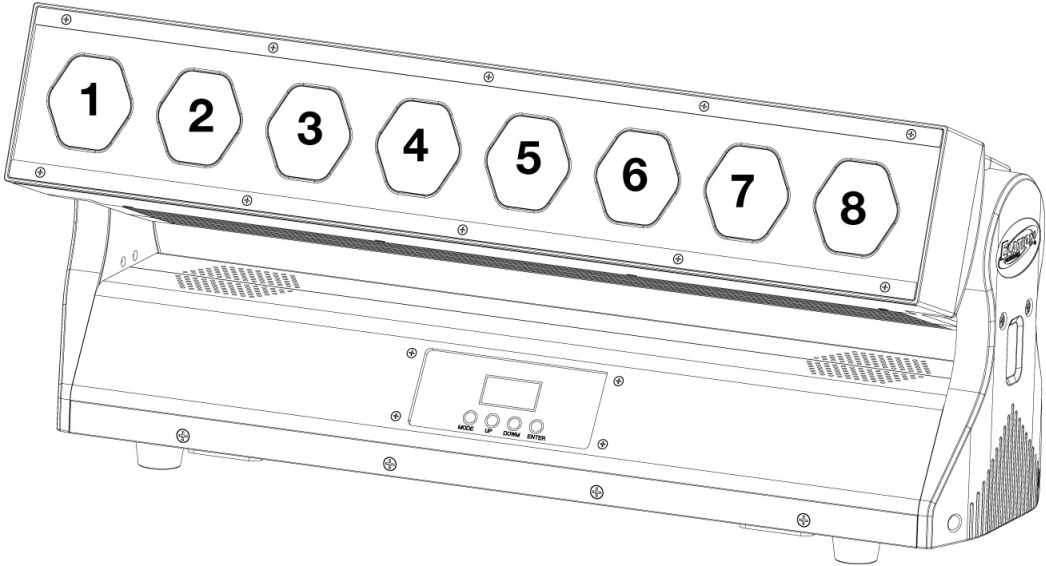
MODE / CHANNEL			VALUE	FUNCTION	Default	Snap
BASIC	STANDARD	EXTEND				
14	16	44		DIM MODES	0	X
			0-20	STANDARD		
			21-40	STAGE		
			41-60	TV		
			61-80	ARCHITECTURAL		
			81-100	THEATRE		
			101-120	STAGE 2		
				DIMMER DELAY TIME		
			121	0s		
			122	0.1s (default)		
			123	0.2s		
			124	0.3s		
			125	0.4s		
			126	0.5s		
			127	0.6s		
			128	0.7s		
			129	0.8s		
			130	0.9s		
			131	1.0s		
			132	1.5s		
			133	2.0s		
			134	3.0s		
			135	4.0s		
			136	5.0s		
			137	6.0s		
138	7.0s					
139	8.0s					
140	9.0s					
141	10s					
142 - 255	Default					
15	17	45		TILT MOVEMENT SPEED		
			0-225	MAX to MIN SPEED		
			226-235	Blackout By Movement		
			236-255	NO FUNCTION		

MODE / CHANNEL			VALUE	FUNCTION	Default	Snap
BASIC	STANDARD	EXTEND				
16	18	46		CONTROL (Hold 3s)	0	X
			0-5	IDLE		
			6-10	RESET		
			11-15	Fan Mode AUTO		
			16-20	Fan Mode HIGH		
			21-25	Fan Mode SILENT		
			25-29	Program 1		
			30-34	Program 2		
			35-39	Program 3		
			40-44	Program 4		
			45-49	Program 5		
			50-54	Program 6		
			55-59	Program 7		
			60-64	Program 8		
			65-69	Program 9		
			70-74	Program 10		
			75-79	Program 11		
			80-100	Program 12		
				CHANGE REFRESH RATE (Hz) (Hold 3s)		
			101-105	900		
			106-110	1000		
			111-115	1100		
			116-120	1200		
			121-125	1300		
			126-130	1400		
			131-135	1500		
			136-140	2500		
			141-145	4000		
			146-150	5000		
			151-155	10000		
			156-160	15000		
			161-165	20000		
			166-170	25000		
			171-200	IDLE		
				DIMMER CURVES (Hold 3s)		
			201-210	Dimmer Curve Linear (default)		
			211-220	Dimmer Curve Square		
			221-230	Dimmer Curve Inverse Square		
			231-240	Dimmer Curve S-Curve		
			241-255	IDLE		

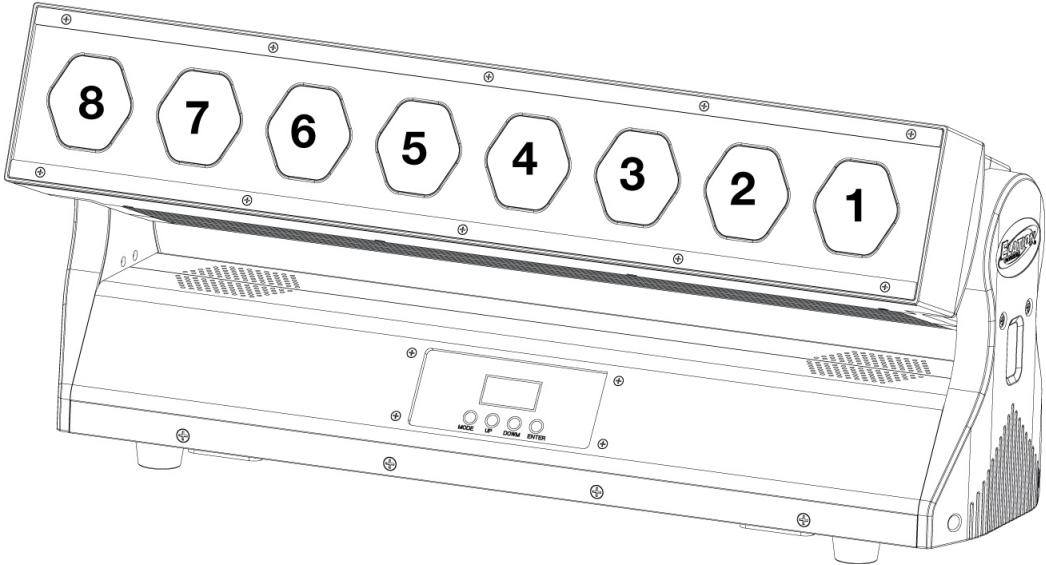
PIXEL CONTROL

The fixture features pixel control in Extended DMX channel mode. See diagram below, which illustrates the specific pixel mapping order.

STANDARD



FLIP



S P E C I F I C A T I O N S

SOURCE

(8) 40W 4-in-1 RGBA LEDs
50,000 Hour Average LED Life*

*May vary depending on several factors including but not limited to:
Environmental Conditions, Power/Voltage, Usage Patterns (On-Off Cycling), Control, and Dimming.

EFFECTS

Motorized 4° to 40° Zoom and 220° Tilt
RGBA Color Mixing and Full Pixel Control
2,700K - 7,000K Linear Color Temperature
64 Color Presets and 14 Unique Color Macros
Electronic Strobe 16-bit Variable Dimming Curve Modes

COLOR

RGBA

CONTROL / CONNECTIONS

3 DMX Channel Modes (46 total channels)
DMX, RDM, Kling-Net, and Art-Net Protocol Support
Adjustable LED Refresh Rate (900-25,000 Hz)
4 Button Touch Control Panel
180° Reversible LCD Menu Display
8 / 16-Bit Resolution Zoom and Tilt Movement
5pin DMX, RJ45 EtherCON, and powerCON Power In/Out

SIZE / WEIGHT

Length: 21.28" (540.5mm)
Width: 7.44" (189mm)
Vertical Height: 11.46" (291mm)
Weight: 25.0 lbs. (11.3 kg)

ELECTRICAL / THERMAL

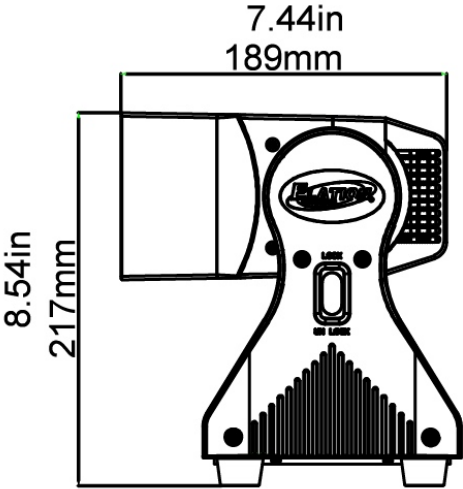
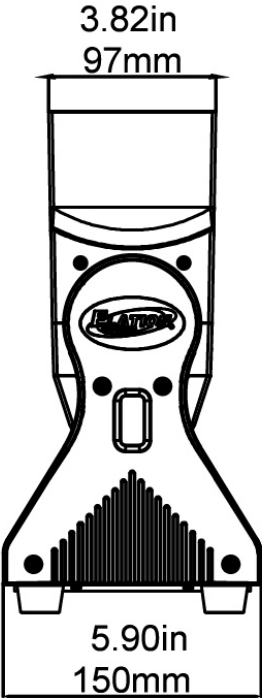
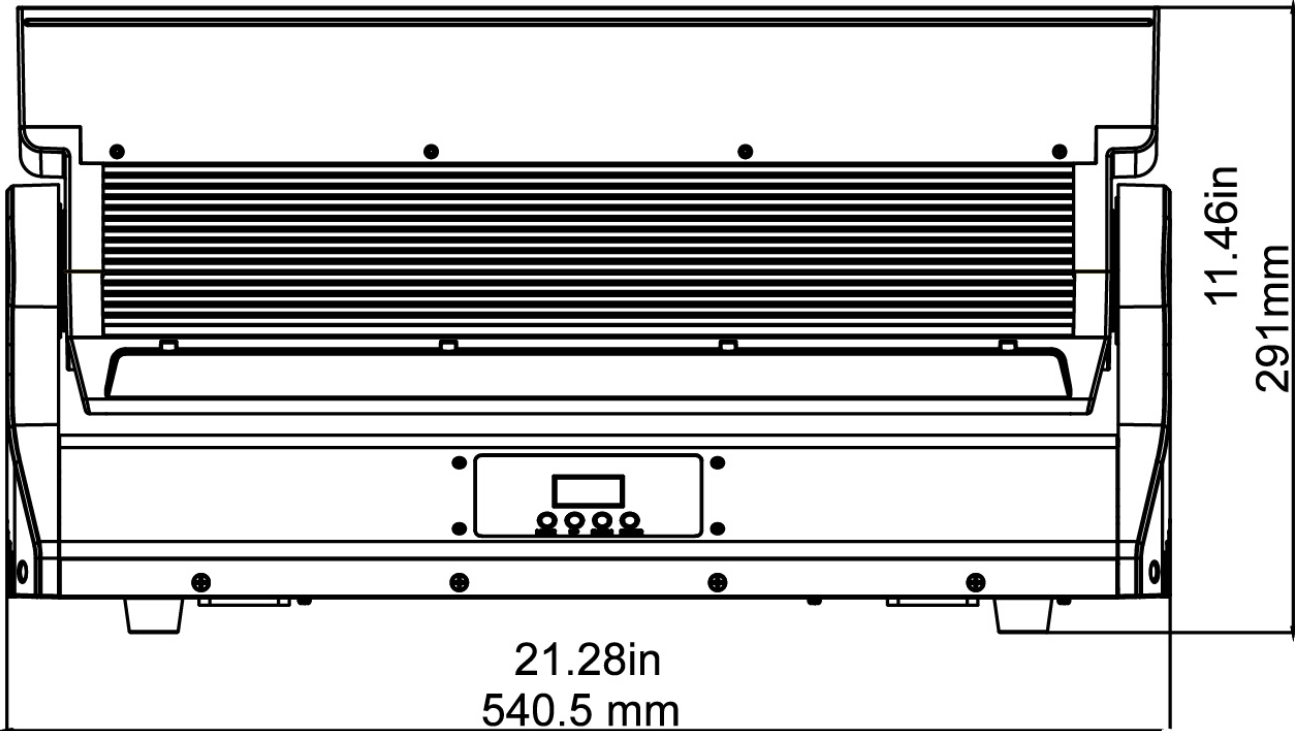
AC 100-250V - 50/60Hz
340W Max Power Consumption
5°F to 113°F (-15°C to 45°C)

APPROVALS / RATINGS

CE | IP30

Specifications and improvements in the design of this unit and this manual are subject to change without any prior written notice.

DIMENSIONAL DRAWINGS



Please Note: Specifications and improvements in the design of this unit and this manual are subject to change without any prior written notice.

OPTIONAL ACCESSORIES

ORDER CODE	ITEM
DRCCL8	6-Pack Road Case for Chorus Line 8 / ST
NARROW CLAMP	Heavy Duty Wrap Around Hook Style Clamp
SCABLE 60	60 lbs. Rating 24 Inch Safety Cable
AC5PDMX5PRO	5 ft. (1.5m) 5pin PRO DMX Cable
PLC3	3 ft. (1m) PowerCON PRO Link Cable
	Additional Cable Lengths Available

FCC STATEMENT

This device complies with Part 15 of the FCC Rules. Operation is subject to the following two conditions: (1) this device may not cause harmful interference, and (2) this device must accept any interference received, including interference that may cause undesired operation.

FCC RADIO FREQUENCY INTERFERENCE WARNINGS & INSTRUCTIONS

This product has been tested and found to comply with the limits as per Part 15 of the FCC Rules. These limits are designed to provide reasonable protection against harmful interference in a residential installation. This device uses and can radiate radio frequency energy and, if not installed and used in accordance with the included instructions, may cause harmful interference to radio communications. However, there is no guarantee that interference will not occur in a particular installation. If this device does cause harmful interference to radio or television reception, which can be determined by turning the device off and on, the user is encouraged to try to correct the interference by one or more of the following methods:

- Reorient or relocate the device.
- Increase the separation between the device and the receiver.
- Connect the device to an electrical outlet on a circuit different from which the radio receiver is connected.
- Consult the dealer or an experienced radio/TV technician for help.

