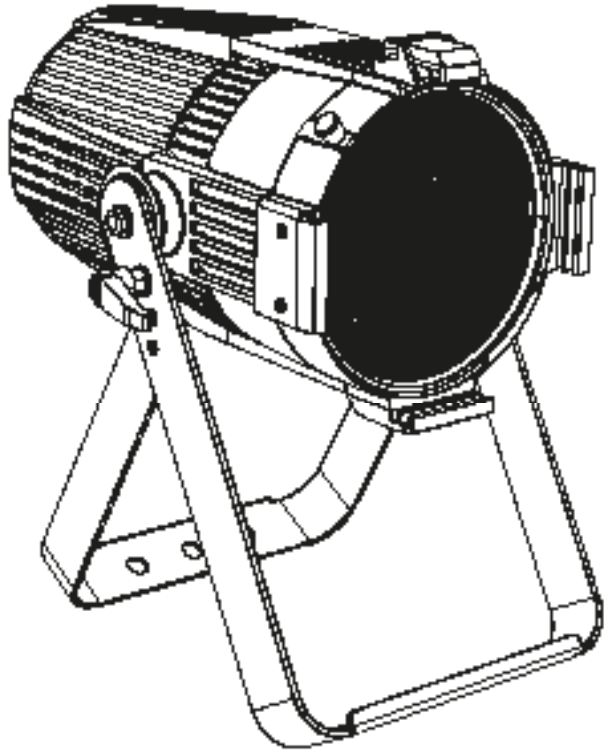


ECLPAR

SINGLE SOURCE MULTIPURPOSE LED PAR



USER MANUAL
MANUALE UTENTE

All rights reserved by Music & Lights S.r.l. No part of this instruction manual may be reproduced in any form or by any means for any commercial use.

In order to improve the quality of products, Music&Lights S.r.l. reserves the right to modify the characteristics stated in this instruction manual at any time and without prior notice.
All revisions and updates are available in the 'manuals' section on site www.musiclights.it

TABLE OF CONTENTS

Safety	
General instructions	2
Warnings and installation precautions	2
1 Introduction	
1.1 Description and specifications	3
1.2 Operating elements and connections	5
2 Installation	
2.1 Mounting	8
3 Functions and settings	
3.1 Operation	9
3.2 Basic	9
3.3 Menu structure	10
3.4 DMX mode	11
3.5 DMX configuration	11
3.6 Setting	11
3.7 Channels DMX	12
3.8 Fixture settings	13
..... Led frequency	13
..... Factory Reload	13
3.9 Fixture Information	13
3.10 Operations in automatic mode	13
..... Master/Slave	13
..... Effects	13
4 Maintenance	
4.1 Maintenance and cleaning the unit	15
4.2 Trouble shooting	15

Packing content

- ECLPARTU-DY-UV
- User manual
- Power cable
- Additional optics: 24° (on board - for TU and DY versions), 12° and 65° lens included (for TU and DY versions); 40° lens optional (for TU and DY versions) - gel frame holder included (for TU and DY versions), egg crate optional
- Other: for the UV version only the 40° lens is included. No other optics or accessories are available and should not be mounted for this version




WARNING! Before carrying out any operations with the unit, carefully read this instruction manual and keep it with care for future reference. It contains important information about the installation, usage and maintenance of the unit.



SAFETY

General instruction

- The products referred to in this manual conform to the European Community Directives and are therefore marked with **CE**.
- The unit is supplied with hazardous network voltage (230V~). Leave servicing to skilled personnel only. Never make any modifications on the unit not described in this instruction manual, otherwise you will risk an electric shock.
- Connection must be made to a power supply system fitted with efficient earthing (Class I appliance according to standard EN 60598-1). It is, moreover, recommended to protect the supply lines of the units from indirect contact and/or shorting to earth by using appropriately sized residual current devices.
- The connection to the main network of electric distribution must be carried out by a qualified electrical installer. Check that the main frequency and voltage correspond to those for which the unit is designed as given on the electrical data label.
- This unit is not for home use, only professional applications.
- Never use the fixture under the following conditions:
 - in places subject to vibrations or bumps;
 - in places with a temperature of over 45 °C.
- Make certain that no inflammable liquids, water or metal objects enter the fixture.
- Do not dismantle or modify the fixture.
- All work must always be carried out by qualified technical personnel. Contact the nearest sales point for an inspection or contact the manufacturer directly.
- If the unit is to be put out of operation definitively, take it to a local recycling  plant for a disposal which is not harmful to the environment.

Warnings and installation precautions

- If this device will be operated in any way different to the one described in this manual, it may suffer damage and the guarantee becomes void. Furthermore, any other operation may lead to dangers like short circuit, burns, electric shock, etc.
- Before starting any maintenance work or cleaning the projector, cut off power from the main supply.
- Always additionally secure the projector with the safety rope. When carrying out any work, always comply scrupulously with all the regulations (particularly regarding safety) currently in force in the country in which the fixture's being used.
- Install the fixture in a well ventilated place.
- Keep any inflammable material at a safe distance from the fixture.
- Shields, lenses or ultraviolet screens shall be changed if they have become damaged to such an extent that their effectiveness is impaired.
- The lamp (LED) shall be changed if it has become damaged or thermally deformed.
- Never look directly at the light beam. Please note that fast changes in lighting, e. g. flashing light, may trigger epileptic seizures in photosensitive persons or persons with epilepsy.
- Do not touch the product's housing when operating because it may be very hot.
- This product was designed and built strictly for the use indicated in this documentation. Any other use, not expressly indicated here, could compromise the good condition/operation of the product and/or be a source of danger.
- We decline any liability deriving from improper use of the product.

- 1 - INTRODUCTION

1.1 ECLPARTU-DY-UV - DESCRIPTION AND TECHNICAL SPECIFICATIONS

EclipsePAR is a range of multipurpose LED fixtures with a single source, delivering silent operation, high quality of light and optical flexibility, designed to redefine the standard for theatrical, TVs and corporate applications.

EclipsePARTU and DY features a 177W white LED source (3200K TU; 6000K DY) delivering a tremendous lumen output and superior light quality with CRI and R9 > of 95.

EclipsePARUV is a real UV LED luminaire with a 365nm wavelength LED source.

The fixture offers an extensive accessory range including barn doors, filter frame, egg crate and a multitude of interchangeable lenses.

EclipsePAR features a smooth 16bit dimming as well as RDM control and adjustable PWM to look good in front of a camera.

LIGHT SOURCE

- Source: 177 W white LED / 108W UV LED
- CT: (TU) 3200K - (DY) 6000K
- CRI: > 96 for TU and DY versions
- R9: > 95 for TU and DY versions
- Luminous flux: (TU) 12°: 13526 lm - 24°: 13638 lm - 65°: 12376 lm; (DY) 12°: 13571 lm - 24°: 13453 lm - 65°: 12247 lm; (UV) 229.07lm
- Lux: (TU) 12°: 15200 lux - 24°: 6560 lux - 65°: 1220 lux; (DY) 12°: 16500 lux - 24°: 6860 lux - 65°: 1230 lux; (UV) 15.9lux @3m
- Lux: (TU) 12°: 5472 lux - 24°: 2361.6 lux - 65°: 439.2 lux; (DY) 12°: 5940 lux - 24°: 2469.9 lux - 65°: 442.8 lux; (UV) 5.724lux @5m
- Source life expectancy: >70.000 h
- Other: >85 TLCl, 90/99 TM30 for TU and DY; 365nm for UV LED

OPTICS

- Beam angle: 10° / 23° / 69° with different lens included°
- Field angle: 27° / 40° / 97° with different lens included°
- Lens diameter: (24°) 162.5 - (65°) 163mm
- Lens type: fresnel lens
- Additional optics: 24° (on board - for TU and DY versions), 12° and 65° lens included (for TU and DY versions); 40° lens optional (for TU and DY versions) - gel frame holder included (for TU and DY versions), egg crate optional
- Other: 40° lens only included on board in UV version; no other lens or accessories available for UV version

DYNAMIC EFFECTS

- Static colour mode: selection of static colour
- Manual colour mode: manual adjustment of dimmer and strobe
- Auto mode: built-in programs with execution speed adjustment

BODY

- Body: aluminium die-casting
- Body colour: black

CONTROL

- Protocols: DMX512, RDM
- DMX channels: 1 / 2 / 3 / 6channel
- RDM: RDM ready for fixture remote monitor and settings
- Display: OLED display
- Firmware upgrade: yes, via USB-DMX interface (UPBOX1) not included
- Master/Slave: for synchronized operation of more units linked in a chain

ELECTRONICS

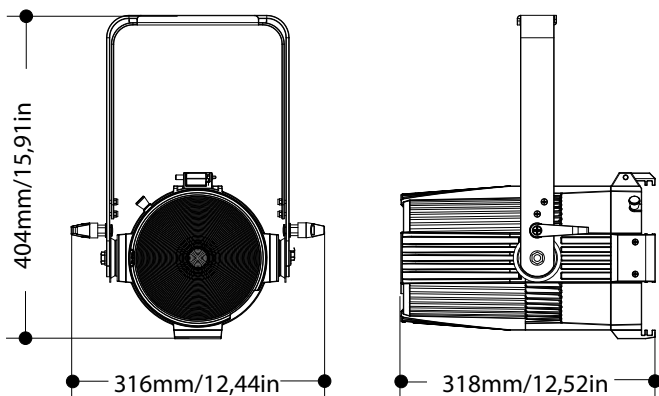
- Dimmer: linear 0~100% electronic dimmer
- Dimmer curves: different dimming curves available
- Strobe / shutter: 0 - 30 Hz, electronic
- Operating temperature: $-10^{\circ} \sim +45^{\circ}$
- Flicker: flicker free operation
- Selectable PWM: 600~25K Hz

ELECTRICAL

- Power consumption: (TU, DY) 207 W - (UV) 107 W
- Power supply: 100-240V – 50/60Hz
- Power consumption (at 230V): (TU, DY) 207 W - (UV) 127W
- Power consumption (at 120V): (TU, DY) 211 W - (UV) 134W
- Output (at 230V): (TU, DY) 12 - (UV) 16 pcs units on a single power line
- Output (at 120V): (TU, DY) 6 - (UV) 8 units on a single power line
- Power factor: pF 0.99 @ 120V - pF 0.94 @ 230V

PHYSICAL

- Cooling: forced air with low noise fan
- Sospension and fixing: any position with quick-lock omega brackets
- Signal connection: Amphenol XLR 3p + 5p IN/OUT connectors
- Power connection: Neutrik powerCON IN/OUT connectors
- IP rating: 20
- Dimensions (WxHxD): 316x318x404mm
- Weight: 5.5kg



ECLPARTU-DY-UV

Fig.1 - Technical drawing

1.2 OPERATING ELEMENTS AND CONNECTIONS

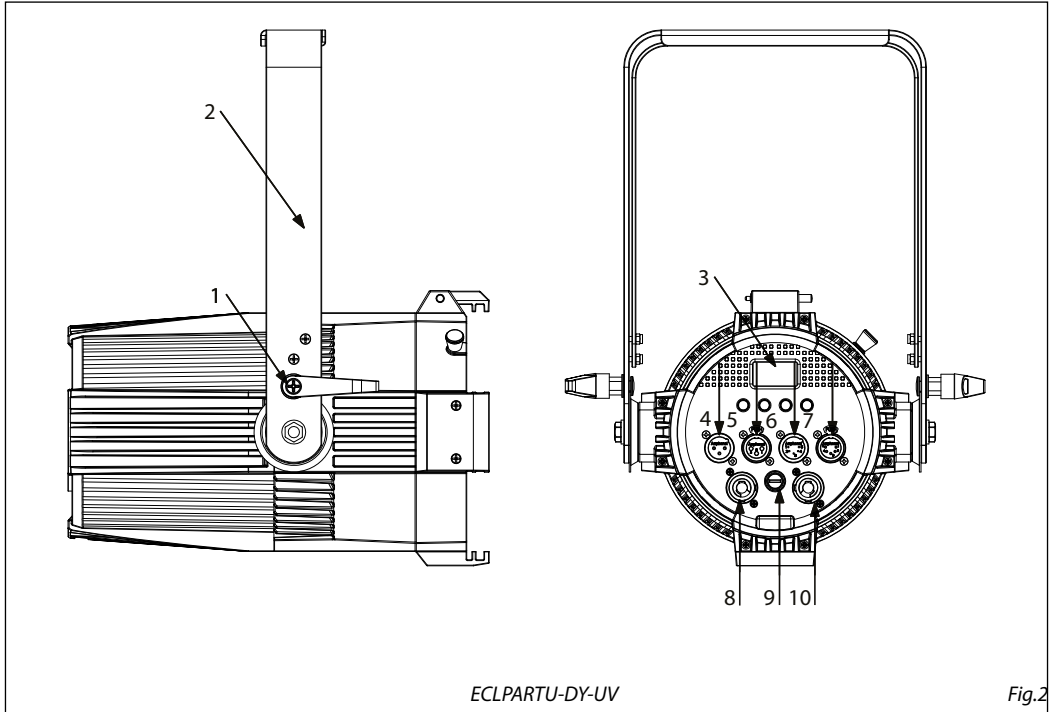


Fig.2

1. LOCKING KNOB for mounting bracket.
2. MOUNTING BRACKET.
3. CONTROL PANEL with display and 4 button used to access the control panel functions and manage them.
4. DMX IN (3-pole XLR): 1 = ground, 2 = DMX -, 3 = DMX +.
5. DMX OUT (3-pole XLR): 1 = ground, 2 = DMX -, 3 = DMX +.
6. DMX IN (5-pole XLR): 1 = ground, 2 = DMX-, 3 = DMX+, 4 N/C, 5 N/C.
7. DMX OUT (5-pole XLR): 1 = ground, 2 = DMX-, 3 = DMX+, 4 N/C, 5 N/C.
8. POWER IN (PowerCON IN): for connection to a socket (100-240V~/50-60Hz) via the supplied mains cable.
9. MAIN FUSE HOLDER: replace a burnt-out fuse by one of the same type only.
10. POWER OUT (PowerCON OUT): power output for connection of multiple units in series.

- 2 - INSTALLATION

2.1 MOUNTING

ECLPARTU-DY-UV may be set up on a solid and even surface. The unit can also be mounted upside down to a cross arm. For fixing, stable mounting clips are required. The mounting place must be of sufficient stability and be able to support a weight of 10 times of the unit's weight.

When carrying out any installation, always comply scrupulously with all the regulations (particularly regarding safety) currently in force in the country in which the fixture's being used.

- Install the projector at a suitable location by means of the mounting bracket .
- Always additionally secure the projector with the safety rope from falling down. For this purpose, fasten the safety rope at a suitable position so that the maximum fall of the projector will be 20 cm.
- Adjust the projector and use the knob to slightly release or tighten the locking mechanism of the bracket if is necessary .

NOTE - For the installation of the projector ECLPARTU-DY-UV insert the hook to stare it to a suspended system.

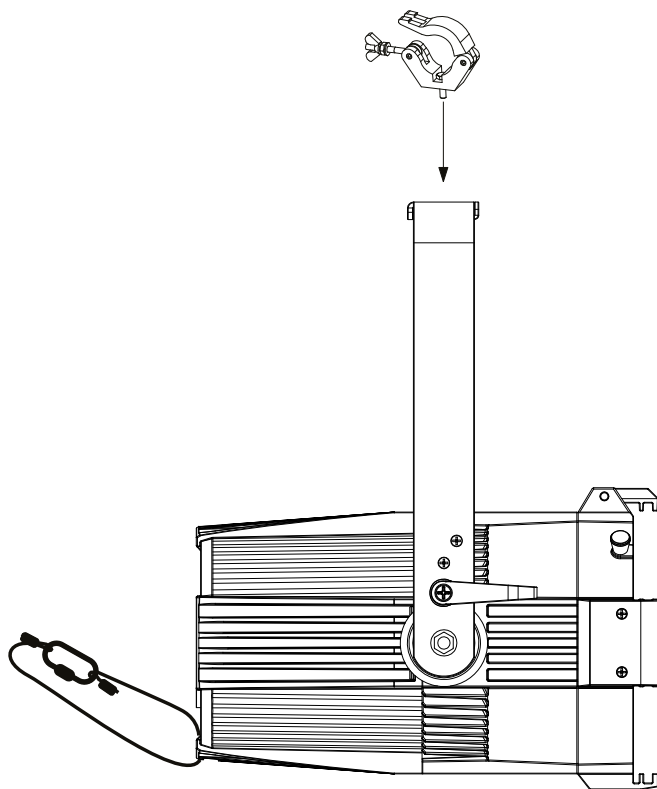


Fig.3

- 3 - FUNCTIONS AND SETTINGS

3.1 OPERATION

To turn on the ECLPARTU-DY-UV connect the supplied main cable to a socket (100-240 VAC-50/60 Hz). Then the unit is ready for operation and can be operated via a DMX controller or it independently performs its show program in succession.

To switch off, disconnect the mains plug from the socket. For a more convenient operation it is recommended to connect the unit to a socket which can be switched on and off via a light switch.

It is the responsibility of the installer to ensure the electrical, mechanical and thermal compatibility of the track system and the fittings. The connection to the main network of electric distribution must be carried out by a qualified electrical installer.

ATTENTION - Make sure to remove the tension of feeding before beginning any intervention of maintenance.

3.2 BASIC

Access control panel functions using the four panel buttons located directly underneath the LED Display (fig.4).

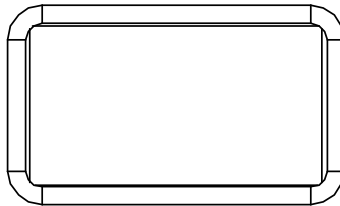


Fig.4- Functions of the buttons

MENU	UP	DOWN	ENTER
Used to access the menu or to return a previous menu option	Navigates downwards through the menu list and increases the numeric value when in a function	Navigates upwards through the menu list and decreases the numeric value when in a function	Used to select and store the current menu or confirm the current function value or option within a menu

3.3 MENU STRUCTURE

MENU				
1	CONNECT	⇒ DMX Address	⇒ Value (001-512)	
		DMX Mode	⇒ 1 Ch 2 Ch 3 Ch 6 Ch	
2	SETUP	⇒ Screen	⇒ Back Light	⇒ On 10S 20S 30S
			Flip Display	⇒ NO-Yes
			Key Lock	⇒ NO-Yes
3	ADVANCED	⇒ Dimmer Mode	⇒ Off Dimmer 1 Dimmer 2 Dimmer 3	
		Led Frequency	⇒ 600Hz 1200 Hz 2000 Hz 4000 Hz 6000Hz 25kHZ	
		Fan Mode	⇒ Auto On Off Silent	
		Factory Reload	⇒ NO-Yes	
4	INFORMATION	⇒ Fixture Hours	⇒ 0-9999	
		Version	⇒ V1.0	
		UID	⇒ 15D002****	
5	STANDALONE	⇒ Master/Slave	⇒ Master/Slave	
		Effects	⇒ Effect 1 Effect 2 Effect 3	Speed 1~100
		Static	⇒ Dimmer (000-255) Strobe (000-255)	

3.4 DMX MODE

- Press the button MENU so many times until the display shows **DMX ADDRESS**, and press the button ENTER to confirm.
- Press UP/DOWN button to select the desired value (**001-512**). Press and hold to scroll quickly.
- Press ENTER button to store.
- Press the MENU button to go back or to meet the waiting time to exit the setup menu.

To able to operate the ECLPARTU-DY-UV with a light controller, adjust the DMX start address for the first a DMX channel. If e. g. address 33 on the controller is provided for controlling the function of the first DMX channel, adjust the start address 33 on the ECLPARTU-DY-UV. The other functions of the light effect panel are then automatically assigned to the following addresses.

An example with the start address 33 is shown below:

Number DMX channels	Address of start (example)	DMX address occupied	Next possible start address for unit No. 1	Next possible start address for unit No. 2	Next possible start address for unit No. 3
6	33	33 - 38	39	44	49

3.5 DMX CONFIGURATION

ECLPARTU-DY-UV is equipped with different DMX configuration.

- Press the button MENU so many times until shows **DMX CHANNEL**, and press the button ENTER to confirm.
- Select the desired DMX configuration (**1CH - 2CH - 3CH - 6CH**) through the buttons UP/DOWN.

3.6 SETTINGS

You can change the parameters for the device by following these steps:

SCREEN

You can change the following parameters related to the display, following the same procedure:

- Press the MENU button to access the main menu.
- Press the UP / DOWN keys to scroll the menu, select the **Set Up** icon, then press the ENTER button to enter the next menu.
- Press UP / DOWN to scroll through the menu, then select **Screen**, and press the ENTER button to enter the next menu.
- Press UP / DOWN to scroll through the menu, and then select one of the following settings for the display and press the ENTER key to display it.
 - **Back Light** - Backlight display Auto Off. This feature allows you to automatically turn off the backlight after a specified time that you can set using the arrow buttons. To have the display always on select **On** or choose another value to turn off the display after the amount of time you choose.
 - **Flip Display** - Orientation of the display. This function allows you to rotate the display 180° to get a better view of the display when the unit is hanging upside down. Select **YES** to activate or **NO** to disable this function.
 - **Key Lock** - With this function, you can lock the buttons on the control panel. If this function is activated, the keys are automatically locked. To disable or temporarily disable the key lock function, press the buttons in the following order to regain access to menu commands: UP, DOWN, UP, DOWN, ENTER. Select ON to activate or OFF to disable
- Press the ENTER button to confirm your choice.
- Press the MENU button repeatedly to exit the menu and save changes.

3.7 CHANNELS DMX

1 CHANNEL

MODE 1 Ch	FUNCTION	DMX Value
1	DIMMER 0~100%	000 - 255

2 CHANNELS

MODE 2 Ch	FUNCTION	DMX Value
1	DIMMER 0~100%	000 - 255
2	STROBE NO Function Strobe Slow to Fast	000 - 010 011 - 255

3 CHANNELS

MODE 3 Ch	FUNCTION	DMX Value
1	DIMMER 0~100%	000 - 255
2	DIMMER FINE 0~100%	000 - 255
3	STROBE NO Function Strobe Slow to Fast	000 - 010 011 - 255

6 CHANNELS

MODE 6 Ch	FUNCTION	DMX Value
1	DIMMER 0~100%	000 - 255
2	DIMMER FINE 0~100%	000 - 255
3	STROBE NO Function Strobe Slow to Fast	000 - 010 011 - 255
4	AUTO PROGRAMS No Function Auto Program 1 Auto Program 2 Auto Program 3	000 - 010 011 - 085 086 - 170 171 - 255
5	AUTO SPEED Auto speed slow to fast	000 - 255
6	DIMMER SPEED MODE Preset dimmer speed from display menu Dimmer speed mode off Dimmer speed mode1 (fast speed) Dimmer speed mode2 (middle speed) Dimmer speed mode3 (slow speed)	000 - 051 052 - 101 102 - 152 153 - 203 204 - 255

3. 8 FIXTURE SETTINGS

It is possible to change the parameter value in the following way:

DIMMER

- Enter in Dimmer mode to select specific dimming curve, press the button MENU so many times until shows **DIM MODE**, and press the button ENTER to confirm.
- Press the button UP/DOWN to select **OFF - DIM1 - DIM2 - DIM3**.
- Press ENTER button to store.
- Press the MENU button to go back or to meet the waiting time to exit the setup menu.

LED FREQUENCY

- To adjust the frequency of the LEDs, press the MENU button repeatedly until the display shows **LED Frequency**, and then press the ENTER button.
- Select the frequency (**600Hz - 1200Hz - 2000Hz - 4000Hz - 6000Hz - 25kHz**) using the UP/DOWN buttons.
- To confirm, press the ENTER key.
- Press the MENU button to go back or wait a few seconds to exit the setup menu.

FAN MODE

- Select this function to set the fans operation mode. Use the arrow buttons to select **Auto, On, Off, Silent**. Press the ENTER button to confirm your choice

FACTORY RELOAD

Select this function to reset the unit to the factory settings:

- To activate **Reset Factory** display press the button MENU so many times until shows **Factory Reload**, and press the button ENTER to confirm.
- Press ENTER button to confirm the selection.
- Press the MENU button to go back or to meet the waiting time to exit from the setup menu automatically.

3. 9 FIXTURE INFORMATION

To view all the information on the device, proceed as follows:

- Press the MENU button to access the main menu.
- Press the UP/DOWN button to scroll the menu, select the icon Information, then press the ENTER button to enter the next menu.
- Press the UP/DOWN button to scroll through the menu, then select one of the following information and press the ENTER button to display it.
 - **Fixture Hours** - Through the **Fixture Time** function you can display the operating time of the projector.
 - **Software Version** - Through **Version** function you can display the currently installed software version.
 - **UID** - This option shows the RDM identification number
- Press the MENU button repeatedly to exit the menu.

3. 10 OPERATIONS IN AUTOMATIC MODE

MASTER SLAVE

Press the UP/DOWN button to scroll through the menu, select **Master/Slave** and press ENTER to confirm your choice.

- Press the UP/DOWN button to select the mode of operation:
 - **Master**, if the unit is connected in series with other units and it acts as the Master;
 - **Slave**, if the unit is not connected to other units.
- Press the ENTER button to confirm your choice.

EFFECTS

The unit independently runs through its show. Before you send an automatic program you need to set the drive as Master/Alone:

- Press the MENU button to access the main menu.
- Press the UP/DOWN button to scroll the menu, select the **Effects** icon, then press the ENTER button to enter the next menu.
- Press the UP/DOWN button to select the mode of operation: **Effects 1, Effects 2, Effects 3**
- Press the ENTER button to confirm your choice.
- Press the MENU button repeatedly to exit the menu and save changes.

The unit will go into automatic mode by executing the program automatically.

- 4 - MAINTENANCE

4.1 MAINTENANCE AND CLEANING THE UNIT

- Make sure the area below the installation place is free from unwanted persons during setup.
- Switch off the unit, unplug the main cable and wait until the unit has cooled down.
- All screws used for installing the device and any of its parts should be tightly fastened and should not be corroded.
- Housings, fixations and installation spots (ceiling, trusses, suspensions) should be totally free from any deformation.
- The main cables must be in impeccable condition and should be replaced immediately even when a small problem is detected.
- It is recommended to clean the front at regular intervals, from impurities caused by dust, smoke, or other particles to ensure that the light is radiated at maximum brightness. For cleaning, disconnect the main plug from the socket. Use a soft, clean cloth moistened with a mild detergent. Then carefully wipe the part dry. For cleaning other housing parts use only a soft, clean cloth. Never use a liquid, it might penetrate the unit and cause damage to it.

4.2 TROUBLESHOOTING

Problems	Possible causes	Checks and remedies
Fixture does not light up	<ul style="list-style-type: none"> • No mains supply • Dimmer fader set to 0 • Faulty LED 	<ul style="list-style-type: none"> • Check the power supply voltage • Increase the value of the dimmer channels • Replace the LED board
General low light intensity	<ul style="list-style-type: none"> • Dirty lens assembly • Misaligned lens assembly 	<ul style="list-style-type: none"> • Clean the fixture regularly • Install lens assembly properly
Fixture does not power up	<ul style="list-style-type: none"> • No power • Loose or damaged power cord 	<ul style="list-style-type: none"> • Check for power on power outlet • Check power cord

Contact an authorized service center in case of technical problems or not reported in the table can not be resolved by the procedure given in the table.

Music & Lights S.r.l. si riserva ogni diritto di elaborazione in qualsiasi forma delle presenti istruzioni per l'uso.
La riproduzione - anche parziale - per propri scopi commerciali è vietata.

Al fine di migliorare la qualità dei prodotti, la Music&Lights S.r.l. si riserva la facoltà di modificare, in qualunque momento e senza preavviso, le specifiche menzionate nel presente manuale di istruzioni. Tutte le revisioni e gli aggiornamenti sono disponibili nella sezione 'Manuali' sul sito www.musiclights.it

INDICE**Sicurezza**

Avvertenze generali	4
Attenzioni e precauzioni per l'installazione	4

1 Introduzione

1. 1 Descrizione e specifiche tecniche	5
1. 2 Elementi di comando e di collegamento	7

2 Installazione

2. 1 Montaggio	8
----------------------	---

3 Funzioni e impostazioni

3. 1 Funzionamento	9
3. 2 Impostazione base	9
3. 3 Struttura menù	10
3. 4 Modalità DMX	11
3. 5 Configurazione canali	11
3. 6 Impostazioni del proiettore	12
3. 7 Canali DMX	13
3. 8 Funzioni del dispositivo	13
..... Frequenza led	13
..... Factory Reload	13
3. 9 Informazioni sul dispositivo	13
3. 10 Modalità Automatica	14
..... Master/Slave	14
..... Effects	14

4 Manutenzione

4. 1 Manutenzione e pulizia del sistema ottico	15
4. 2 Risoluzione dei problemi	15

Contenuto dell'imballo:

- ECLPARTU-DY-UV
- Manuale utente
- Cavo di alimentazione
- Ottiche aggiuntive: 24° (inclusa - per versioni TU e DY), lenti 12° e 65° incluse (per versioni TU e DY); lente 40° optional (per versioni TU e DY) - telaio porta gelatina incluso (per versioni TU e DY), optional egg crate
- Altro: per la versione UV è inclusa solo l'ottica a 40°. Nessuna altra ottica o accessorio è disponibile e non deve essere montata per questa versione




ATTENZIONE! Prima di effettuare qualsiasi operazione con l'unità, leggere con attenzione questo manuale e conservarlo accuratamente per riferimenti futuri. Contiene informazioni importanti riguardo l'installazione, l'uso e la manutenzione dell'unità.



SICUREZZA

Avvertenze generali

- I prodotti a cui questo manuale si riferisce sono conformi alle Direttive della Comunità Europea e pertanto recano la sigla **CE**.
- Il dispositivo funziona con pericolosa tensione di rete 230V~. Non intervenire mai al suo interno al di fuori delle operazioni descritte nel presente manuale; esiste il pericolo di una scarica elettrica.
- È obbligatorio effettuare il collegamento ad un impianto di alimentazione dotato di un'efficiente messa a terra (apparecchio di Classe I secondo norma EN 60598-1). Si raccomanda, inoltre, di proteggere le linee di alimentazione delle unità dai contatti indiretti e/o cortocircuiti verso massa tramite l'uso di interruttori differenziali opportunamente dimensionati.
- Le operazioni di collegamento alla rete di distribuzione dell'energia elettrica devono essere effettuate da un installatore elettrico qualificato. Verificare che frequenza e tensione della rete corrispondono alla frequenza ed alla tensione per cui l'unità è predisposta, indicate sulla targhetta dei dati elettrici.
- L'unità non per uso domestico, solo per uso professionale.
- Evitare di utilizzare l'unità:
 - in luoghi soggetti a vibrazioni, o a possibili urti;
 - in luoghi a temperatura superiore ai 45°C.
- Evitare che nell'unità penetrino liquidi infiammabili, acqua o oggetti metallici.
- Non smontare e non apportare modifiche all'unità.
- Tutti gli interventi devono essere sempre e solo effettuati da personale tecnico qualificato. Rivolgersi al più vicino centro di assistenza tecnica autorizzato.
- Se si desidera eliminare il dispositivo definitivamente, consegnarlo  per lo smaltimento ad un'istituzione locale per il riciclaggio.

Attenzioni e precauzioni per l'installazione

- Se il dispositivo dovesse trovarsi ad operare in condizioni differenti da quelle descritte nel presente manuale, potrebbero verificarsi dei danni; in tal caso la garanzia verrebbe a decadere. Inoltre, ogni altra operazione potrebbe provocare cortocircuiti, incendi, scosse elettriche, rotture etc.
- Prima di iniziare qualsiasi operazione di manutenzione o pulizia sull'unità togliere la tensione dalla rete di alimentazione.
- È assolutamente necessario proteggere l'unità per mezzo di una fune di sicurezza. Nell'eseguire qualsiasi intervento attenersi scrupolosamente a tutte le normative (in materia di sicurezza) vigenti nel paese di utilizzo.
- La distanza minima tra il proiettore e le pareti circostanti deve essere superiore a 50 cm e non devono essere ostruite, in nessun caso, le aperture di aerazione.
- Installare l'unità in un luogo ben ventilato.
- Mantenere i materiali infiammabili ad una distanza di sicurezza dall'unità.
- La temperatura massima raggiungibile sulla superficie esterna dell'unità, in condizioni di regime termico, è elevata. Dopo lo spegnimento, attendere 15 minuti per il raffreddamento.
- I filtri, le lenti o gli schermi ultravioletti se danneggiati possono limitare la loro efficienza.
- I LED devono essere sostituiti se danneggiati o termicamente deformati.
- Non guardare direttamente il fascio luminoso. Tenete presente che i veloci cambi di luce possono provocare attacchi d'epilessia presso persone fotosensibili o epilettiche.
- Non toccare l'alloggiamento del prodotto quando è in funzione perché potrebbe essere molto caldo.
- Questo prodotto è stato progettato e costruito esclusivamente per l'utilizzo indicato in questa documentazione. Qualsiasi altro utilizzo non espressamente indicato potrebbe pregiudicare la funzionalità del prodotto e/o rappresentare fonte di pericolo.
- Si declina qualsiasi responsabilità derivata dall'uso improprio del prodotto.

- 1 - INTRODUZIONE

1.1 ECLPARTU-DY-UV - DESCRIZIONE E SPECIFICHE TECNICHE

EclipsePAR is a range of multipurpose LED fixtures with a single source, delivering silent operation, high quality of light and optical flexibility, designed to redefine the standard for theatrical, TVs and corporate applications.

EclipsePARTU and DY features a 177W white LED source (3200K TU; 6000K DY) delivering a tremendous lumen output and superior light quality with CRI and R9 > of 95.

EclipsePARUV is a real UV LED luminaire with a 365nm wavelength LED source.

The fixture offers an extensive accessory range including barn doors, filter frame, egg crate and a multitude of interchangeable lenses.

EclipsePAR features a smooth 16bit dimming as well as RDM control and adjustable PWM to look good in front of a camera.

SORGENTE LUMINOSA

- Sorgente: 177 W white LED / 108W UV LED
- CT: (TU) 3200K - (DY) 6000K
- CRI: > 96 for TU and DY versions
- R9: > 95 for TU and DY versions
- Flusso luminoso: (TU) 12°: 13526 lm - 24°: 13638 lm - 65°: 12376 lm; (DY) 12°: 13571 lm - 24°: 13453 lm - 65°: 12247 lm; (UV) 229.07lm
- Lux: (TU) 12°: 15200 lux - 24°: 6560 lux - 65°: 1220 lux; (DY) 12°: 16500 lux - 24°: 6860 lux - 65°: 1230 lux; (UV) 15.9lux @3m
- Lux: (TU) 12°: 5472 lux - 24°: 2361.6 lux - 65°: 439.2 lux; (DY) 12°: 5940 lux - 24°: 2469.9 lux - 65°: 442.8 lux; (UV) 5.724lux @5m
- Durata media sorgente: >70.000 h
- Altro: >85 TLCI, 90/99 TM30 for TU and DY; 365nm for UV LED

OTTICA

- Angolo di proiezione: 10° / 23° / 69° with different lens included°
- Angolo di campo: 27° / 40° / 97° with different lens included°
- Diametro: (24°) 162.5 - (65°) 163mm
- Tipo lente: lente fresnel
- Ottiche aggiuntive: 24° (on board - for TU and DY versions), 12° and 65° lens included (for TU and DY versions); 40° lens optional (for TU and DY versions) - gel frame holder included (for TU and DY versions), egg crate optional
- Altro: 40° lens only included on board in UV version; no other lens or accessories available for UV version

EFFETTI DINAMICI

- Modalità colore statico: riproduzione statica di un colore
- Modalità colore manuale: regolazione manuale dimmer e strobo
- Auto mode: programmi integrati con regolazione della velocità di esecuzione

CORPO

- Corpo: alluminio pressofuso
- Colore: nero

CONTROLLO

- Protocolli: DMX512, RDM
- Canali DMX: 1 / 2 / 3 / 6channel
- RDM: RDM ready per controllo e impostazioni remote della fixture
- Display: display OLED
- Aggiornamento firmware: si, con interfaccia USB-DMX (UPBOX1) non inclusa
- Master/Slave: per il controllo di più unità collegate in catena

ELETTRONICA

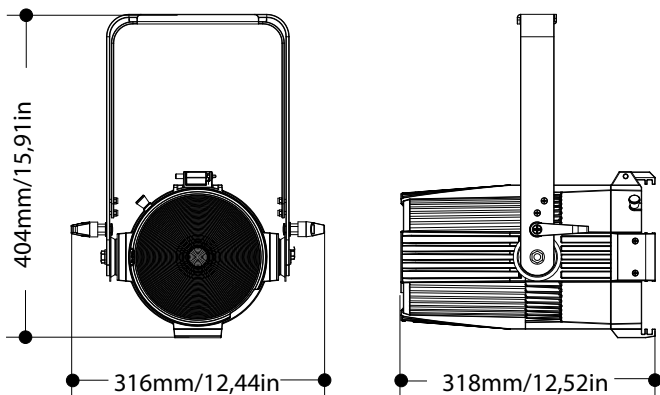
- Dimmer: 0~100% lineare, elettronico
- Curve dimmer: curve dimmer regolabili
- Strobe / shutter: 0 - 30 Hz, elettronico
- Temperatura d'esercizio: -10° ~ +45°
- Flicker: funzionamento senza sfarfallio
- PWM selezionabile: 600~25K Hz

ALIMENTAZIONE

- Potenza assorbita: (TU, DY) 207 W - (UV) 107 W
- Alimentazione elettrica: 100-240V – 50/60Hz
- Potenza assorbita (a 230V): (TU, DY) 207 W - (UV) 127W
- Potenza assorbita (a 120V): (TU, DY) 211 W - (UV) 134W
- Output (a 230V): (TU, DY) 12 - (UV) 16 pcs unità connesse in serie
- Output (a 120V): (TU, DY) 6 - (UV) 8 unità connesse in serie
- Fattore di potenza: pF 0.99 @ 120V - pF 0.94 @ 230V

CARATTERISTICHE FISICHE

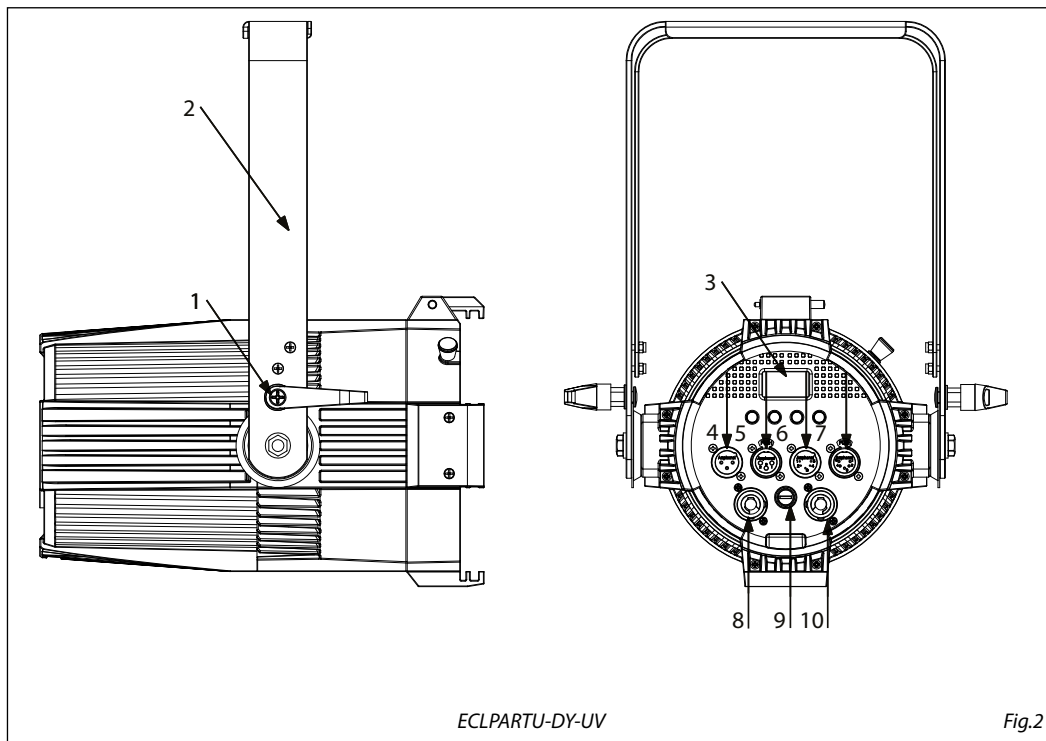
- Raffreddamento: aria filtrata forzata con ventole silenziose
- Sospensione e fissaggio: qualsiasi posizione con supporti omega (inclusi) "quicklock"
- Connessione di segnale: Amphenol XLR 3p + 5p IN/OUT connectors
- Connessione di alimentazione: Neutrik powerCON IN/OUT connectors
- Grado IP: 20
- Dimensioni (LxAxP): 316x318x404mm
- Peso: 5.5kg



ECLPARTU-DY-UV

Fig.1 - Technical drawing

1.2 ELEMENTI DI COMANDO E COLLEGAMENTI



1. MANOPOLA STAFFA.
2. STAFFA.
3. PANNELLO DI CONTROLLO con display e 4 pulsanti per accesso e gestione delle funzioni.
4. DMX IN (3-pole XLR): 1 = ground, 2 = DMX -, 3 = DMX +.
5. DMX OUT (3-pole XLR): 1 = ground, 2 = DMX -, 3 = DMX +.
6. DMX IN (XLR a 5 poli): 1= massa, 2 = DMX -, 3 = DMX +, 4 N/C, 5 N/C.
7. DMX OUT (XLR a 5 poli): 1 = massa, 2 = DMX -, 3 = DMX +, 4 N/C, 5 N/C.
8. POWER IN (PowerCON IN): per il collegamento ad una presa di rete (100-240V~/50-60Hz) tramite il cavo rete in dotazione.
9. PORTAFUSIBILE: sostituire un fusibile difettoso solo con uno dello stesso tipo.
10. POWER OUT (PowerCON OUT): collegamento per l'alimentazione all'unità successiva.

- 2 - INSTALLAZIONE

2.1 MONTAGGIO

ECLPARTU-DY-UV è stato progettato per applicazioni in campo commerciale, musei, ristoranti, chiese, teatri e qualsiasi altro ambito in cui le dimensioni rappresentano un fattore importante. L' ECLPARTU-DY-UV può essere collocato su un piano solido. Inoltre, grazie alle possibilità di fissaggio sulla doppia staffa (fig.3), l'unità può essere montata anche a testa in giù, su una traversa

Per il fissaggio occorrono dei supporti robusti per il montaggio. L'area di collocazione deve avere una stabilità sufficiente e supportare almeno 10 volte il peso dell'unità.

Inoltre assicurarsi di rispettare tutte le avvertenze in materia di sicurezza.

- Fissare il proiettore ad una collocazione idonea.
- È assolutamente necessario assicurare il proiettore contro la caduta utilizzando un cavo di sicurezza: in particolare collegare il cavo in un punto adatto in modo che la caduta del proiettore non possa superare i 20 cm. Quindi orientare il proiettore.

NOTA - Per l'installazione del proiettore ECLPARTU-DY-UV inserire il gancio o un morsetto idoneo per fissarlo ad un sistema sospeso.

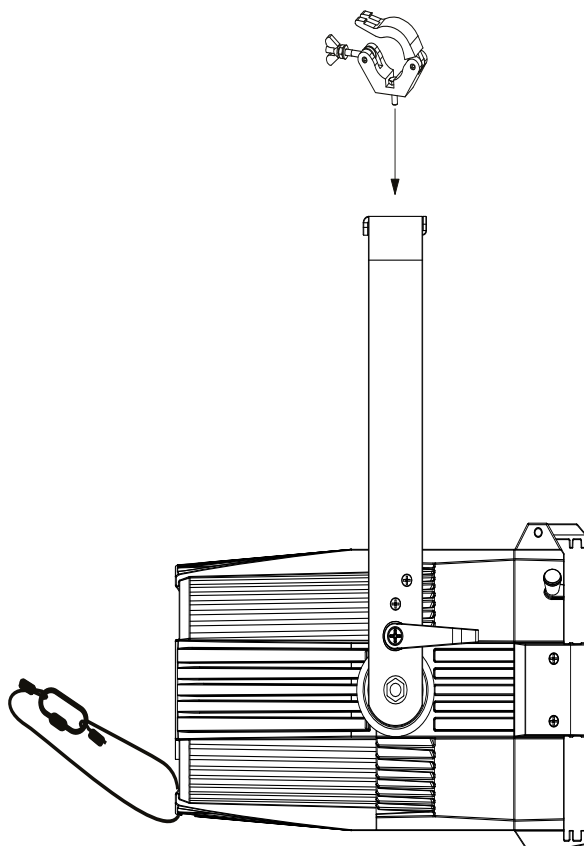


Fig.3

- 3 - FUNZIONI E IMPOSTAZIONI

3.1 FUNZIONAMENTO

Per accendere l'ECLPARTU-DY-UV, inserire la spina del cavo di alimentazione in una presa di rete (100-240V~/50-60Hz). L'unità può essere comandata da un unità DMX di comando luce oppure svolgere autonomamente il suo programma. Per spegnere l'ECLPARTU-DY-UV, staccare la spina dalla presa di rete. Per maggiore comodità è consigliabile collegare l'unità con una presa comandata da un interruttore.

È responsabilità dell'installatore garantire la compatibilità elettrica, meccanica e termica del sistema. In particolare, le operazioni di collegamento alla rete di distribuzione dell'energia elettrica devono essere effettuate da un installatore elettrico qualificato.

ATTENZIONE - Assicurarsi di togliere la tensione di alimentazione prima di iniziare qualsiasi intervento di manutenzione.

3.2 IMPOSTAZIONE BASE

Il ECLPARTU-DY-UV dispone di un display e 4 pulsanti per accesso alle funzioni del pannello di controllo (fig.4).

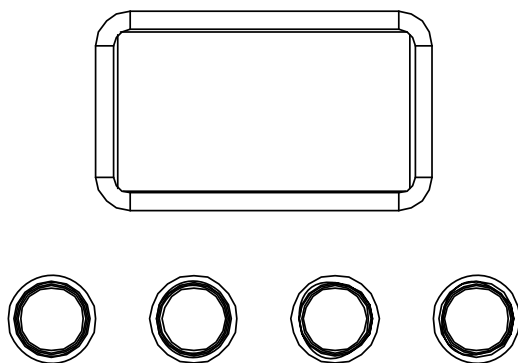


Fig.4- Funzione dei tasti

MENU	UP	DOWN	ENTER
Per scorrere il menu principale o tornare ad una opzione del menu precedente	Per scorrere attraverso le diverse funzioni in ordine discendente o aumentare il valore della funzione stessa	Per scorrere attraverso le diverse funzioni in ordine ascendente o diminuire il valore della funzione stessa	Per entrare nel menu selezionato o confermare il valore attuale della funzione o l'opzione all'interno di un menu

3.3 STRUTTURA MENU

MENU				
1	CONNECT	⇒ DMX Address	⇒ Value (001-512)	
		DMX Mode	⇒ 1 Ch 2 Ch 3 Ch 6 Ch	
2	SETUP	⇒ Screen	⇒ Back Light	⇒ On 10S 20S 30S
			Flip Display	⇒ NO-Yes
			Key Lock	⇒ NO-Yes
3	ADVANCED	⇒ Dimmer Mode	⇒ Off Dimmer 1 Dimmer 2 Dimmer 3	
		Led Frequency	⇒ 600Hz 1200 Hz 2000 Hz 4000 Hz 6000Hz 25kHZ	
		Fan Mode	⇒ Auto On Off Silent	
		Factory Reload	⇒ NO-Yes	
4	INFORMATION	⇒ Fixture Hours	⇒ 0-9999	
		Version	⇒ V1.0	
		UID	⇒ 15D002****	
5	STANDALONE	⇒ Master/Slave	⇒ Master/Slave	
		Effects	⇒ Effect 1 Effect 2 Effect 3	Speed 1~100
		Static	⇒ Dimmer (000-255) Strobe (000-255)	

3.4 MODALITÀ DMX

- Per impostare l'indirizzo DMX, premere il tasto MENU fino a quando sul display non appare **DMX ADDRESS**, quindi premere il tasto ENTER.
- Premere il tasto UP/DOWN per selezionare il valore desiderato (**001-512**); tenere premuto invece il tasto UP/DOWN per lo scorrimento veloce. Premere il tasto ENTER per confermare l'impostazione.

Per poter comandare Il ECLPARTU-DY-UV con un'unità di comando luce, occorre impostare l'indirizzo di start DMX per il primo canale DMX. Se, per esempio, sull'unità di comando è previsto l'indirizzo 33 per comandare la funzione del primo canale DMX, si deve impostare sul ECLPARTU-DY-UV l'indirizzo di start 33. Le altre funzioni del pannello saranno assegnate automaticamente agli indirizzi successivi. Segue un esempio con indirizzo 33 di start:

Numero canali DMX	Indirizzo di start (esempio)	Indirizzo DMX occupati	Prossimo indirizzo di start possibile per unità n°1	Prossimo indirizzo di start possibile per unità n°2	Prossimo indirizzo di start possibile per unità n°3
6	33	33 - 38	39	44	49

3.5 CONFIGURAZIONE CANALI DMX

Il ECLPARTU-DY-UV dispone di diverse configurazioni dei canali DMX a cui si può accedere dal pannello di controllo.

- Premere il tasto MENU fino a quando sul display non appare **DMX CHANNEL**, quindi premere il tasto ENTER.
- Attraverso i tasti UP/DOWN selezionare la configurazione dei canali DMX che si desidera (**1CH - 2CH - 3CH - 6CH**). Premere il tasto ENTER per confermare.

Le tabelle a pagina 12 indicano le modalità di funzionamento e i relativi valori DMX.

3.6 IMPOSTAZIONI DEL PROIETTORE

È possibile modificare i parametri relativi al dispositivo procedendo nel seguente modo:

SCREEN

È possibile modificare i seguenti parametri, relativi al display, seguendo la medesima procedura:

- Premere il tasto MENU per accedere al menu principale.
- Premere il tasto UP/DOWN per scorrere nel menu, selezionare **Set Up**, quindi premere il tasto ENTER per accedere al menu successivo.
- Premere il tasto UP/DOWN per selezionare **Screen** e premere il tasto ENTER per procedere.
- Selezionare l'opzione proposta con il tasto UP/DOWN e premere il tasto ENTER per confermare.
 - **Backlight** - Retroilluminazione display Auto Off. Questa funzione permette di spegnere automaticamente la retroilluminazione del display dopo un determinato tempo che può essere impostato tramite i tasti direzionali. Per avere il display sempre acceso seleziona **Always On** oppure impostare un valore tra quelli indicati per far spegnere il display una volta trascorso il tempo scelto, dopo l'uscita dal menu.
 - **Flip Display** - Orientamento del display. Questa funzione permette di ruotare il display di 180° per ottenere una migliore visualizzazione del display quando l'unità è appesa a testa in giù. Selezionare **YES** per attivare la funzione oppure **NO** per disattivarla.
 - **Key lock** - Blocco tasti. Con questa funzione è possibile bloccare i tasti del pannello di controllo, per evitare, ad esempio, manomissioni delle impostazioni. Se questa funzione viene attivata, i tasti vengono bloccati automaticamente. Per disattivare o temporaneamente o disattivare la funzione di blocco tasti, premere i tasti nel seguente ordine per riottenere l'accesso ai comandi di menu: UP, DOWN, UP, DOWN, ENTER. Selezionare ON per attivare la funzione oppure OFF per disattivarla. Premere il tasto ENTER per confermare la scelta. Premere il tasto MENU più volte per uscire dal menu e per salvare le modifiche apportate.

3.7 CANALI DMX

1 CANALE

MODE 1 Ch	FUNCTION	DMX Value
1	DIMMER 0~100%	000 - 255

2 CANALI

MODE 2 Ch	FUNCTION	DMX Value
1	DIMMER 0~100%	000 - 255
2	STROBE NO Function Strobe Slow to Fast	000 - 010 011 - 255

3 CANALI

MODE 3 Ch	FUNCTION	DMX Value
1	DIMMER 0~100%	000 - 255
2	DIMMER FINE 0~100%	000 - 255
3	STROBE NO Function Strobe Slow to Fast	000 - 010 011 - 255

6 CANALI

MODE 6 Ch	FUNCTION	DMX Value
1	DIMMER 0~100%	000 - 255
2	DIMMER FINE 0~100%	000 - 255
3	STROBE NO Function Strobe Slow to Fast	000 - 010 011 - 255
4	AUTO PROGRAMS No Function Auto Program 1 Auto Program 2 Auto Program 3	000 - 010 011 - 085 086 - 170 171 - 255
5	AUTO SPEED Auto speed slow to fast	000 - 255
6	DIMMER SPEED MODE Preset dimmer speed from display menu Dimmer speed mode off Dimmer speed mode1 (fast speed) Dimmer speed mode2 (middle speed) Dimmer speed mode3 (slow speed)	000 - 051 052 - 101 102 - 152 153 - 203 204 - 255

3.8 FUNZIONI DISPOSITIVO

Per il ECLPARTU-DY-UV è possibile accedere alle seguenti funzioni dispositivo:

DIMMER

- Per entrare nella modalità dimmer e scegliere e simulare diverse curve dimming, scorrere nel menu, selezionare l'icona **Advanced**, scorrere nel MENU fino a quando sul display non compare **Dim Mode**, quindi premere il tasto ENTER.
- Premere il tasto UP/DOWN per selezionare (**OFF - DIM1 - DIM2 - DIM3**).
- Premere il tasto ENTER per confermare la scelta.
- Premere il tasto MENU per tornare indietro o attendere alcuni secondi per uscire dal menu di impostazione.

FREQUENZA LED

- Per regolare la frequenza dei LED, premere il tasto MENU ripetutamente fino a quando sul display non compare **Led Frequency**, quindi premere il tasto ENTER.
- Selezionare il valore della frequenza (**600Hz - 1200Hz - 2000Hz - 4000Hz - 6000Hz - 25kHz**) attraverso i tasti UP/DOWN.
- Per confermare premere il tasto ENTER.
- Premere il tasto MENU per tornare indietro o attendere alcuni secondi per uscire dal menu di impostazione.

FAN MODE

- Per impostare la modalità di funzionamento delle ventole, premere il tasto MENU ripetutamente fino a quando sul display non compare **Fan Mode**, quindi premere il tasto ENTER.
- Premere il tasto UP/DOWN per selezionare **Auto, On, Off, Silent**.
- Premere il tasto ENTER per confermare la scelta.
- Premere il tasto MENU per tornare indietro o attendere alcuni secondi per uscire dal menu di impostazione.

FACTORY RELOAD

Selezionare questa funzione per ripristinare l'unità alle impostazioni di fabbrica:

- Premere il tasto MENU per accedere al menu principale.
- Premere il tasto UP/DOWN per selezionare **Factory Reload** e premere il tasto ENTER per procedere.
- Premere i tasti UP/DOWN per selezionare **Yes** oppure **No**, quindi premere il tasto ENTER per confermare.

3.9 INFORMAZIONI SUL DISPOSITIVO

Per visualizzare tutte le informazioni sul dispositivo procedere nel seguente modo:

- Premere il tasto MENU per accedere al menu principale.
- Premere il tasto UP/DOWN per selezionare l'icona **Information**, quindi premere il tasto ENTER per accedere al menu successivo.
- Premere il tasto UP/DOWN per scorrere nel menu, quindi selezionare una delle seguenti informazioni e premere il tasto ENTER per visualizzarla.
 - **Fixture Hours** - Attraverso la funzione **Fixture Hours** è possibile visualizzare sul display il tempo di funzionamento del proiettore.
 - **Software Version** - Attraverso la funzione **Version** è possibile visualizzare sul display la versione del software installata.
 - **UID** - Selezionare la funzione UID per visualizzare l'ID identificativo per il controllo RDM.
- Premere il tasto MENU più volte per uscire dal menu.

3.10 OPERAZIONI IN MODALITÀ AUTOMATICA

MASTER/SLAVE

Master/Slave muoversi con il tasto UP/DOWN, quindi confermare la scelta con il tasto ENTER.

- **Master**, se l'unità è collegata in serie ad altre unità ed essa svolge la funzione di Master;
 - **Slave**, se l'unità non è collegata ad altre unità.
- Premere il tasto ENTER per confermare la scelta.

EFFECTS

L'unità può svolgere il suo programma Show autonomamente. Prima di inviare un programma automatico in esecuzione è necessario impostare l'unità come Master/Alone:

- Premere il tasto MENU per accedere al menu principale.
 - Premere il tasto UP/DOWN per scorrere nel menu, selezionare **Effects**, quindi premere il tasto ENTER per accedere al menu successivo :
 - Premere il tasto UP/DOWN per selezionare la modalità di funzionamento: **Effects 1, Effects 2, Effects 3**
 - Premere il tasto ENTER per confermare la scelta e successivamente selezionare la velocità.
 - Premere il tasto MENU più volte per uscire dal menu e per salvare le modifiche apportate.
- L'unità entrerà in modalità automatica mandando in esecuzione il programma automatico.

- 4 - MANUTENZIONE

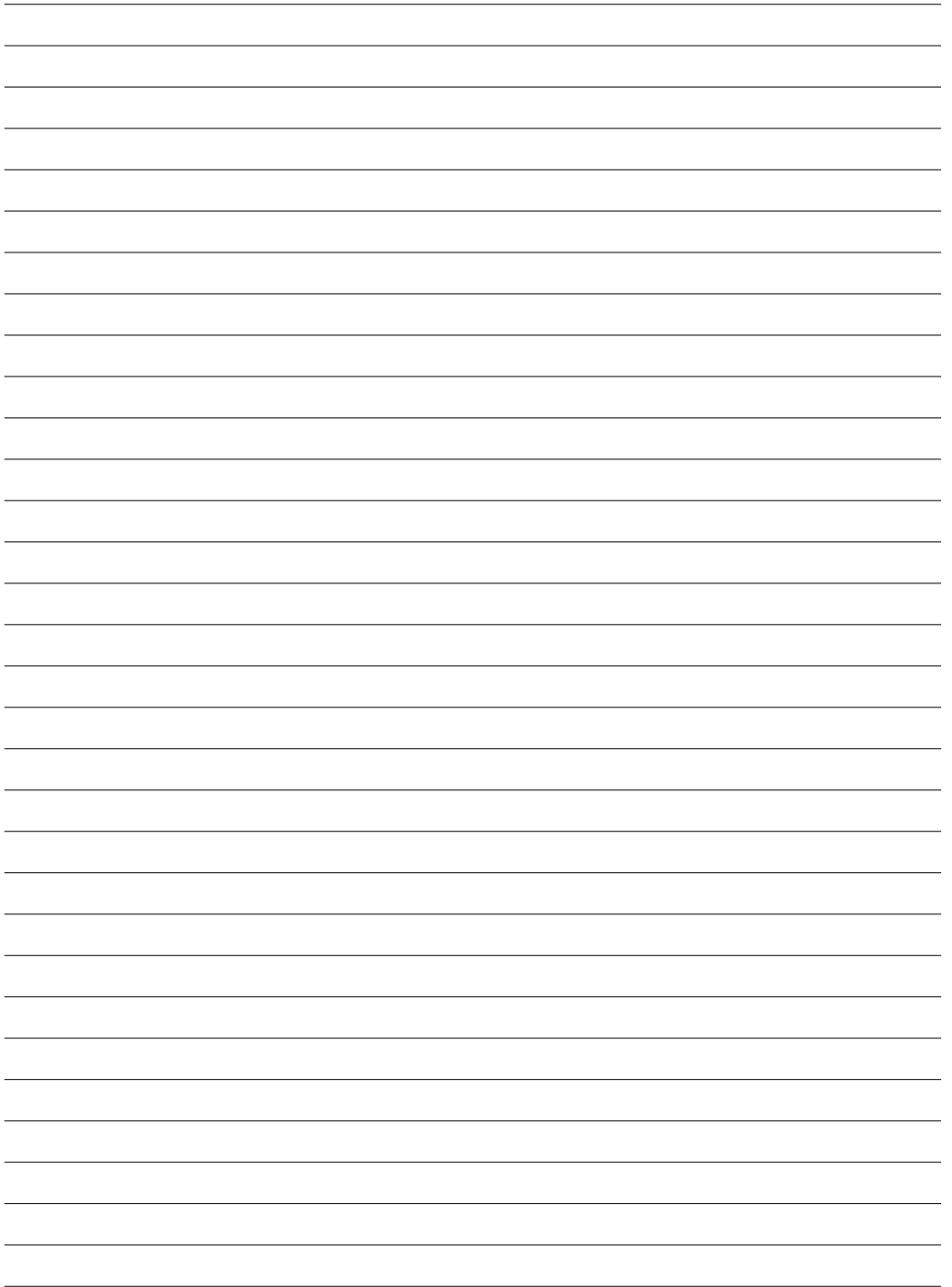
4.1 MANUTENZIONE E PULIZIA DEL SISTEMA OTTICO

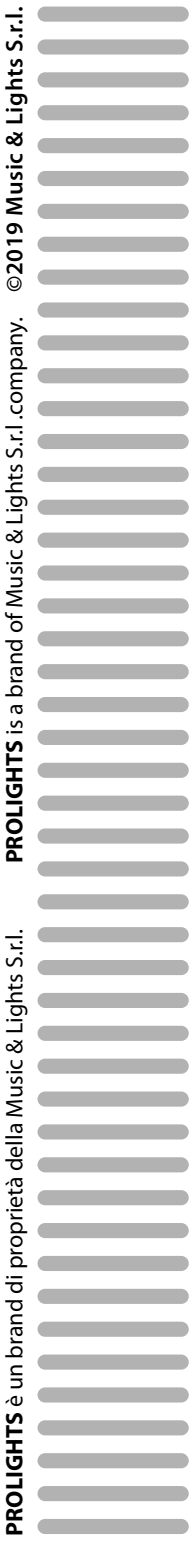
- Durante gli interventi, assicurarsi che l'area sotto il luogo di installazione sia libera da personale non qualificato.
- Spegnerne l'unità, scollegare il cavo di alimentazione ed aspettare finché l'unità non si sia raffreddata.
- Tutte le viti utilizzate per l'installazione dell'unità e le sue parti devono essere assicurate saldamente e non devono essere corrose.
- Alloggiamenti, elementi di fissaggio e di installazione (soffitto, truss, sospensioni) devono essere totalmente esenti da qualsiasi deformazione.
- I cavi di alimentazione devono essere in condizione impeccabile e devono essere sostituiti immediatamente nel momento in cui anche un piccolo problema viene rilevato.
- Si dovrebbe procedere, ad intervalli regolari, alla pulizia della parte frontale per asportare polvere, fumo e altre particelle. Solo così, la luce può essere irradiata con la luminosità massima. Per la pulizia usare un panno morbido, pulito e un detergente per vetri come si trovano in commercio. Quindi asciugare le parti delicatamente.

4.2 RISOLUZIONE DEI PROBLEMI

Anomalie	Possibili cause	Controlli e rimedi
Il proiettore non illumina	<ul style="list-style-type: none"> • Mancanza di alimentazione di rete • Dimmer impostato a 0 • LED difettoso/i 	<ul style="list-style-type: none"> • Verificare la presenza della tensione alimentazione • Incrementare i valori del canale dimmer • Sostituire scheda LED
Bassa intensità di luce generale	<ul style="list-style-type: none"> • Lenti sporche • Lente disallineata 	<ul style="list-style-type: none"> • Pulire il dispositivo regolarmente • Installare il gruppo ottico correttamente
Il proiettore non è alimentato	<ul style="list-style-type: none"> • Mancanza di alimentazione di rete • Cavo di alimentazione danneggiato 	<ul style="list-style-type: none"> • Verificare la presenza della tensione alimentazione • Controllare il cavo di alimentazione

Rivolgersi a un centro di assistenza tecnico autorizzato nel caso in cui il problema non sia riportato in tabella.





PROLIGHTS è un brand di proprietà della Music & Lights S.r.l. **PROLIGHTS** is a brand of Music & Lights S.r.l. company. ©2019 Music & Lights S.r.l.