

 K-9 Lights

www.k9lights.com

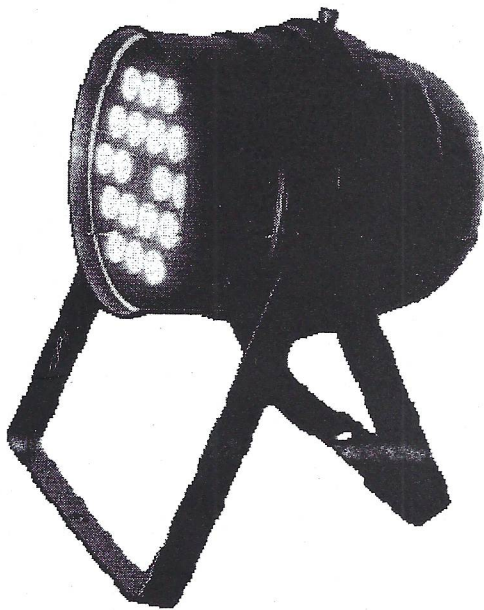
USER MANUAL

K-9 Lights

BULLDOG 2

LED PAR64

RGBAW



———— K-9 Lights—Professional Stage Lighting ————

Index

Introduction3

Safety Instruction.....3

Fixture Diagram.....4

Features.....4

DMX Control.....5

Display7

Menu.....8

Connecting Fixtures10

Optional Accessories.....11

Technical Specifications.....12

Introduction

Thank you for purchasing the K-9 Bulldog 2 LED PAR64 fixture. Please read these instructions carefully before using or operating the fixture to avoid any possible damage or accidents.

➤ Product Introduction

The K-9 Bulldog 2 is a high power 5-in-1 LED PAR 64 fixture, using 8W RGBAW cells. Each color can be independently controlled including, dimming, strobe, gradual change, and fading. The fixture also includes slave functionality and DMX addressing.

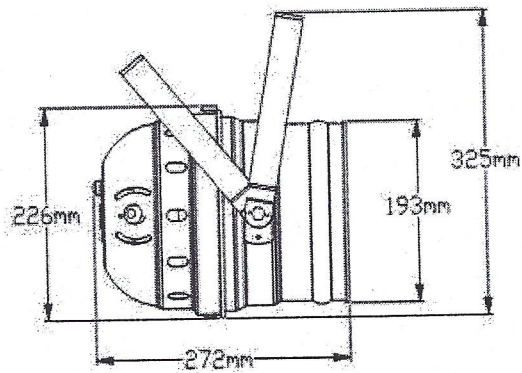
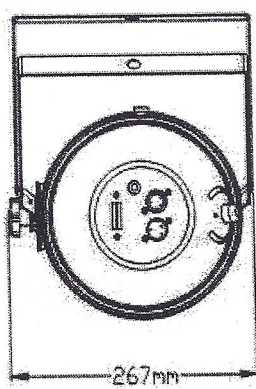
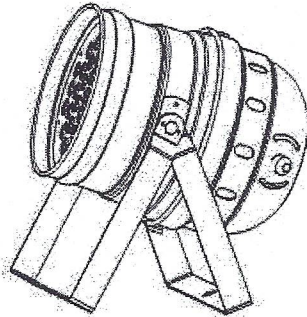
➤ Packing list

- LED PAR 64 fixture
- 5' Data cable
- User manual

Safety Information

- No user serviceable parts inside. Speak with a skilled professional before attempting any repair.
- Disconnect from the power source before setting up or moving.
- Avoid direct eye exposure to the fixture when it is on.
- Make sure the power supply voltage is consistent with this light, rated at 110v/60hz
- This light is designed for indoor use. Working temperature should be lower than 100°F.
- The fixtures may be mounted in any position provided there is adequate room for ventilation. Make sure there are no flammable or explosive items within 2 feet of fixture.
- Grounding is important for proper fixture operation.
- If your Bulldog 2 is in a continuous use environment with atmospheric particulates like fog, smoke or dirt, be sure to inspect and clean the fan with compressed air as necessary.

Fixture Diagram



Bulldog 2 LED PAR 64

Features

- High quality LED: low power consumption, bright 10 watt LEDs, even field, and long life
- Fully dimmable 0 – 100%
- Adjustable strobe rate
- DMX controlled, addressable from the LED display

- Auto run / sound activated / master slave / interconnected multi control
- Uses switching power supply to protect LEDs
- Lens degree: 25°? 45°? 60° optional
- DMX512 – Channel Modes – 4, 5, 9, or 10
- Body color: black (white optional)

DMX Control

➤ DMX Channel(4CH)

Channel	DMX Value	Control Function	Remarks
1CH	0-255	RGB color mixing	Hue
2CH	0-255	A Dimming 0-100%	
3CH	0-255	W Dimming 0-100%	Color Saturation
4CH	0-255	General dimming 0-100%	purity

➤ DMX Channel(5CH)

Channel	DMX Value	Control Function	Remarks
1CH	0-255	R 0-100%	
2CH	0-255	G 0-100%	
3CH	0-255	B 0-100%	
4CH	0-255	A 0-100%	
5CH	0-255	W 0-100%	

➤ DMX Channel(9CH)

Channel	DMX Value	Control Function	Remarks	Priority
1CH	0-255	(General dimming)		1
2CH	0-255	Red dimming 0—100%		
3CH	0-255	Green dimming 0—100%		
4CH	0-255	Blue dimming 0—100%		
5CH	0-255	Amber dimming 0—100%		
6CH	0-255	White 0—100%		

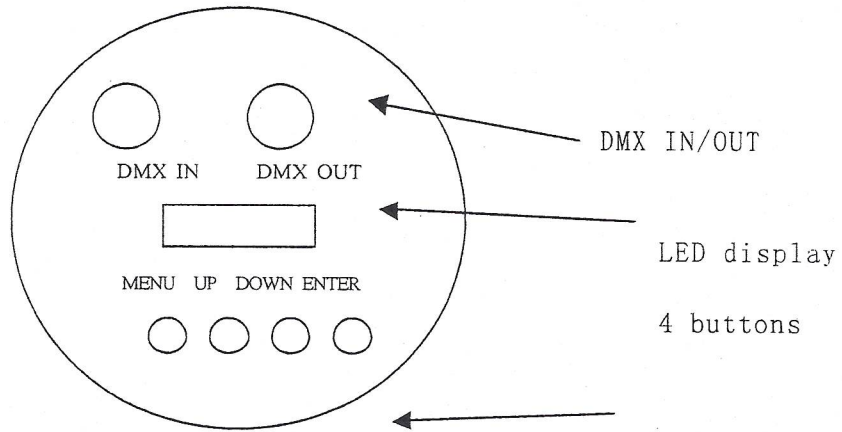
7CH	0-14	Dimming		2
	15-255	Strobe Speed		
8CH	0-31	Invalid	32-127, Must use CH1,2,3,4,5CH, otherwise no light. From the 9CH, start the speed adjustment.	3
	32-63	From dark to bright		
	64-95	From bright to dark		
	96-127	From dark—bright—dark		
	128-164	RGB Gradient		
	165-191	dark—bright—dark auto run		
	192-223	Multi-colors jumping change		
224-255	Sound control			
9CH	0-255	Speed Adjustment, slow-fast		

➤ DMX Channel (10CH)

Channel	DMX Value	Control Function	Remarks	Priority
1CH	0-255	(General dimming)		1
2CH	0-255	Red dimming 0—100%		
3CH	0-255	Green dimming 0—100%		
4CH	0-255	Blue dimming 0—100%		
5CH	0-255	Amber dimming 0—100%		
6CH	0-255	White 0—100%		
7CH	0-14	Dimming		2
	15-255	Strobe Speed		
8CH	0-31	Invalid	32-127, Must use CH1,2,3,4,5CH, otherwise no light. From the 9CH, start the speed adjustment.	3
	32-63	From dark to bright		
	64-95	From bright to dark		
	96-127	From dark—bright—dark		
	128-164	RGB Gradient		
	165-191	dark—bright—dark auto run		
	192-223	Multi colors jumping change		
	224-255	Sound control		

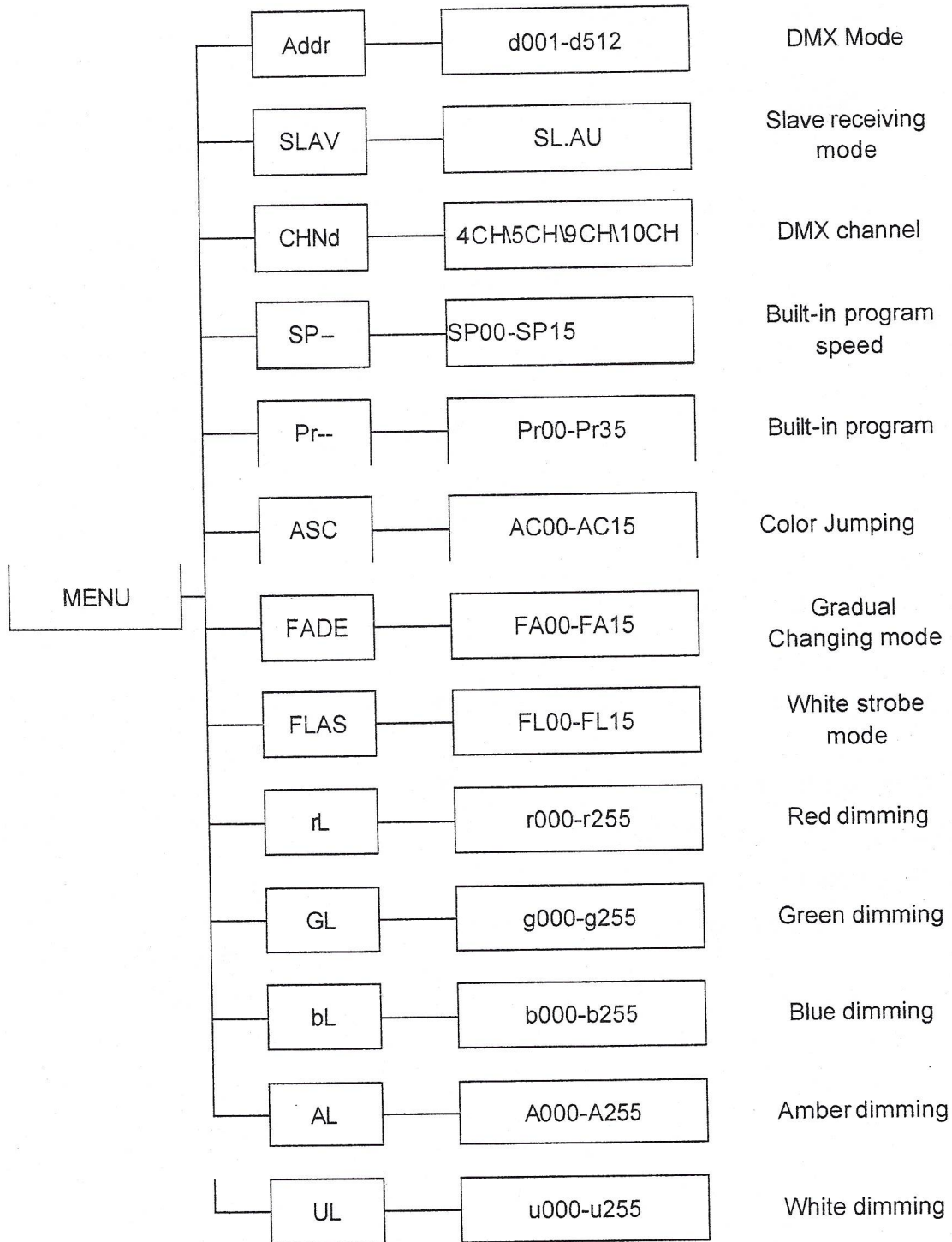
9CH	0-255	Speed Adjustment, slow-fast	
10CH	0-5 6-55 56-105 106-155 156-205 206-255	Set by LED display DIMMER0 DIMMER1 DIMMER2 DIMMER3 DIMMER4	

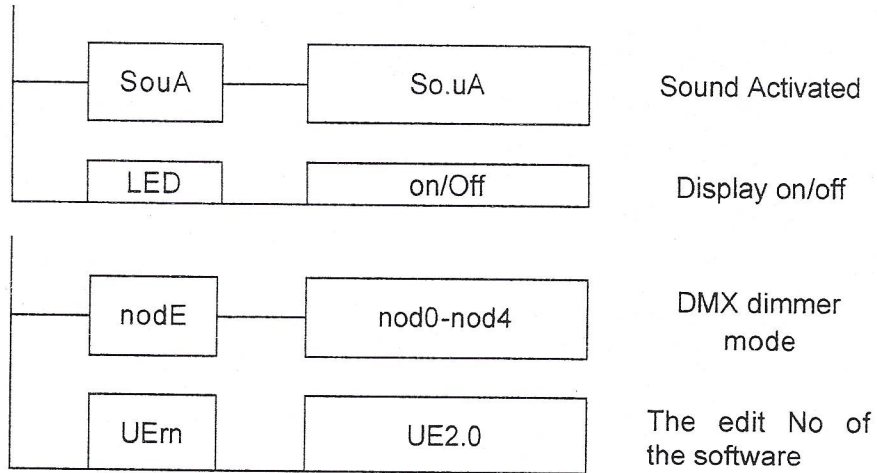
Display



- MENU : access the menu or return to a previous menu option
- ENTER: select the current menu option
- UP: menu selection or parameter increments
- DOWN: menu selection or parameters decrease

Menu





Operating instruction:



MENU (UP/DOWN) +ENTER+UP/DOWN) +ENTER

Remark: Exp: Select the DMX mode, Here are the operation details:

- Press the MENU, go back to the initial setting
- Press UP/DOWN, display "Addr"
- Press ENTER to change the content, the display will flash at this moment
- Press UP/DOWN to change the address code to select d001
- Press ENTER to select and store the current menu options. DMX mode will be

stored automatically and the screen will stop flashing.

Exp: Select DMX Channels optional mode, the operation is as below:

- Press MENU, go back to the initial setting
- Press UP/DOWN, display "CHnd"
- Press ENTER to change the content, the display will glinting at this moment
- Press UP/DOWN to select the DMX channels that you need, 3CH?4CH?5CH and so on
- Press ENTER for 10 seconds to select and store the current menu options. DMX channel will be

stored automatically and the screen will stop glinting.

Exp : turn off the display, the operation is as below:

- Press MENU, go back to the initial setting
- Press UP/DOWN, display "LED"
- Press ENTER to change the content, the display will flash at this moment
- Press UP/DOWN to select "OFF"
- Press ENTER to confirm, then select the working mode that you need. When stop pressing, the display will turn off after a while. When the display is off, press any button to activate the display. If setting the led to "off", when stop pressing, the display will turn off after a while.

2? Details of program built inside (Pr- -)

Press MENU, go back to the initial setting

- Press UP / DOWN until Pr--
- Press ENTER to choose, the display will flash at this moment
- Press UP / DOWN to change the address code to select pr00
- Press ENTER to select and store the current menu options. DMX mode will be

stored automatically and the screen will stop flashing.

Remark: Pr32--- Pr35 Can change the content Of SP, correct the speed of jumping change , SP00 is the fastest, SP15 is the slowest

- Pr00-Pr31 : R,G,B,A,W single color or multi-colors mixing
- Pr32: 5 colors jumping change
- Pr33: 5 colors jumping change +strobe
- Pr34: multiple colors jumping change
- Pr35: multiple colors jumping change +strobe

➤ **Master/Slave**

Multiple fixtures can be operated simultaneously without a control board by connecting each fixture with DMX control cable and using one fixture as "Master" and the others as "Slave".

The "Master" fixture will then synchronize with the "Slave" units.

To use this feature, make sure there is nothing plugged into the "DMX IN" on the fixture "Master". Daisy-chain from the "Master" "DMX OUT" to the "Slave" fixtures. Set the DMX address on every "Slave" unit to A001. Only one light within a group can serve as "Master".

If the length of DMX data cables extend more than 180' or there are more than 20 fixtures being used as "Slaves", the DMX signal will need to be boosted.

Connecting Fixtures

➤ XLR cable :

Using 5-Pin data cable, connect the male end to your console, and the female end to the "DMX IN" connector on your fixture. Using additional data cable, you can connect a string of fixtures by feeding from "DMX OUT" on one fixture to "DMX IN" on each additional fixture in the chain.

DMX signal must "daisy-chain". The use of a "Y" adapter to split the signal will cause the fixtures to function incorrectly.

Optional Accessories

Item	Part #
5 Pin to 3 Pin Data Cable Adapter	WIR 5PM3PF
C-Clamp	ACC CC
Safety Cable	HRD SAFE
3 Pin Data Cables (10')	WIR 3010

Technical Specification

- ? Input voltage: AC 100V-264V/47-63HZ
- ? Output voltage:DC24V
- ? Consume:180W
- ? Lamp Type: High Power LED(10W)
- ? Lamp Spec5-in-1 10W(18PCS)
- ? Constant current driver:500MA
- ? PWM Dimmer:» 400HZ(16666 steps)
- ? Life span: 50000hours
- ? Control Signal: DMX512, sound activated, auto run
- ? Control mode : stand alone/ sound activated
- ? Channel: 4CH? 5CH? 9CH? 10CH
- ? Color effect: RGBAW mixing
- ? Function Effect: dimmer, strobe, gradual change, sound activated
- ? Beam Angle: 25°,45°,60°
- ? Cooling mode: fan cooling
- ? Size: 220*270*350mm
- ? Net Weight:3.5KG



K-9 Lights