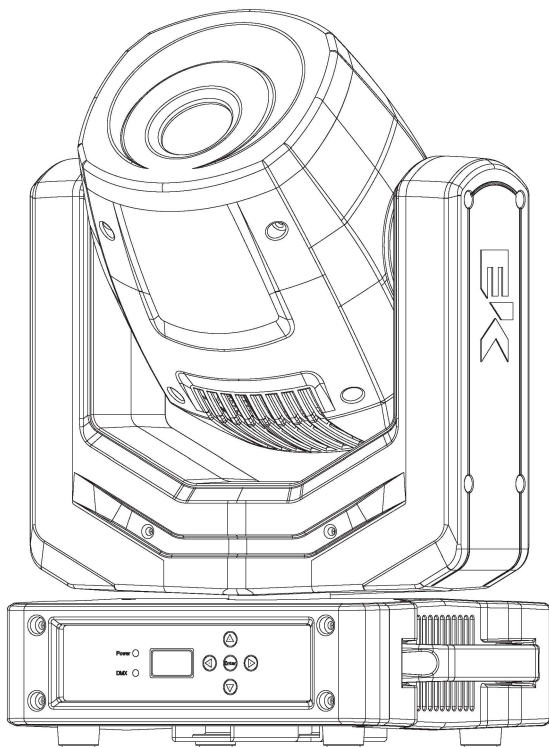


SHOWPRO



EK

E3 spot

USER MANUAL

TABLE OF CONTENTS

SAFETY	01
DIMENSIONS	02
DESCRIPTION	03
INTRODUCTION	03
POWER LINKING	05
PHOTOMETRICS	05
DMX CONNECTION	06
GOBO MOUNTING AND REPLACEMENT	07
TECHNICAL SPECIFICATIONS	08
FUNCTION MENU	09
MENU DESCRIPTION	10
DMX CHANNELS	12
TROUBLESHOOTING	17

**WARNING**

Before carrying out any operations with the unit, carefully read this instruction manual and keep it for future reference. It contains important information about the installation, usage and maintenance of the unit.

SAFETY

General Instructions

The products referred to in this manual conform to the European Community Directives.

Leave servicing to skilled personnel only.

Never make any modifications on the unit not described in this instruction manual.

Connection must be made to a power supply system fitted with efficient earthing (Class I appliance according to standard EN 60598-1).

This unit is not for home use, only professional applications.

Never use the fixture under the following conditions:

- in wet conditions;
- in places subject to vibration;
- in places with an ambient temperature of over 45°C

Make certain that no inflammable liquids, water or metal objects enter the fixture.

All work must always be carried out by qualified technical personnel. Contact the nearest sales point for an inspection or contact the manufacturer directly.

If the unit is to be put out of operation definitively, take it to a local recycling plant for a disposal

Warnings and installation precautions

If this device will be operated in any way different to the one described in this manual, it may suffer damage and the guarantee becomes void.

Before starting any maintenance work or cleaning the projector, cut off power from the main supply.

Always secure the projector with safety rope when mounting. When carrying out any work, always comply scrupulously with all the regulations (particularly regarding safety) currently in force in the country in which the fixture's being used.

For inside use only. Not designed for outside use.

The minimum distance between the fixture and surrounding walls must be more than 50cm and the air vents at the housing must not be covered.

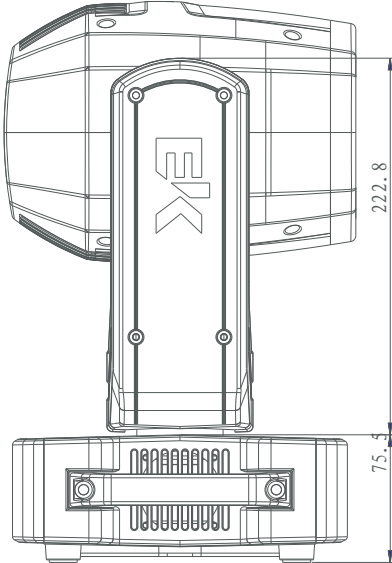
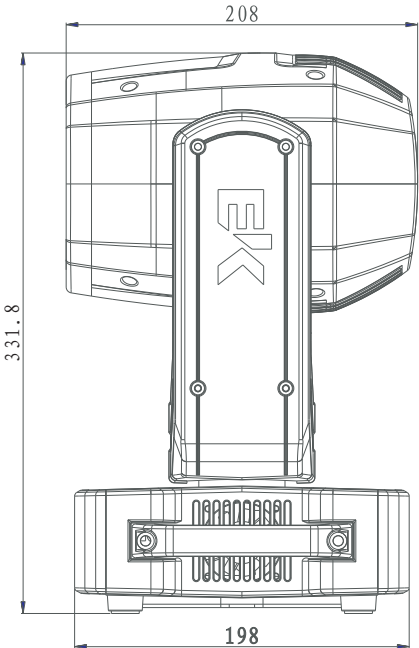
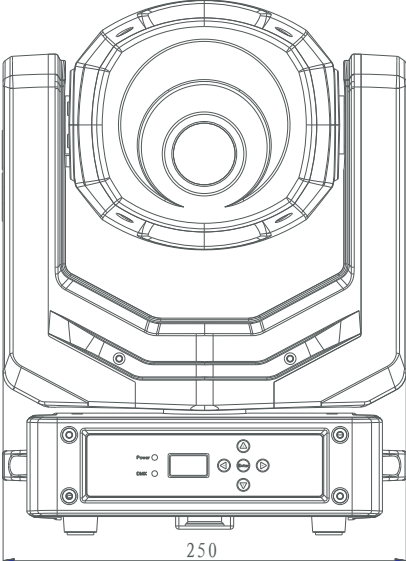
Install the fixture in a well ventilated place

Keep any inflammable material at a safe distance from the fixture.

The maximum temperature that can be reached on the external surface of the fitting, in a thermally steady state, is high. After power off, please cool down over 15 minutes.

Never look directly at the light beam. Please note that fast changes in lighting, e.g. flashing light, may trigger epileptic seizures in photosensitive persons or persons with epilepsy.

DIMENSIONS



DESCRIPTION

Compact, quick, feature-packed moving head

1 x 60W OSRAM RGBW LED

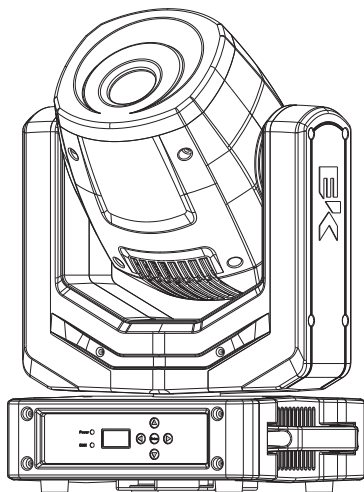
Infinite RGBW color mixing with 7 gobos + open

Ultra smooth dimming and perfectly consistent color mixing

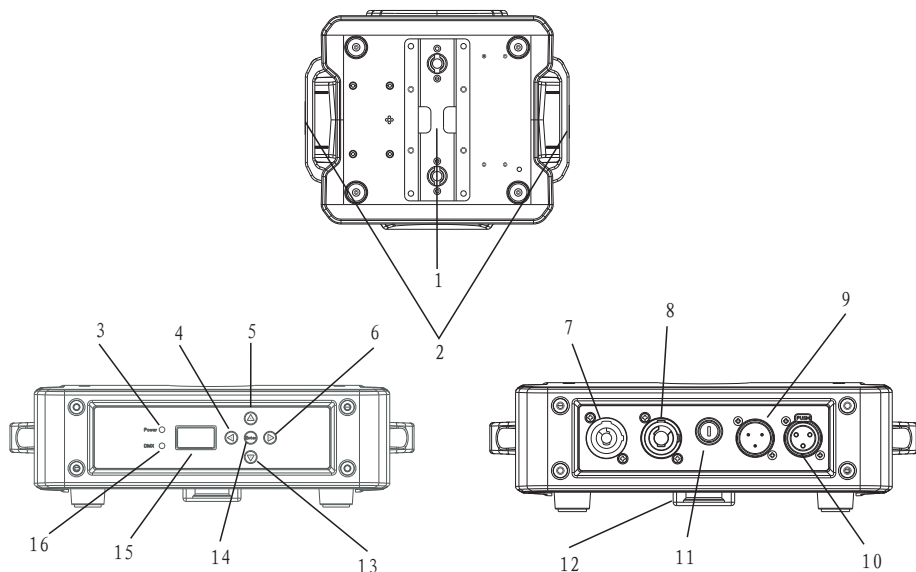
Advanced optical system projects saturated colors

Flawless motorized pan/tilt movement and gobo indexing

Selectable DMX channels 15/18/23



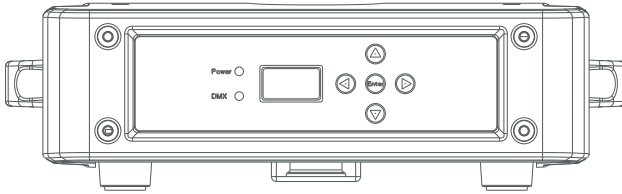
INTRODUCTION



INTRODUCTION

1. Safety Rope Mounting Hole	2. Handle	3. Power Indicator	4. Left
5. Up	6. Right	7. POWER CON In	8. POWER CON Out
9. DMX 3-Pin XLR Out	10. DMX 3-Pin XLR In	11. Main Fuse Holder	12. Clamp Fast Holder
13. Down	14. Confirm	15. OLED Display	16. DMX Indicator

PANEL INTRODUCTION



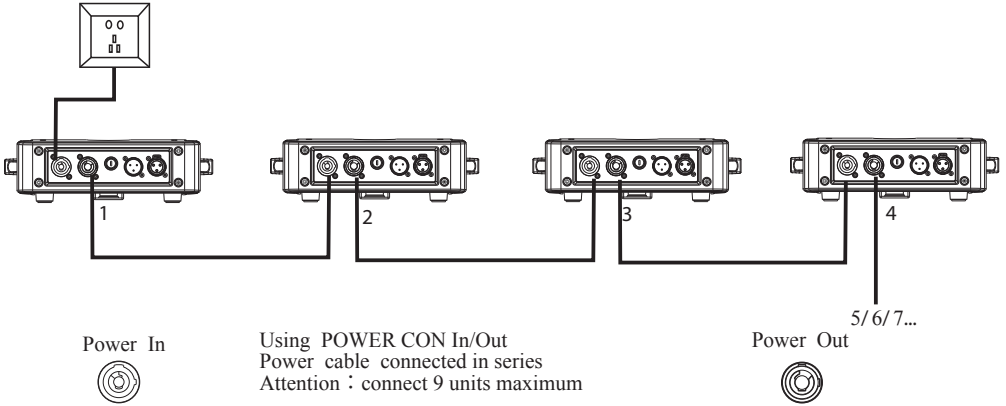
OLED Display Function Description


Function	Function Description	Function
DMX	DMX signal indicator	status indicator
power	power indicator	status indicator
left	scroll left	menu navigation
right	scroll right	menu navigation
up	increase numeric values	scroll up
down	decrease numeric values	scroll down
enter	confirm	save the parameter

STANDARD GOBOS

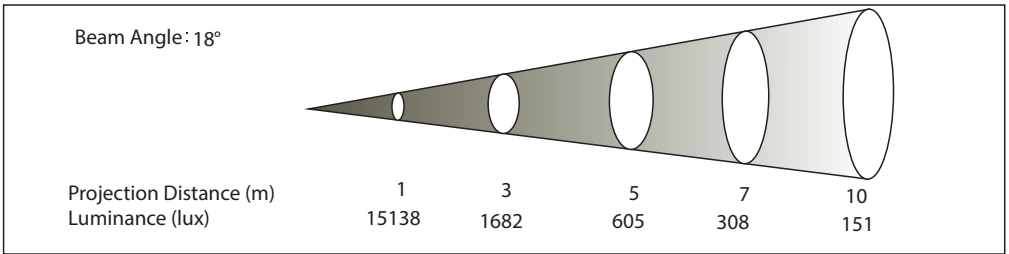


POWER LINKING



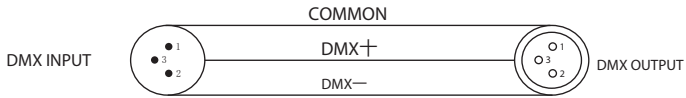
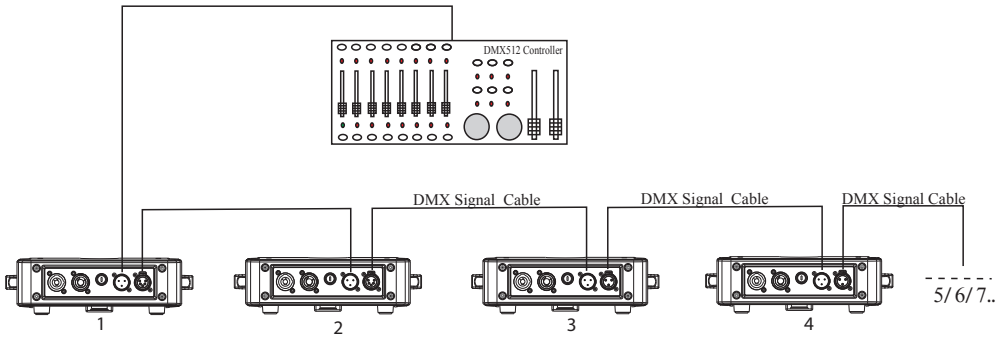
-  Do not connect more than maximum allowable number of fixtures
- Do not use damaged power cables.
- WARNING** Turn off power when the units are not in use.

PHOTOMETRICS



Beam Angle	18°					
Luminance / Luminous Flux						
	Luminance (LX)					Luminous Flux (LM)
	1m	3m	5m	7m	10m	
R	2808	312	112.32	57.3	28.08	202.36
G	5599.8	622.2	223.99	114.2	55.998	374.3
B	621	69	24.81	12.67	6.21	82.231
W	7940.7	882.3	317.628	162	79.407	524.58
ALL	15138	1682	605.52	308.93	151.38	1069

DMX CONNECTION



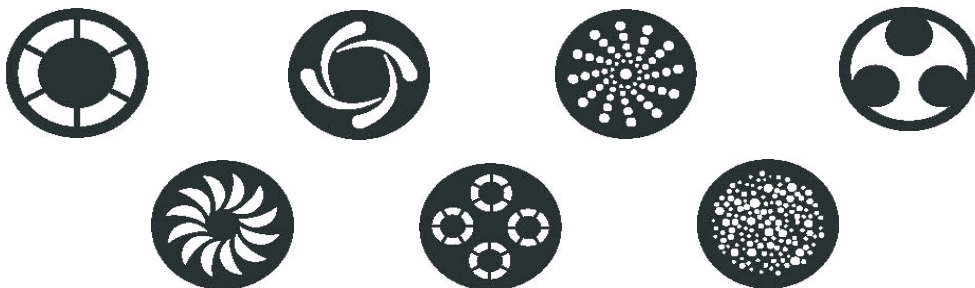
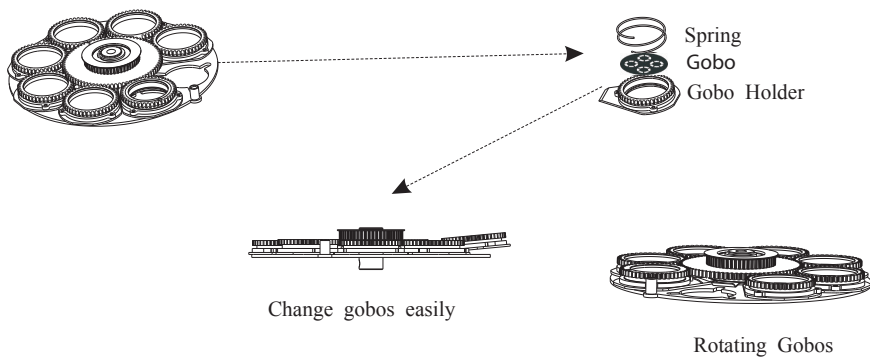
DMX CONNECTION

Relation between DMX and Address

MODE	ALLOCATION	STARTING ADDRESS 1ST FIXTURE	STARTING ADDRESS 2ND FIXTURE	STARTING ADDRESS 3RD FIXTURE	STARTING ADDRESS 4TH FIXTURE
15CH	001-001	001	016	031	046
18CH	002-019	002	020	038	056
23CH	002-024	002	025	048	071

Follow above method for subsequent fixtures, calculating starting addresses as indicated.

GOBO MOUNTING AND REPLACEMENT



TECHNICAL SPECIFICATIONS

Photometrics:

Light Source : OSRAM 60W RGBW LED

Beam Angle : 18°

Output : 606 LUX @5 meters

Key Features:

Color Mixing : RGBW

Rotating Gobos: 7+1

Strobe: 0-30HZ

Dimming: 4 dimming curve modes

Pan movement: 540°

Tilt movemnet: 270°

Control:

Protocol: DMX512

DMX Channels: 15 / 18 / 23

Build-in Program : Yes

Display : OLED 128 x 64

Power:

Mains : 100-240VAC , 50/60HZ

Consumption : 118W

I/O:

Power Connection : POWER CON In/Out

Data Connection : 3-Pin XLR DMX In/Out

Physical

Dimension: 250*208*332MM

Weight: 6. 87KG

IP rating: IP20

Misc/Options

Power Cord: Neutrik POWER CON

Omega Bracket : Included (1 pc)

Flight Case : Optional

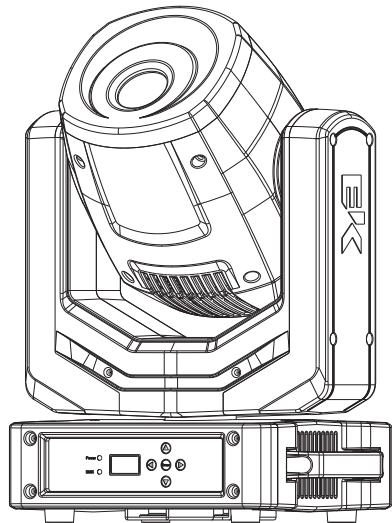
Thermal

Cooling : Active(variable speed fan)

Max.Ambient: 40°

Min. Ambient:- 20°

Max Housing: 62°



MENU

NO.	Main Menu	Menu level 2	Menulevel 3	Menu level 4	Remark
1	DMX Functions	DMXAddress	1-512		Default : 1
		DMXChannels	15CH		Default : 23CH
			18CH		
			23CH		
2	Motor Setup	Pan Inverse	No Yes		Default: No
		Tilt Inverse	No Yes		Default: No
		Motor Offset	Pan Offset	000-255	
			Tilt Offset	000-255	
			Gobo Offset	000-255	
			Prism Offset	000-255	
			Focus Offset	000-255	
3	System Setup	White Balance	Red	125-255	Default : RGB= 255
			Green	125-255	
			Blue	125-255	
		DimmerMode	Off		Default : Off
			Dimmer1		
			Dimmer2		
			Dimmer3		
		Fan Mode	Auto Speed High Speed		Default : Auto Speed
		Factory Settings	No Yes		
		4	Display Setup	Display Inverse	No Yes
Back Light	On				Default : On
	10S				
	20S 30S				
Warn Cue	Off On		Default : On		

MENU

5	Test Setup	Auto Test	Auto Test ...		Default : Tilt: =128 Dimmer=255 Shutter = 255	
		Manual Test	Pan	000-255		
			Pan Fine	000-255		
			Tilt	000-255		
			Tilt Fine	000-255		
			Pan/Tilt Speed	000-255		
			Dimmer	000-255		
			Shutter	000-255		
			Red	000-255		
			Green	000-255		
			Blue	000-255		
			White	000-255		
			Gobo	000-255		
			R Gobo	000-255		
Prism	000-255					
R Prism	000-255					
Focus	000-255					
6	Reset Setup	Auto Reset	No Yes		Yes: Reset allChannels	
		Manual Reset	Pan Reset	No Yes		
			Tilt Reset	No Yes		
			Gobo Reset	No Yes		
			Prism Reset	No Yes		
			Focus Reset	No Yes		
		Fixture Time	0-9999		Default : 0	
7	Information	Software Version	DISP V1.0 CTR-XY V1.0 CTR-LED V1.0			
		LED Temperature	58° C			

MENU DESCRIPTION

DMX Function

DMX Address : Set DMX starting address at a value between 001-512

DMX Channels : Select DMX mode 15/18/23 channel operation

MENU DESCRIPTION

Motor Setup

1. Pan/Tilt inverse on/off selection
2. Pan/Tilt motor offset (for fine tuning pan/tilt position)
3. Gobo / Prism / Focus motor offset (for fine tuning positions)

Adjustments to motor offsets should be made when selected function is at home (DMX = 0) position

System Setup

1. White Balance : Adjust RGB (125-255) levels to achieve desired white light
2. Dimmer Mode: Four selectable dimmer curves: OFF Dimmer 1, 2, 3 (fast, medium, slow)
3. FAN Setting: Select the desired fan speed: High or Auto
4. Factory Reset: Restore factory settings

Display Setup

1. Display Setting: Set delay time for OLED display to go dark after 10, 20 or 30 seconds or choose always ON.
2. Display Inverse: Select orientation of menu display
3. Warning: Display error codes

Test Setup

Self-inspection Mode:

1. Auto Test Mode: Test all functions automatically
2. Manual Test Mode Test each function manually.

Note: No controller required to run tests

Fixture Information

Displays fixture run time, software version and temperature.

DMX CHANNELS

15CH

15CH	Function	Value	Percent/Setting	Remark
1	Pan	000-255	Rotation Angle: 540	
2	Pan Fine	000-255		
3	Tilt	000-255	Rotation Angle: 270	
4	Tilt Fine	000-255		
5	Pan/Tilt Speed	000-255	Fast to slow	
6	Special Function	000-199	No function	
		200-209	Reset all (Hold 3 Seconds)	
		210-255	No function	
7	Red	000-255	0- 100%	
8	Green	000-255	0- 100%	
9	Blue	000-255	0- 100%	
10	White	000-255	0- 100%	
11	Gobo	000-007	WHITE	
		008-015	Gobo 1	
		016-023	Gobo 2	
		024-031	Gobo 3	
		032-039	Gobo 4	
		040-047	Gobo 5	
		048-055	Gobo 6	
		056-063	Gobo 7	
		064-073	Gobo 1 Shaking	
		074-082	Gobo 2 Shaking	
		083-091	Gobo 3 Shaking	
		092-100	Gobo 4 Shaking	
		101-109	Gobo 5 Shaking	
		110-118	Gobo 6 Shaking	
		119-127	Gobo 7 Shaking	
128-189	Left Rotation Fast to Slow			
190-193	Stop Rotation			
194-255	Right Rotation Slow to Fast			
12	Gobo Rotation	000-127	Stop Rotation	
		128-189	Left Rotation Fast to Slow	
		190-193	Stop Rotation	
		194-255	Right Rotation Slow to Fast	

DMX CHANNELS

15CH

13	Prism	000-010 011-127 128-189 190-193 194-255	Prism Off Prism On Left Rotation Fast to Slow Stop Rotation Right Rotation Slow to Fast	
14	Strobe	000-031 032-063 064-095 096-127 128-159 160-191 192-223 224-255	Shutter closed No function (shutter open) Strobe effect slow to fast No function (shutter open) Pulse-effect in sequences No function (shutter open) Random strobe effect slow to fast No function (shutter open)	
15	Focus	000-255	0- 100%	

18CH

18CH	Function	Value	Percent/Setting	Remark
1	Pan	000-255	Rotation Angle:540	
2	Pan Fine	000-255		
3	Tilt	000-255	Rotation Angle:270	
4	Tilt Fine	000-255		
5	Pan/Tilt Speed	000-255	Fast to slow	
6	Special Function	000-199 200-209 210-255	No function Reset all (Hold 3 Second) No function	
7	Red	000-255	0- 100%	
8	Green	000-255	0- 100%	
9	Blue	000-255	0- 100%	
10	White	000-255	0- 100%	
11	Color	000-007 008-022 023-037 038-052 053-067 068-082 083-097 098-112 113-127 128-189 190-193 194-255	No Function RED YELLOW GREEN CYAN BLUE MAGENTA WHITE FULL Left Run Fast to Slow Stop Run Right Run Slow to Fast	

DMX CHANNELS

18CH

12	Gobo	000-007 008-015 016-023 024-031 032-039 040-047 048-055 056-063 064-073 074-082 083-091 092-100 101-109 110-118 119-127 128-189 190-193 194-255	WHITE Gobo 1 Gobo 2 Gobo 3 Gobo 4 Gobo 5 Gobo 6 Gobo 7 Gobo 1 Shaking Gobo 2 Shaking Gobo 3 Shaking Gobo 4 Shaking Gobo 5 Shaking Gobo 6 Shaking Gobo 7 Shaking Left Rotation Fast to Slow Stop Rotation Right Rotation Slow to Fast	
13	Gobo Rotation	000-127 128-189 190-193 194-255	Stop Rotation Left Rotation Fast to Slow Stop Rotation Right Rotation Slow to Fast	
14	Prism	000-010 011-127 128-189 190-193 194-255	Prism Off Prism On Left Rotation Fast to Slow Stop Rotation Right Rotation Slow to Fast	
15	Strobe	000-031 032-063 064-095 096-127 128-159 160-191 192-223 224-255	Shutter closed No function (shutter open) Strobe effect (slow to fast) No function (shutter open) Pulse-effect in sequences No function (shutter open) Random strobe effect slow to fast No function (shutter open)	
16	Focus	000-255	0- 100%	
17	Dimmer	000-255	0- 100%	
18	DimmerSpeed mode	000-051 052-101 102-152 153-203 204-255	Preset dimmer speed from display menu Dimmer speed mode OFF Dimmer speed mode1 (fast speed) Dimmer speed mode2 (middle speed) Dimmer speed mode 3 (slow speed)	

DMX CHANNELS

23CH

23CH	Function	Value	Percent/Setting	Remark
1	Pan	000-255	Rotation Angle: 540	
2	Pan Fine	000-255		
3	Tilt	000-255	Rotation Angle: 270	
4	Tilt Fine	000-255		
5	Pan/Tilt Speed	000-255	Fast to slow	
6	Special Function	000-199	No function	
		200-209	Reset all (Hold 3 Second)	
		210-255	No function	
7	Red	000-255	0- 100%	
8	Green	000-255	0- 100%	
9	Blue	000-255	0- 100%	
10	White	000-255	0- 100%	
11	Color	000-007	No Function	
		008-022	RED	
		023-037	YELLOW	
		038-052	GREEN	
		053-067	CYAN	
		068-082	BLUE	
		083-097	MAGENTA	
		098-112	WHITE	
		113-127	FULL	
		128-189	Left Run Fast to Slow	
190-193	Stop Run			
194-255	Right Run Slow to Fast			
12	Gobo	000-007	WHITE	
		008-015	Gobo 1	
		016-023	Gobo 2	
		024-031	Gobo 3	
		032-039	Gobo 4	
		040-047	Gobo 5	
		048-055	Gobo 6	
		056-063	Gobo 7	
		064-073	Gobo 1 Shaking	
		074-082	Gobo 2 Shaking	
		083-091	Gobo 3 Shaking	
		092-100	Gobo 4 Shaking	
		101-109	Gobo 5 Shaking	
		110-118	Gobo 6 Shaking	
		119-127	Gobo 7 Shaking	
		128-189	Left Rotation Fast to Slow	
		190-193	Stop Rotation	
194-255	Right Rotation Slow to Fast			

DMX CHANNELS

23CH

13	Gobo Rotation	000-127 128-189 190-193 194-255	Stop Rotation ↶ Left Rotation Fast to Slow Stop Rotation ↷ Right Rotation Slow to Fast	
14	Prism	000-010 011-127 128-189 190-193 194-255	Prism Off Prism On Left Rotation Fast to Slow Stop Rotation Right Rotation Slow to Fast	
15	Strobe	000-031 032-063 064-095 096-127 128-159 160-191 192-223 224-255	Shutter closed No function (shutter open) Strobe effect slow to fast No function (shutter open) Pulse-effect in sequences No function (shutter open) Random strobe effect (slowto fast) No function (shutter open)	
16	Focus	000-255	0-100%	
17	Dimmer	000-255	0-100%	
18	Color Macro	000-010 011-030 031-050 051-070 071-090 091-110 111-130 131-150 151-170 171-200 201-205 206-210 211-215 216-220 221-225 226-230 231-235 236-240 241-245 246-250 251-255	No Function R 100% G 0-100% B 0 W 0 R 100%-0 G 100% B 0 W 0 R 0 G 100% B 0-100% W 0 R 0 G 100%-0 B 100% W 0 R 0-100% G 0 B 100% W 0 R 100% G 0 B 100%-0 W 0 R 100% G 0-100% B 0-100% W 0 R 100%-0 G 100%-0 B 100% W 0 R 100% G 100% B 100% W: 100 Color 1 Color 2 Color 3 Color 4 Color 5 Color 6 Color 7 Color 8 Color 9 Color 10 Color 11	
19	Auto Program	000-010 011-070 071-130 131-190 191-250 251-255	No Function 4 Colorssnap 4 Colorsfade 15 Colorssnap 15 Colorsfade Sound Control	

DMX CHANNELS

23CH

20	Auto Program Speed	000-255	Speed slow to fast	
	Sound Sensitivity	000-010 011-255	Sound sensitivity OFF Sound sensitivity adjustment (low to high)	
21	Motor Show	000-010	No Function	
		011-058	Motor Show 1	
		059-106	Motor Show 2	
		107-154	Motor Show 3	
		155-202	Motor Show 4	
		203-250	Motor Show 5 (MotorShow 1-4)	
251-255	Sound Show			
22	Motor Show Speed	000-255	Speed slow to fast	
23	Dimmer Speed mode	000-051	Preset dimmer speed from display menu	
		052-101	Dimmer speed mode OFF	
		102-152	Dimmer speed mode 1 (fastspeed)	
		153-203	Dimmer speed mode 2 (middle speed)	
		204-255	Dimmer speed mode 3 (slowspeed)	

TROUBLE SHOOTING

Problems	Possible Cause	Checks and Remedies
Fixture does not light up	<ul style="list-style-type: none"> • No mains supply • Dimmer fader set to 0 • Faulty LED • Faulty LED board 	<ul style="list-style-type: none"> • Check the power supply voltage • Increase the value of the dimmer channels • Replace the LED board • Replace the LED board
General low light intensity	<ul style="list-style-type: none"> • Dirty lens assembly • Misaligned lens assembly 	<ul style="list-style-type: none"> • Clean the fixture regularly • Install lens assembly properly
Fixture does not power up	<ul style="list-style-type: none"> • No power • Loose or damaged power cord • Faulty internal power supply 	<ul style="list-style-type: none"> • Check for power on power outlet • Check power cord • Replace internal power supply
Fixture does not respond to DMX	<ul style="list-style-type: none"> • Wrong DMX addressing • Damaged DMX cables • Bouncing signals 	<ul style="list-style-type: none"> • Check control panel and unit addressing • Check DMX cables • Install DMX terminator

EK