

SHOWPRO

Houselight FC

LEDPAR332 (Black housing)

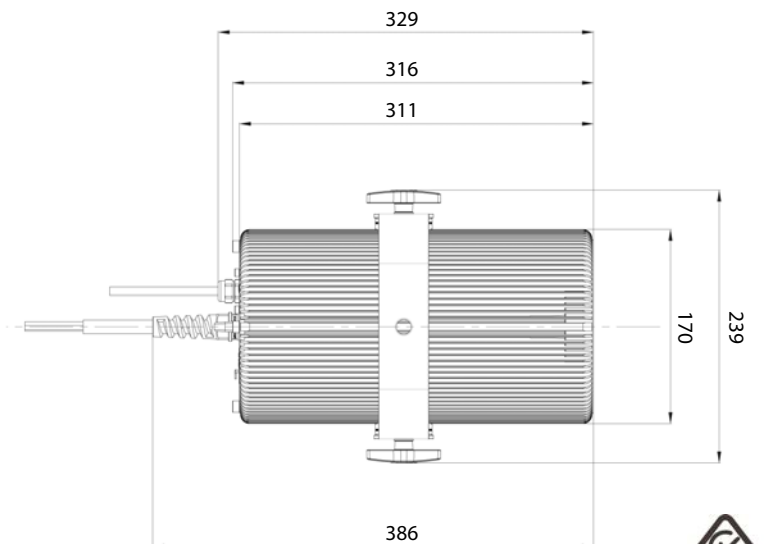
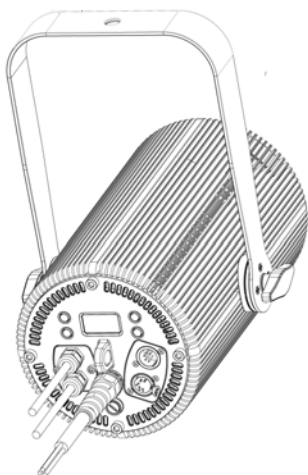
LEDPAR333 (White housing)



State-of-the-art RGBAL LED House Light with exceptional color mixing suitable for live and broadcast applications. Construction and feature-set designed for permanent installation in venues requiring flawlessly rendered house lighting both on and off camera.

FEATURES

- Silent operation due to advanced convection cooled design
- Adjustable PWM frequency ensures flicker-free, camera-safe performance
- Removable yoke and permanent cable anchor for pendant suspension mounting
- Three interchangeable lenses to match beam angle to mounted height
- Virtual color wheel & 2800K ~ 6500K color temp presets
- Optional egg crate diffuser and top hat accessories
- 4.5 meter hardwired power lead
- DMX, W-DMX & RDM control



LEDPAR332/333

SPECIFICATIONS

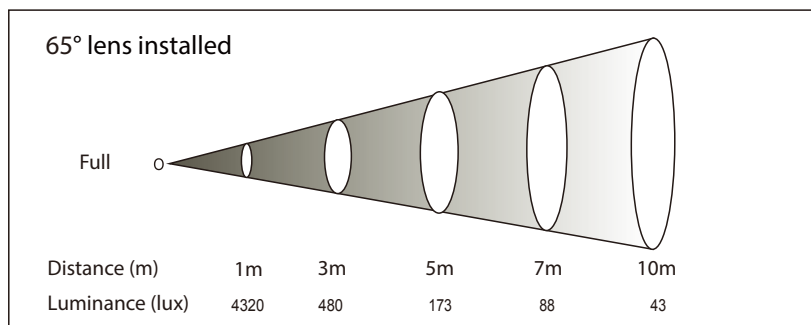
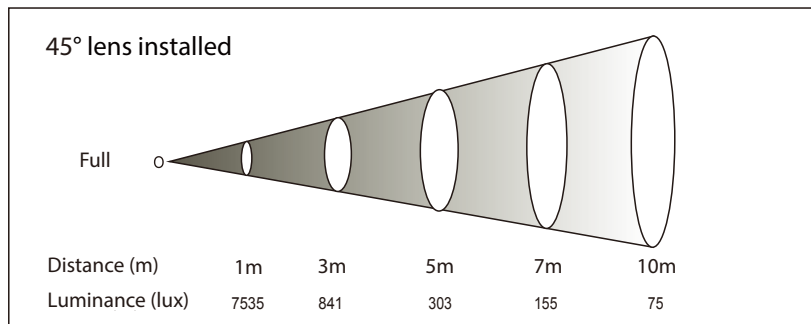
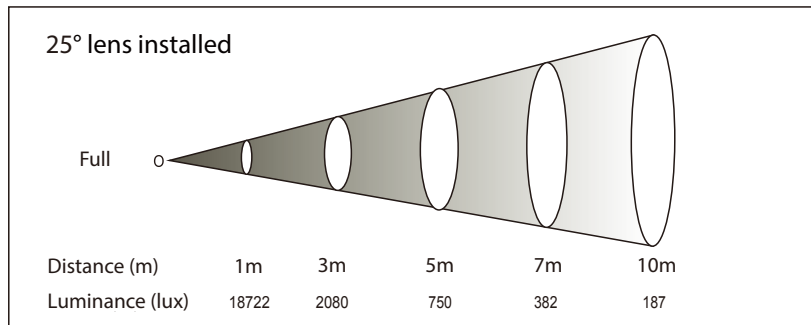
Light Source: 150W RGBAL COB Array
 Output: 4775 lm (750 / 300 / 175 LUX @ 5 meters)
 Strobe: 0-25 Hz and strobe FX macros
 Control: DMX, RDM
 Built-in Programs: Yes
 Mains: 100V-240V, 50/60 Hz
 Power connections: Hard-wired (4.5 meter lead)
 Housing: Aluminium
 IP rating: IP20
 Dimensions: 170mm (diameter) x 311 mm

Beam Angle: 25° / 45° / 65°
 Dimming: 4 dimming curve modes
 DMX Channels: 3 / 5 / 7 / 10 / 12 / 13 / 15 / HSV
 Display: OLED menu
 Consumption: 145W
 Data connections (1): Terminal Block In/Out for DMX
 Data connections (2): 5-pin XLR In/Out for DMX
 Finish: White or Black
 Cooling: Convection (fanless)
 Weight: 8.1 KG

Channel Allocation

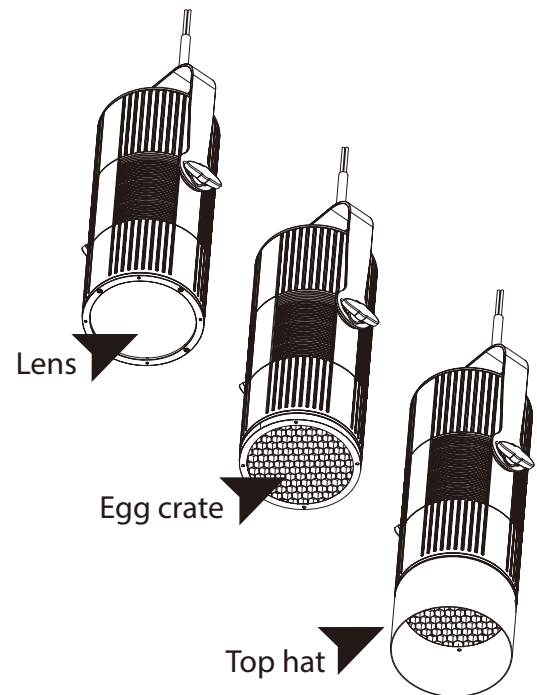
	3-CH	5-CH	7-CH	10-CH	12-CH	13-CH	15-CH
1	Dimmer	Red	Dimmer	Dimmer	Dimmer	Dimmer	Dimmer
2	Color Wheel	Green	Red	Dimmer (16-bit)	Red	Dimmer (16-bit)	Dimmer (16-bit)
3	Color Temp	Blue	Green	Red	Green	Red	Red
4		Amber	Blue	Green	Blue	Red (16-bit)	Red (16-bit)
5		Lime	Amber	Blue	Amber	Green	Green
6			Lime	Amber	Lime	Green (16-bit)	Green (16-bit)
7			Strobe	Lime	Strobe	Blue	Blue
8				Strobe	Color Wheel	Blue (16-bit)	Blue (16-bit)
9				Color Wheel	Color Temp	Amber	Amber
10				Color Temp	Auto Programs	Amber (16-bit)	Amber (16-bit)
11					Program Speed	Lime	Lime
12					Dimmer Curve	Lime (16-bit)	Lime (16-bit)
13						Strobe	Strobe
14							Color Wheel
15							Color Temp
HSV	Hue / Saturation / Brightness						

PHOTOMETRICS



Accessories:

- Egg Crate (black)
- Top Hat (white)
- Top Hat (black)



SYDNEY +61 2 9748 1122
 MELBOURNE +61 3 9681 7511
 BRISBANE +61 7 3267 3177
 PERTH +61 8 9248 8119
 AUCKLAND +64 9 869 3293

www.showtech.com.au