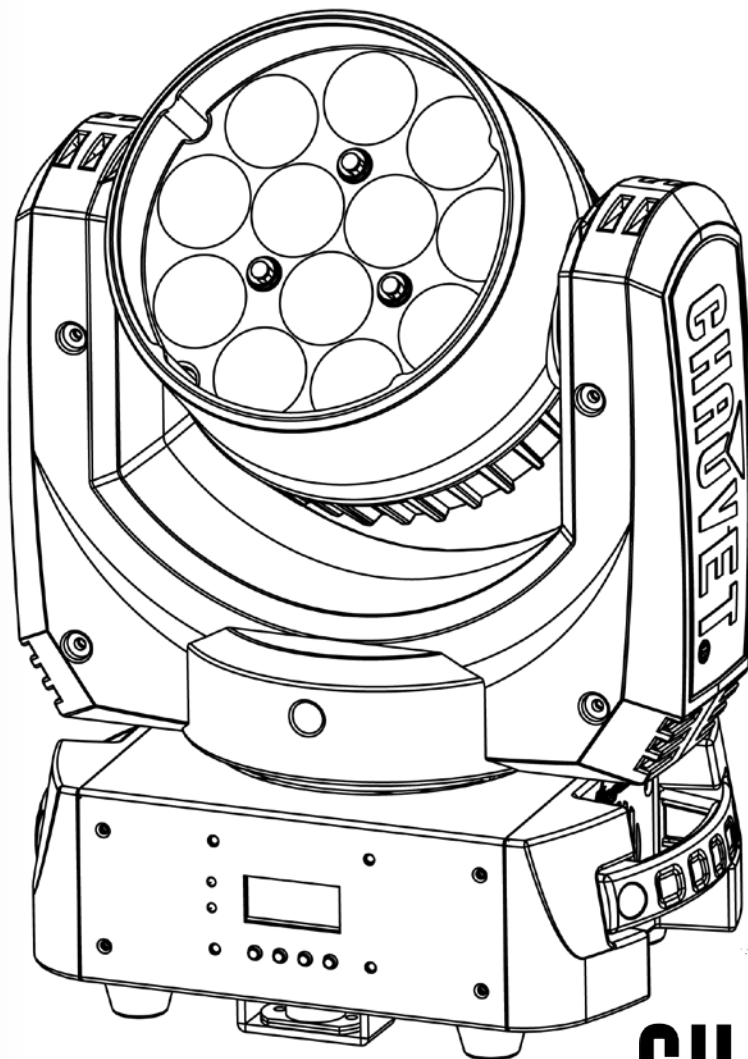


*Legend*TM

412Z

User Manual



CHAUVET[®]
PROFESSIONAL

It's
Green Thinking.

Edition Notes The Legend™ 412Z User Manual Rev. 3 covers the description, safety precautions, installation, programming, operation, and maintenance of the Legend™ 412Z. Chauvet released this edition of the Legend™ 412Z User Manual in October 2014.

Trademarks CHAUVET® is a registered trademark of CHAUVET & Sons Inc. (d/b/a CHAUVET® or Chauvet). The CHAUVET® logo in its entirety including the CHAUVET® name and the dotted triangle, and all other trademarks in this manual pertaining to services, products, or marketing statements (example: It's Green Thinking™) are owned or licensed by CHAUVET®. Any other product names, logos, brands, company names, and other trademarks featured or referred to within this document are the property of their respective trademark holders.

Copyright Notice Chauvet owns the content of this User Manual in its entirety, including but not limited to pictures, logos, trademarks, and resources.

© **Copyright 2014 Chauvet. All rights reserved.**

Electronically published by Chauvet in the United States of America.

Manual Use Chauvet authorizes its customers to download and print this manual for professional information purposes only. Chauvet expressly prohibits the usage, copy, storage, distribution, modification, or printing of this manual or its content for any other purpose without written consent from Chauvet.

Document Printing For better results, print this document in color, on letter size paper (8.5 x 11 in), double-sided. If using A4 paper (210 x 297 mm), configure your printer to scale the content accordingly.

Intended Audience Any person in charge of installing, operating, and/or maintaining this product should completely read through the guide that shipped with the product, as well as this manual, before installing, operating, or maintaining this product.

Disclaimer Chauvet believes that the information contained in this manual is accurate in all respects. However, Chauvet assumes no responsibility for any errors or omissions in this document. Chauvet reserves the right to revise and make changes to the content of this document without obligation that Chauvet notify any person or company of such revision or changes. This does not in any way constitute a commitment by Chauvet to make such changes. Chauvet may issue a revision of this manual or a new edition to incorporate such changes.

Document Revision The Legend™ 412Z User Manual Rev. 3 supersedes all previous versions of this manual. Discard any older versions of this manual and replace with this version. Go to www.chauvetprofessional.com for the latest version.

Author	Date	Editor	Date
D. Coupe	10/31/14	A. Leon	10/31/14

Table of Contents

1. Before You Begin	1
What Is Included	1
Claims	1
Manual Conventions	1
Symbols	1
Product At A Glance	2
Safety Notes	2
Personal Safety.....	2
Mounting And Rigging.....	2
Power And Wiring	2
Operation	2
Expected LED Lifespan	2
2. Introduction	3
Description	3
Features.....	3
Overview	4
Dimensions	5
3. Setup	6
AC Power.....	6
AC Plug.....	6
Fuse Replacement.....	6
Power Linking	6
DMX Linking.....	6
DMX Modes	6
Mounting	7
Orientation	7
Rigging.....	7
Procedure	7
4. Operation	8
Control Panel Description	8
Control Options.....	8
Programming	8
Menu Map	8
Menu Map (Cont.).....	9
Pan Inverse.....	10
Tilt Inverse	10
Back Light	10
Fixture Time	10
Software Version.....	10
Temperature.....	10
Static Color (Manual Test)	10
Reset.....	10
White Calibration.....	10
Auto Test.....	11
Fan Mode.....	11
DMX Personality	11
DMX Control.....	11
DMX Values	12
DMX Values (cont.).....	13
DMX Values (cont.).....	14
Legend™ 412Z Quadrants for DMX Control	14
DMX Values (cont.).....	15

DMX Values (cont.).....	16
DMX Values (cont.).....	17
DMX Values (cont.).....	18
DMX Values (cont.).....	19
5. Technical Information	20
Product Maintenance.....	20
6. Technical Specifications.....	21
Returns	22
Contact Us.....	22

1. BEFORE YOU BEGIN

- What Is Included**
- Legend™ 412Z
 - Neutrik® powerCON® power cord
 - Omega Bracket with mounting hardware
 - Warranty Card
 - Quick Reference Guide

Claims Carefully unpack the product immediately and check the box to make sure all the parts are in the package and are in good condition.




If the box or the contents (the product and included accessories) appear damaged from shipping or show signs of mishandling, notify the carrier immediately, not Chauvet. Failure to report damage to the carrier immediately may invalidate your claim. In addition, keep the box and contents for inspection.

For other issues, such as missing components or parts, damage not related to shipping, or concealed damage, file a claim with Chauvet within 7 days of delivery.

Manual Conventions

Convention	Meaning
1–512	A range of values in the text
50/60	A set of mutually exclusive values in the text
<SET>	A button on the product’s control panel
Settings	A product function or a menu option
MENU>Settings	A sequence of menu options
1–10	A range of menu values from which to choose in a menu
Yes/No	A set of two mutually exclusive menu options in a menu
ON	A unique value to be entered or selected in a menu

Symbols

Symbols	Meaning
	Critical installation, configuration, or operation information. Failure to comply with this information may cause the product not to work, damage third-party equipment, or cause harm to the operator.
	Important installation or configuration information. Failure to comply with this information may keep the product from working.
	Useful information.



The term “DMX” used throughout this manual refers to the USITT DMX512-A digital data transmission protocol.

Product At A Glance	Use on Dimmer	X	Auto Programs	X
	Outdoor Use	X	Auto-Ranging Power Supply	P
	Sound-Activated	X	Replaceable Fuse	P
	DMX	P	User-Serviceable	X
	Master/Slave	P		

Safety Notes



Read all the following Safety Notes before working with this product. These notes include important information about the installation, usage, and maintenance of this product.

This product contains no user-serviceable parts. Any reference to servicing in this User Manual will only apply to properly trained Chauvet certified technicians. Do not open the housing or attempt any repairs.



All applicable local codes and regulations apply to proper installation of this product.

Personal Safety

- Avoid direct eye exposure to the light source while the product is on.
- Always disconnect this product from its power source before servicing.
- Always connect this product to a grounded circuit to avoid the risk of electrocution.
- Do not touch this product's housing during operation because it may be very hot.
- Mount this product in a location with adequate ventilation, at least 20 in (50 cm) from adjacent surfaces.

Mounting And Rigging

- CAUTION: When transferring product from extreme temperature environments, (e.g. cold truck to warm humid ballroom) condensation may form on the internal electronics of the product. To avoid causing a failure, allow product to fully acclimate to the surrounding environment before connecting it to power.
- Make sure there are no flammable materials close to this product while it is operating.
- When hanging this product, always secure to a fastening device using a safety cable (included).

Power And Wiring

- Always make sure you are connecting this product to the proper voltage in accordance with the specifications in this manual or on the product's specification label.
- Never connect this product to a dimmer pack or rheostat.
- Never disconnect this product by pulling or tugging on the power cable.

Operation

- Do not operate this product if you see damage on the housing, lenses, or cables. Have the damaged parts replaced by an authorized technician at once.
- To eliminate unnecessary wear and improve its lifespan, during periods of non-use completely disconnect the product from power via breaker or by unplugging it.
- Do not cover the ventilation slots when operating to avoid internal overheating.
- The maximum ambient temperature is 113 °F (45 °C). Do not operate this product at a higher temperature.
- In case of a serious operating problem, stop using this product immediately!



In the unlikely event that your Chauvet product may require service, contact Chauvet Technical Support.

Expected LED Lifespan

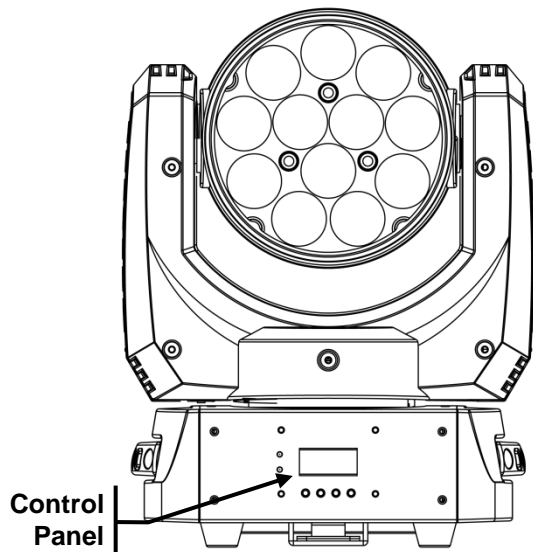
LEDs gradually decline in brightness over time, mostly because of heat. Packaged in clusters, LEDs exhibit higher operating temperatures than in ideal, single-LED conditions. For this reason, using clustered LEDs at their fullest intensity significantly reduces the LEDs' lifespan. Under normal conditions, this lifespan can be 40,000 to 50,000 hours. If extending this lifespan is vital, lower the operating temperature by improving the ventilation around the product and reducing the ambient temperature to an optimal operating range. In addition, limiting the overall projection intensity may also help to extend the LEDs' lifespan.

2. INTRODUCTION

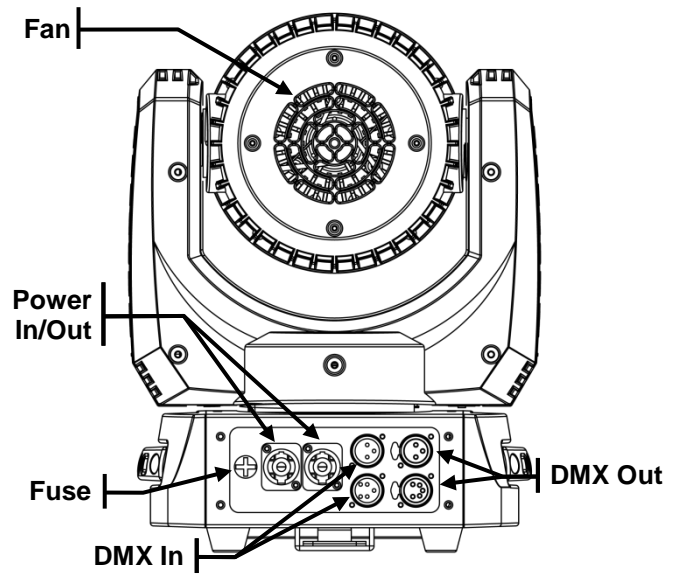
Description Legend™ 412Z is a powerful and versatile LED wash fixture with an outstanding zoom range of 11° to 53°, making it perfect for a wide array of applications, from touring to broadcast. The Legend™ 412Z features twelve 10-watt quad-color RGBW emitters with four zones of independent pixel mapping control, providing ultimate versatility in programming and use.

- Features**
- 15-, 27-, 31-, or 34-channel quad-color LED wash product
 - Operating modes:
 - 15-channel: 16-bit P/T control, P/T speed, RGBW, dimmer, strobe, color macro, macro speed, zoom, reset
 - 27-channel: 16-bit P/T control, P/T speed, RGBW quadrant control, dimmer, strobe, color macro, macro speed, zoom, reset
 - 31-channel: 16-bit P/T control, P/T speed, RGBW and dimmer quadrant control; strobe, color macro, macro speed, zoom, reset
 - 34-channel: 16-bit P/T control, P/T speed, RGBW, dimmer, and strobe quadrant control; color macro, macro speed, zoom, reset
 - 4 zones of LED control
 - Fast and precise pan/tilt movement
 - Versatile 11° to 53° zoom range
 - 12 powerful 10-watt long-life quad-color RGBW LEDs
 - Strobe macros with quadrant control
 - Neutrik® powerCON® power input/output connections
 - 3-pin and 5-pin DMX input/output connections
 - Flicker-free operation for wide market application including broadcast and film

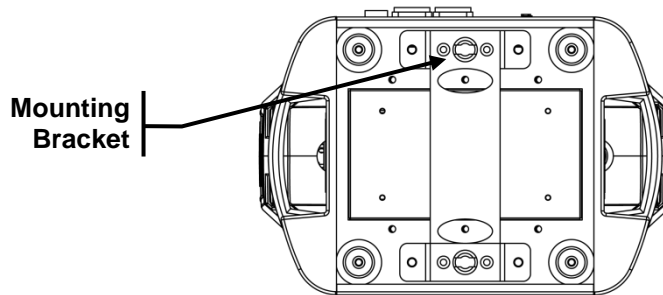
Overview



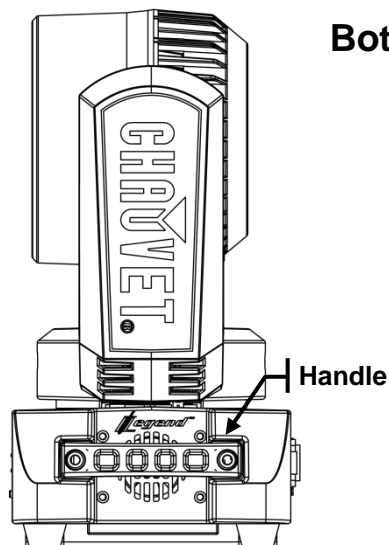
Front View



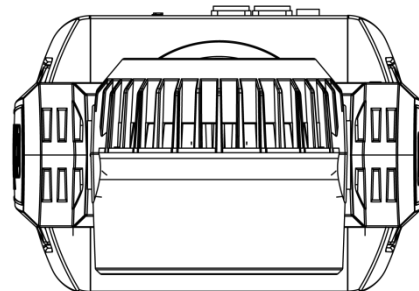
Rear View



Bottom View

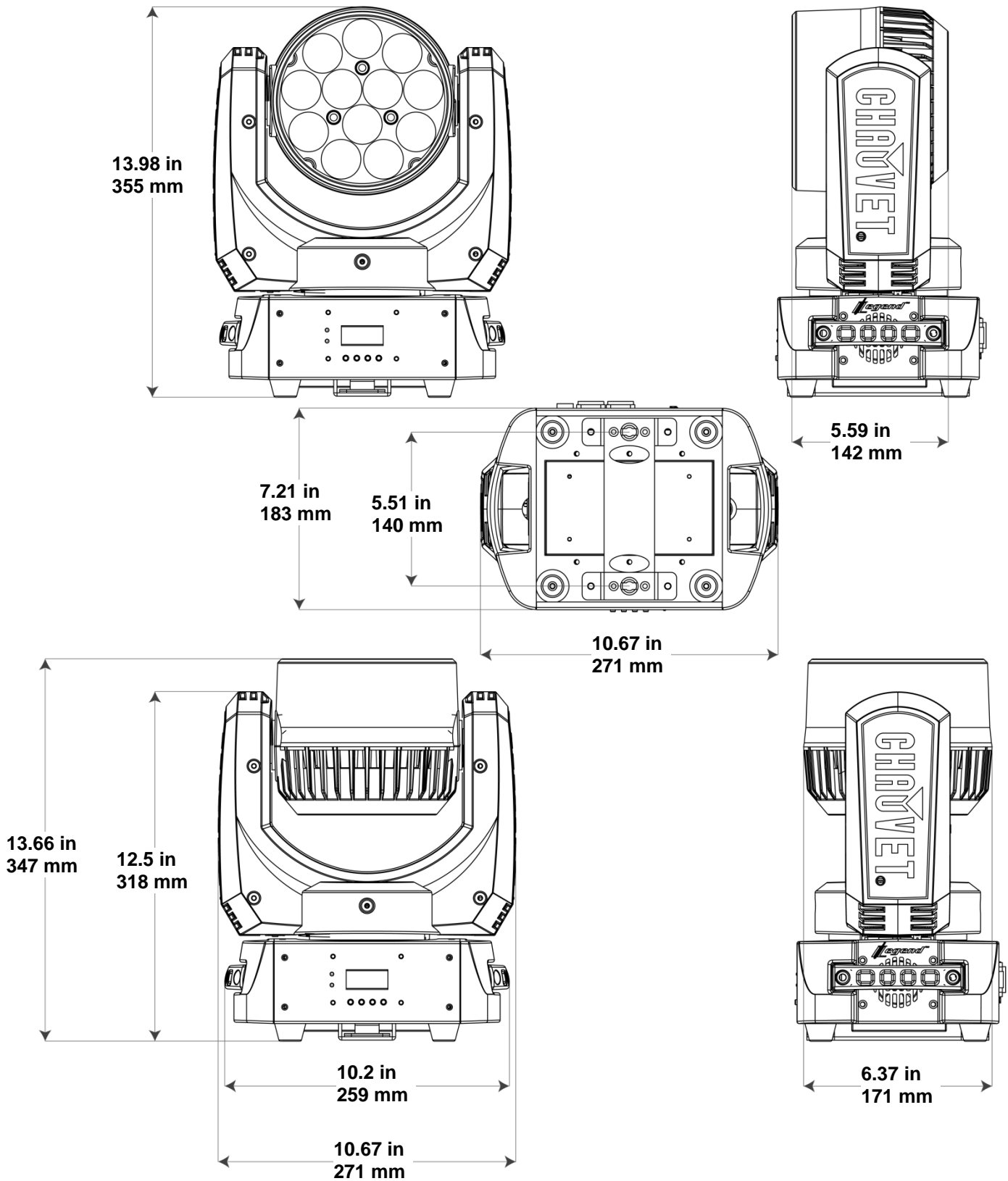


Side View



Top View

Dimensions



3. SETUP

AC Power

Each Legend™ 412Z has an auto-ranging power supply that works with an input voltage range of 100 to 240 VAC, 50/60 Hz. To determine the power requirements for each Legend™ 412Z, refer to the label affixed to the product. You can also refer to the [Technical Specifications](#) chart in this manual.

The listed current rating indicates the maximum current draw during normal operation. For more information, you may download Sizing Circuit Breakers from the Chauvet website: www.chauvetlighting.com/download/pro.



Always connect this product to a protected circuit with an appropriate electrical ground to avoid the risk of electrocution or fire.



Never connect this product to a rheostat (variable resistor) or dimmer circuit, even if the rheostat or dimmer channel serves only as a 0 to 100% switch.

AC Plug

The Legend™ 412Z comes with a Neutrik® powerCON A connector on one end and an Edison plug on the other end (US market). If the power cord adapter that came with your product has no plug or you need to change the Edison plug, use the table below to wire the new plug..

Connection	Wire (U.S.)	Wire (Europe)	Screw Color
AC Live	Black	Brown	Yellow or Brass
AC Neutral	White	Blue	Silver
AC Ground	Green/Yellow	Green/Yellow	Green

Fuse Replacement

1. Disconnect this product from the power outlet.
2. Using a Phillips #2 head screwdriver, unscrew the fuse holder cap from the housing.
3. Remove the blown fuse and replace with another fuse of the same type and rating (T 6.3 A, 250 V).
4. Screw the fuse holder cap back in place and reconnect power.



Make sure to disconnect the product's power cord before replacing a blown fuse. Always replace the blown fuse with another of the same type and rating.

Power Linking

The Legend™ 412Z supports power linking. You can power link up to 9 products at 120 V; up to 15 at 208 V; or up to 17 at 230 V.

This product comes with a power input cord. Power linking cables are available from Chauvet for purchase.

DMX Linking

You can link the Legend™ 412Z to a DMX controller using a standard DMX serial connection. If using other DMX compatible products with the Legend™ 412Z, you can control each individually with a single DMX controller.

DMX Modes

The Legend™ 412Z uses the standard DMX data connection for the 15-, 27-, 31-, and 34-channel DMX modes.

- Refer to the [Introduction](#) chapter for a brief description of these modes.
- Refer to the [Operation](#) chapter to learn how to configure the Legend™ 412Z to work in these modes.
- The [DMX Values](#) section provides you with detailed information regarding the DMX modes.

Mounting Before mounting this product, read and follow the [Safety Notes](#). For our Chauvet line of mounting clamps, go to <http://trusst.com/productcategory/base-plates-accessories-clamps/>.

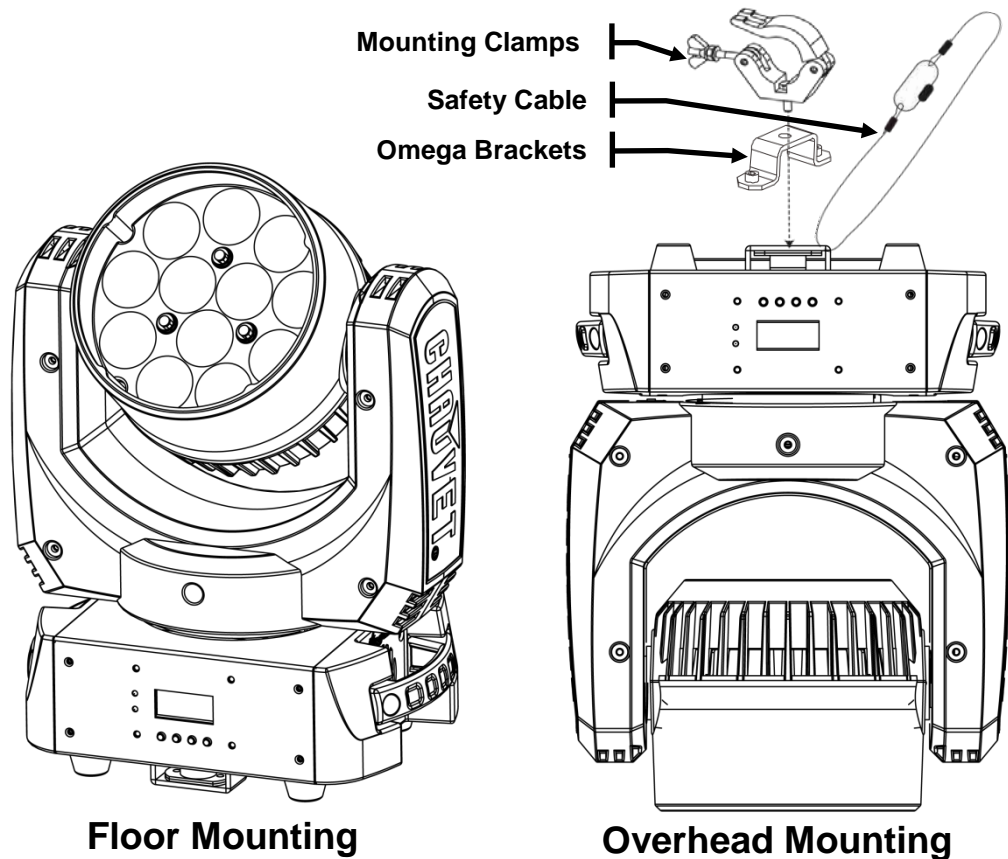
Orientation Always mount this product in a safe position and make sure there is adequate room for ventilation, configuration, and maintenance.

Rigging Chauvet recommends using the following general guidelines when mounting this product.

- When selecting an installation location, consider easy access to this product for operation, programming adjustments, and routine maintenance.
- Make sure to mount this product away from any flammable material as indicated in the [Safety Notes](#).
- Never mount in places where rain, high humidity, extreme temperature changes, or restricted ventilation may affect the product.
- If hanging this product, make sure that the mounting location can support the product's weight. See the [Technical Specifications](#) for the weight-bearing requirements of this product.
- When hanging this product, always secure to a fastening device using a safety cable (such as **CH-05** from Chauvet).

Procedure The Legend™ 412Z comes with a double-yoke bracket to which you can either attach mounting clamps for hanging or simply use as a floor stand. You must supply your own mounting clamps. Make sure the clamps (such as **CLP-15** from Chauvet) are capable of supporting the weight of this product. Use at least one mounting point per product.

Mounting Diagram



When using only one mounting clamp with this fixture, you must use a clamp with a captive bolt to prevent accidental loosening.

4. OPERATION

Control Panel Description

Button	Function
<MENU>	Exits from the current menu or function
<ENTER>	Enables the currently displayed menu or sets the currently selected value in to the current function
<UP>	Navigates upward through the menu list and increases the numeric value when in a function
<DOWN>	Navigates downward through the menu list and decreases the numeric value when in a function

Control Options

You can set the Legend™ 412Z starting address in the **001–512** DMX range. This enables control of up to 15 products in the 34-channel **34chan** personality.

Programming

Refer to the [Menu Map](#) to understand the menu options. The menu map shows the main level and a variable number of programming levels for each option.

- To go to the desired main level, press **<MENU>** repeatedly until the option shows on the display. Press **<ENTER>** to select. This will take you to the first programming level for that option.
- To select an option or value within the current programming level, press **<UP>** or **<DOWN>** until the option shows on the display. Press **<ENTER>** to select. In this case, if there is another programming level, you will see that first option, or you will see the selected value.
- Press **<MENU>** repeatedly to exit to the previous main level.

Menu Map

Main Level	Programming Levels	Description	
DMX Address	001–512	Selects the DMX starting address	
Channel Mode	15chan	Selects 15–channel DMX personality	
	27chan	Selects 27–channel DMX personality	
	31chan	Selects 31–channel DMX personality	
	34chan	Selects 34–channel DMX personality	
Pan Inverse	Yes	Defines the direction of the pan function	
	No		
Tilt Inverse	Yes	Defines the direction of the tilt function	
	No		
Back Light	On	Display backlight always on	
	Off	Display backlight turns off after 1 min.	
White Balance	Red	125–255	Defines the color temperature when the red, green, and blue faders are set at 100%
	Green		
	Blue		

Menu Map (Cont.)

Main Level	Programming Levels	Description
Manual Test	Pan	Sets Pan 0–540°
	Tilt	Sets Tilt 0–270°
	Red1	Sets Quadrant 1 red LED intensity
	Green1	Sets Quadrant 1 green LED intensity
	Blue1	Sets Quadrant 1 blue LED intensity
	White1	Sets Quadrant 1 white LED intensity
	Red2	Sets Quadrant 2 red LED intensity
	Green2	Sets Quadrant 2 green LED intensity
	Blue2	Sets Quadrant 2 blue LED intensity
	White2	Sets Quadrant 2 white LED intensity
	Red3	Sets Quadrant 3 red LED intensity
	Green3	Sets Quadrant 3 green LED intensity
	Blue3	Sets Quadrant 3 blue LED intensity
	White3	Sets Quadrant 3 white LED intensity
	Red4	Sets Quadrant 4 red LED intensity
	Green4	Sets Quadrant 4 green LED intensity
	Blue4	Sets Quadrant 4 blue LED intensity
	White4	Sets Quadrant 4 white LED intensity
	Zoom	Sets zoom position
	Dimmer	Sets dimmer value
Strobe	Selects the strobe frequency (0–20 Hz)	
Auto Test		Starts the product's test sequence
Temp.		Shows the product's current temperature (°C)
Fan Mode	Low	Selects the fan's operation mode.
	High	
	Auto	
Fixture Time		Shows the total amount of time the product has been used (hours)
Firmware Version		Shows the version of the software that has been installed
Reset		Resets product to its home setting

- Pan Inverse** This setting allows the user to invert the direction of the pan control.
1. Go to the **Pan Inverse** main level.
 2. Select **Yes** or **No**.
- Tilt Inverse** This setting allows the user to invert the direction of the pan control.
1. Go to the **Tilt Inverse** main level.
 2. Select **Yes** or **No**.
- Back Light** This setting determines whether the control panel display backlight stays on indefinitely or turns off after 1 minutes of inactivity.
1. Go to the **Back Light** main level.
 2. Select **Yes** or **No**.
- Fixture Time** This option shows the amount of hours the Legend™ 412Z has been in use throughout its lifetime.
- Go to the **Fixture Time** main level.
- Software Version** This option shows the user the software version currently installed in the Legend™ 412Z.
- Go to the **Firmware Version** main level.
- Temperature** This setting allows the user to view the internal temperature (C°) of the Legend™ 412Z.
- Go to the **Temp.** main level.
- Static Color (Manual Test)** The Static Color mode allows for permanent positioning, strobing, dimming, and RGBW color mixing without a DMX controller.
1. Go to the **Manual Test** main level.
 2. Select the desired position (**Pan** or **Tilt**).
 - a. Select the position value (**000–255**).
 - b. Repeat for the other position.
 3. Select the desired color (**Red 1–4**, **Green 1–4**, **Blue 1–4**, or **White 1–4**).
 - a. Select the color value (**000–255**).
 - b. Repeat for the other colors.
 4. Select the beam angle (**Zoom**).
 - Select the angle value (**000–255**).
 5. Select the intensity (**Dimmer**).
 - Select the intensity value (**000–255**).
 6. Select the strobe frequency from 0–20 Hz (**Strobe**).
 - Select the strobe value (**000–255**).
- Reset** This setting allows you to reset the Legend™ 412Z to the default values, including the custom programs.
1. Go to the **Reset** main level.
 2. Wait for the reset process to finish.
- White Calibration** This setting allows you to select the white color shown by the Legend™ 412Z when the DMX controller's red, green, and blue faders are set to **255**.
1. Go to the **White Balance** main level.
 2. Select a color (**Red**, **Green**, or **Blue**).
 3. Select a color value (**125–255**).
 4. Repeat for the other colors.



When selecting White Balance, you will only be able to define the values of Red, Green, or Blue.



The values of Red, Green, or Blue configured from White Balance will define the color temperature shown when the RGB faders are set to 255.

Auto Test This setting starts the products test sequence.

- Go to the **Auto Test** main level.

Fan Mode This setting allows you to control the fan speed.

- Go to the **Fan Mode** main level.
 - Select the desired speed (**Low, High, or Auto**).
- When in AUTO, the fan speed automatically changes so the product’s temperature does not exceed the maximum allowed value.**
 - When in the other settings, the fan speed follows the predefined values.**
 - The internal controller will override any manual setting if the internal temperature rises above a certain level.**



DMX Personality This setting allows you to choose a particular DMX personality.

- Go to the **Channel Mode** main level.
 - Select the desired personality (**15chan, 27chan, 31chan, or 34chan**).
- See the [DMX Values](#) section for the highest starting address you can select for each personality.**
 - Make sure that the starting addresses on the various products do not overlap due to the new personality setting.**



DMX Control In this mode, each product will respond to a unique starting address from the DMX controller. All products with the same starting address will respond in unison.

- Select a DMX personality as shown in [DMX Personality](#).
- Set the starting address:
 - Go to the **DMX Address** main level.
 - Select the starting address (**001–512**).

The highest recommended starting address for each DMX mode is as follows:



DMX Personality	DMX Address	DMX Personality	DMX Address
15chan	498	31chan	482
27chan	486	34chan	479

DMX Values

15chan	Channel	Function	Value	Percent/Setting
	1	Pan	000 ó 255	0–540°
	2	Fine Pan	000 ó 255	Fine control of panning
	3	Tilt	000 ó 255	0–270°
	4	Fine Tilt	000 ó 255	Fine control of tilting
	5	P/T Speed	000 ó 255	Pan/Tilt speed (fast to slow)
	6	Dimmer	000 ó 255	0–100%
	7	Strobe	000 ó 019	No function
			020 ó 039	0–20 Hz
			040 ó 059	Strobe Macro 1
			060 ó 079	Strobe Macro 2
			080 ó 099	Strobe Macro 3
			100 ó 119	Strobe Macro 4
			120 ó 139	Strobe Macro 5
			140 ó 159	Strobe Macro 6
			160 ó 179	Strobe Macro 7
			180 ó 199	Strobe Macro 8
	200 ó 219	Strobe Macro 9		
	220 ó 255	No function		
	8	Red	000 ó 255	0–100%
	9	Green	000 ó 255	0–100%
	10	Blue	000 ó 255	0–100%
	11	White	000 ó 255	0–100%

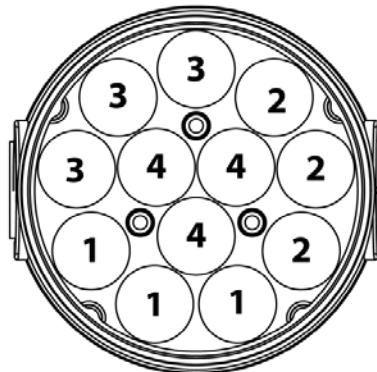
DMX Values (cont.)

15chan (cont.)	Channel	Function	Value	Percent/Setting
12	Color Macro	000 ó 019	No function	
		020 ó 029	Macro 1	
		030 ó 039	Macro 2	
		040 ó 049	Macro 3	
		050 ó 059	Macro 4	
		060 ó 069	Macro 5	
		070 ó 079	Macro 6	
		080 ó 089	Macro 7	
		090 ó 099	Macro 8	
		100 ó 109	Macro 9	
		110 ó 119	Macro 10	
		120 ó 129	Macro 11	
		130 ó 139	Macro 12	
		140 ó 149	Macro 13	
		150 ó 159	Macro 14	
		160 ó 169	Macro 15	
		170 ó 179	Macro 16	
		180 ó 189	Macro 17	
		190 ó 199	Macro 18	
		200 ó 209	Macro 19	
		210 ó 219	Macro 20	
		220 ó 229	Macro 21	
		230 ó 239	Macro 22	
		240 ó 255	Macro 23	
13	Macro Speed	000 ó 255	0–100%	
14	Zoom	000 ó 255	0–100%	
15	Reset	000 ó 007	No function	
		008 ó 069	Reset pan/tilt	
		070 ó 129	Reset all	
		130 ó 190	Pan/tilt movement blackout	
		191 ó 205	Zoom presets	
		206 ó 255	No function	

DMX Values (cont.)

27chan	Channel	Function	Value	Percent/Setting
	1	Pan	000 ó 255	0–540°
	2	Fine Pan	000 ó 255	Fine control of panning
	3	Tilt	000 ó 255	0–270°
	4	Fine Tilt	000 ó 255	Fine control of tilting
	5	P/T Speed	000 ó 255	Pan/Tilt speed (fast to slow)
	6	Dimmer	000 ó 255	0–100%
	7	Strobe	000 ó 019	No function
			020 ó 039	0–20 Hz
			040 ó 059	Strobe Macro 1
			060 ó 079	Strobe Macro 2
			080 ó 099	Strobe Macro 3
			100 ó 119	Strobe Macro 4
			120 ó 139	Strobe Macro 5
			140 ó 159	Strobe Macro 6
			160 ó 179	Strobe Macro 7
			180 ó 199	Strobe Macro 8
	200 ó 219	Strobe Macro 9		
	220 ó 255	No function		
	8	Red Quadrant 1	000 ó 255	0–100%
	9	Green Quadrant 1	000 ó 255	0–100%
	10	Blue Quadrant 1	000 ó 255	0–100%
	11	White Quadrant 1	000 ó 255	0–100%
	12	Red Quadrant 2	000 ó 255	0–100%
	13	Green Quadrant 2	000 ó 255	0–100%
	14	Blue Quadrant 2	000 ó 255	0–100%
	15	White Quadrant 2	000 ó 255	0–100%
	16	Red Quadrant 3	000 ó 255	0–100%
	17	Green Quadrant 3	000 ó 255	0–100%
	18	Blue Quadrant 3	000 ó 255	0–100%
	19	White Quadrant 3	000 ó 255	0–100%
	20	Red Quadrant 4	000 ó 255	0–100%
	21	Green Quadrant 4	000 ó 255	0–100%
	22	Blue Quadrant 4	000 ó 255	0–100%
	23	White Quadrant 4	000 ó 255	0–100%

**Legend™ 412Z
Quadrants for
DMX Control**



DMX Values (cont.)

27chan (cont.)	Channel	Function	Value	Percent/Setting
	24	Color Macro	000 ó 019	No function
			020 ó 029	Macro 1
			030 ó 039	Macro 2
			040 ó 049	Macro 3
			050 ó 059	Macro 4
			060 ó 069	Macro 5
			070 ó 079	Macro 6
			080 ó 089	Macro 7
			090 ó 099	Macro 8
			100 ó 109	Macro 9
			110 ó 119	Macro 10
			120 ó 129	Macro 11
			130 ó 139	Macro 12
			140 ó 149	Macro 13
			150 ó 159	Macro 14
			160 ó 169	Macro 15
			170 ó 179	Macro 16
			180 ó 189	Macro 17
			190 ó 199	Macro 18
			200 ó 209	Macro 19
			210 ó 219	Macro 20
			220 ó 229	Macro 21
			230 ó 239	Macro 22
	240 ó 255	Macro 23		
	25	Macro Speed	000 ó 255	0–100%
	26	Zoom	000 ó 255	0–100%
	27	Reset	000 ó 007	No function
			008 ó 069	Reset pan/tilt
			070 ó 129	Reset all
			130 ó 190	Pan/tilt movement blackout
			191 ó 205	Zoom presets
			206 ó 255	No function

DMX Values (cont.)

31chan	Channel	Function	Value	Percent/Setting
	1	Pan	000 ó 255	0–540°
	2	Fine Pan	000 ó 255	Fine control of panning
	3	Tilt	000 ó 255	0–270°
	4	Fine Tilt	000 ó 255	Fine control of tilting
	5	P/T Speed	000 ó 255	Pan/Tilt speed (fast to slow)
	6	Dimmer	000 ó 255	0–100%
	7	Strobe	000 ó 019	No function
			020 ó 039	0–20 Hz
			040 ó 059	Strobe Macro 1
			060 ó 079	Strobe Macro 2
			080 ó 099	Strobe Macro 3
			100 ó 119	Strobe Macro 4
			120 ó 139	Strobe Macro 5
			140 ó 159	Strobe Macro 6
			160 ó 179	Strobe Macro 7
			180 ó 199	Strobe Macro 8
	200 ó 219	Strobe Macro 9		
	220 ó 255	No function		
	8	Red Quadrant 1	000 ó 255	0–100%
	9	Green Quadrant 1	000 ó 255	0–100%
	10	Blue Quadrant 1	000 ó 255	0–100%
	11	White Quadrant 1	000 ó 255	0–100%
	12	Dimmer Quadrant 1	000 ó 255	0–100%
	13	Red Quadrant 2	000 ó 255	0–100%
	14	Green Quadrant 2	000 ó 255	0–100%
	15	Blue Quadrant 2	000 ó 255	0–100%
	16	White Quadrant 2	000 ó 255	0–100%
	17	Dimmer Quadrant 2	000 ó 255	0–100%
	18	Red Quadrant 3	000 ó 255	0–100%
	19	Green Quadrant 3	000 ó 255	0–100%
	20	Blue Quadrant 3	000 ó 255	0–100%
	21	White Quadrant 3	000 ó 255	0–100%
	22	Dimmer Quadrant 3	000 ó 255	0–100%
	23	Red Quadrant 4	000 ó 255	0–100%
	24	Green Quadrant 4	000 ó 255	0–100%
	25	Blue Quadrant 4	000 ó 255	0–100%
	26	White Quadrant 4	000 ó 255	0–100%
	27	Dimmer Quadrant 4	000 ó 255	0–100%

DMX Values (cont.)

31chan (cont.)	Channel	Function	Value	Percent/Setting
	28	Color Macro	000 ó 019	No function
			020 ó 029	Macro 1
			030 ó 039	Macro 2
			040 ó 049	Macro 3
			050 ó 059	Macro 4
			060 ó 069	Macro 5
			070 ó 079	Macro 6
			080 ó 089	Macro 7
			090 ó 099	Macro 8
			100 ó 109	Macro 9
			110 ó 119	Macro 10
			120 ó 129	Macro 11
			130 ó 139	Macro 12
			140 ó 149	Macro 13
			150 ó 159	Macro 14
	160 ó 169	Macro 15		
	170 ó 179	Macro 16		
	180 ó 189	Macro 17		
	190 ó 199	Macro 18		
	200 ó 209	Macro 19		
	210 ó 219	Macro 20		
	220 ó 229	Macro 21		
	230 ó 239	Macro 22		
	240 ó 255	Macro 23		
	29	Macro Speed	000 ó 255	0–100%
	30	Zoom	000 ó 255	0–100%
	31	Reset	000 ó 007	No function
			008 ó 069	Reset pan/tilt
			070 ó 129	Reset all
			130 ó 190	Pan/tilt movement blackout
			191 ó 205	Zoom presets
			206 ó 255	No function

DMX Values (cont.)

34chan	Channel	Function	Value	Percent/Setting
	1	Pan	000 ó 255	0–540°
	2	Fine Pan	000 ó 255	Fine control of panning
	3	Tilt	000 ó 255	0–270°
	4	Fine Tilt	000 ó 255	Fine control of tilting
	5	P/T Speed	000 ó 255	Pan/Tilt speed (fast to slow)
	6	Dimmer	000 ó 255	0–100%
	7	Red Quadrant 1	000 ó 255	0–100%
	8	Green Quadrant 1	000 ó 255	0–100%
	9	Blue Quadrant 1	000 ó 255	0–100%
	10	White Quadrant 1	000 ó 255	0–100%
	11	Dimmer Quadrant 1	000 ó 255	0–100%
	12	Strobe Quadrant 1	000 ó 019	No function
020 ó 249			0–20 Hz	
250 ó 255			No function	
	13	Red Quadrant 2	000 ó 255	0–100%
	14	Green Quadrant 2	000 ó 255	0–100%
	15	Blue Quadrant 2	000 ó 255	0–100%
	16	White Quadrant 2	000 ó 255	0–100%
	17	Dimmer Quadrant 2	000 ó 255	0–100%
	18	Strobe Quadrant 2	000 ó 019	No function
020 ó 249			0–20 Hz	
250 ó 255			No function	
	19	Red Quadrant 3	000 ó 255	0–100%
	20	Green Quadrant 3	000 ó 255	0–100%
	21	Blue Quadrant 3	000 ó 255	0–100%
	22	White Quadrant 3	000 ó 255	0–100%
	23	Dimmer Quadrant 3	000 ó 255	0–100%
	24	Strobe Quadrant 3	000 ó 019	No function
020 ó 249			0–20 Hz	
250 ó 255			No function	
	25	Red Quadrant 4	000 ó 255	0–100%
	26	Green Quadrant 4	000 ó 255	0–100%
	27	Blue Quadrant 4	000 ó 255	0–100%
	28	White Quadrant 4	000 ó 255	0–100%
	29	Dimmer Quadrant 4	000 ó 255	0–100%
	30	Strobe Quadrant 4	000 ó 019	No function
020 ó 249			0–20 Hz	
250 ó 255			No function	

DMX Values (cont.)

34chan (cont.)	Channel	Function	Value	Percent/Setting
31	Color Macro	000 ó 019	No function	
		020 ó 029	Macro 1	
		030 ó 039	Macro 2	
		040 ó 049	Macro 3	
		050 ó 059	Macro 4	
		060 ó 069	Macro 5	
		070 ó 079	Macro 6	
		080 ó 089	Macro 7	
		090 ó 099	Macro 8	
		100 ó 109	Macro 9	
		110 ó 119	Macro 10	
		120 ó 129	Macro 11	
		130 ó 139	Macro 12	
		140 ó 149	Macro 13	
		150 ó 159	Macro 14	
		160 ó 169	Macro 15	
		170 ó 179	Macro 16	
		180 ó 189	Macro 17	
		190 ó 199	Macro 18	
		200 ó 209	Macro 19	
		210 ó 219	Macro 20	
		220 ó 229	Macro 21	
		230 ó 239	Macro 22	
		240 ó 255	Macro 23	
32	Macro Speed	000 ó 255	0–100%	
33	Zoom	000 ó 255	0–100%	
34	Reset	000 ó 007	No function	
		008 ó 069	Reset pan/tilt	
		070 ó 129	Reset all	
		130 ó 190	Pan/tilt movement blackout	
		191 ó 205	Zoom presets	
		206 ó 255	No function	

5. TECHNICAL INFORMATION

Product Maintenance

To maintain optimum performance and minimize wear, you should clean this product frequently. Usage and environment are contributing factors in determining the cleaning frequency.

As a rule, clean this product at least twice a month. Dust build-up reduces light output performance and can cause overheating. This can lead to reduced light source life and increased mechanical wear.

To clean your product:

- Unplug the product from power.
- Wait until the product is at room temperature.
- Use a vacuum (or dry compressed air) and a soft brush to remove dust collected on the external vents.
- Clean all external surfaces with a mild solution of non-ammonia glass cleaner or isopropyl alcohol.
- Apply the solution directly to a soft, lint-free cotton cloth or a lens cleaning tissue.
- Wipe any dirt or grime to the outside edges of the lens surface.
- Gently polish the lens surfaces until they are free of haze and lint.



Always dry the external surfaces thoroughly and carefully after cleaning them.



Do not spin the cooling fans while blowing compressed air into them.

6. TECHNICAL SPECIFICATIONS

Dimensions and Weight	Length	Width	Height	Weight
	7.21 in (183 mm)	10.67 in (271 mm)	13.98 in (355 mm)	16.6 lb (7.5 kg)
Note: Dimensions in inches rounded to the nearest decimal digit.				
Power	Power Supply Type	Range		Voltage Selection
	Switching (internal)	100–240 VAC, 50/60 Hz		Auto-ranging
	Parameter	120 VAC, 60 Hz		230 VAC, 50 Hz
	Consumption	185 W		188 W
	Current	1.5 A		0.8 A
	Power linking current (products)	13.6 A (9 products)		13.6 A (17 products)
	Fuse/Breaker	T 6.3 A, 250 V		T 6.3 A, 250 V
	Power I/O	U.S./Canada		Worldwide
	Power input connector	Neutrik® powerCON® A		Neutrik® powerCON® A
	Power output connector	Neutrik® powerCON® B		Neutrik® powerCON® B
Power cord plug	Bare-wired		Bare-wired	
Light Source	Type	Power		Lifespan
	LED	10 W		50,000 hours
	Color	Quantity		Current
	Quad-color (RGBW)	12		2.9 A
Photo Optic	Parameter	Standard Optics		
	Illuminance (8°) @ 5 m	3,880 lux		
	Illuminance (33°) @ 5 m	330 lux		
	Beam angle	8° to 33°		
	Field angle	11° to 53°		
	Strobe rate	0–20 Hz		
Thermal	Max. External Temperature	Cooling System		
	113 °F (45 °C)	Fan-Assisted Convection		
DMX	I/O Connectors	Connector Type		Channel Range
	3- and 5-pin XLR	Sockets		15, 27, 31 or 34
Ordering	Product Name	Item Code		UPC Number
	Legend™ 412Z	06010780		781462211288



UL 1573
CSA C22.2 No. 166
E113093

Returns You must send the product prepaid, in the original box, and with the original packing and accessories. Chauvet will not issue call tags. Call Chauvet and request a Return Merchandise Authorization (RMA) number before shipping the product. Be prepared to provide the model number, serial number, and a brief description of the cause(s) for the return. Clearly label the package with an RMA number. Chauvet will refuse any product returned without an RMA number.



DO NOT write the RMA number directly on the box. Instead, write it on a properly affixed label.

Once you have received the RMA number, include the following information on a piece of paper inside the box:

- Your name
- Your address
- Your phone number
- The RMA number
- A brief description of the problem(s)

Be sure to pack the product properly. Any shipping damage resulting from inadequate packaging will be the customer's responsibility. FedEx packing or double-boxing are recommended.



Chauvet reserves the right to use its own discretion to repair or replace returned product(s).

CONTACT Us

WORLD HEADQUARTERS - Chauvet

General Information

Address: 5200 NW 108th Avenue
Sunrise, FL 33351
Voice: (954) 577-4455
Fax: (954) 929-5560
Toll free: (800) 762-1084

Technical Support

Voice: (954) 577-4455 (Press 4)
Fax: (954) 756-8015
Email: tech@chauvetlighting.com

World Wide Web

www.chauvetlighting.com

UNITED KINGDOM AND IRELAND - Chauvet Europe Ltd.

General Information

Address: Unit 1C
Brookhill Road Industrial Estate
Pinxton, Nottingham, UK
NG16 6NT
Voice: +44 (0)1773 511115
Fax: +44 (0)1773 511110

Technical Support

Email: uktech@chauvetlighting.com

World Wide Web

www.chauvetlighting.co.uk

MEXICO - Chauvet Mexico

General Information

Address: Av. Santa Ana 30
Parque Industrial Lerma
Lerma, Mexico C.P. 52000
Voice: +52 (728) 285-5000

Technical Support

Email: servicio@chauvet.com.mx

World Wide Web

www.chauvet.com.mx

Outside the U.S., United Kingdom, Ireland, or Mexico, contact your dealer. Follow their instructions to request support or to return a product. Visit our website for contact details.