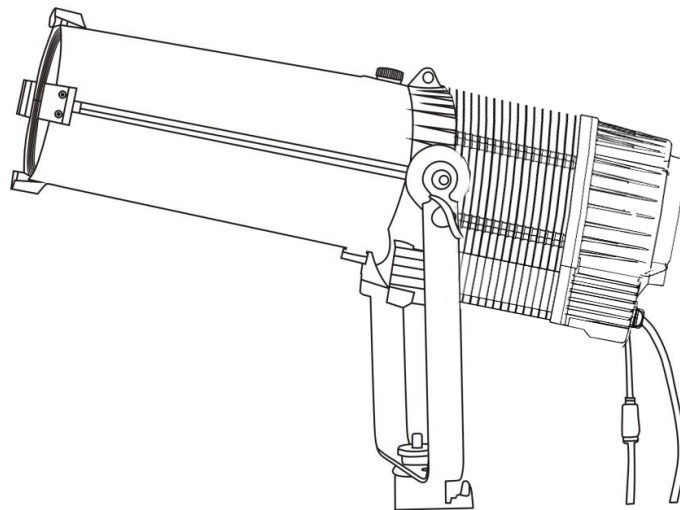





Luxé Cannon 600 Z IP (VW)



User Manual

CE RoHS  IP65

1 SAFETY INSTRUCTIONS



CAUTION

Becareful with your operations. With a dangerous voltage you can suffer a dangerous electric shock when touching wires!

This device has left the factory in perfect condition. In order to maintain this condition and to ensure a safe operation, it is absolutely necessary for the user to follow the safety instructions and warning notes written in this user manual.



IMPORTANT

Damages caused by the disregard of this user manual are not subject to warranty. The dealer will not accept liability for any resulting defects or problems.

If the device has been exposed to temperature changes due to environmental changes, do not switch it on immediately. The arising condensation could damage the device.

Leave the device switched off until it has reached room temperature.

This device falls under protection-class I. Therefore it is essential that the device be earthed.

The electric connection must carry out by qualified person. The device shall only be used with rate voltage and frequency.

Make sure that the available voltage is not higher than stated at the end of this manual.

Make sure the power cord is never crimped or damaged by sharp edges. If this would be the case, replacement of the cable must be done by an authorized dealer.

Always disconnect from the mains, when the device is not in use or before cleaning it. Only handle the power cord by the plug. Never pull out the plug by tugging the power cord.

During initial start-up some smoke or smell may arise. This is a normal process and does not necessarily mean that the device is defective, it should decrease gradually.

Please don't project the beam onto combustible substances.

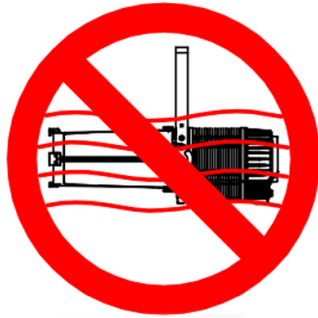
Fixtures cannot be installed on combustible substances, keep more than 50cm distance with wall for smooth air flow, so there should be no shelter for fans and ventilation for heat radiation.

If the external flexible cable or cord of this luminaire is damaged, it shall be exclusively replaced by the manufacturer or his service agent or a similar qualified person in order to avoid a hazard.

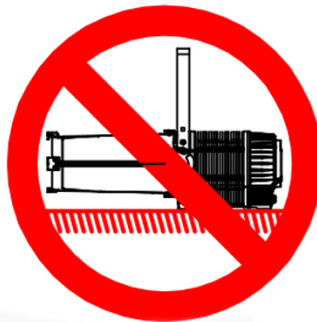


CAUTION!

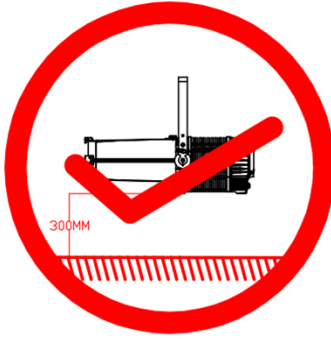
Please pay attention below warnings before using this fixture!



Don't Put Into Water!



No Enclosed Object Around This Fixture!



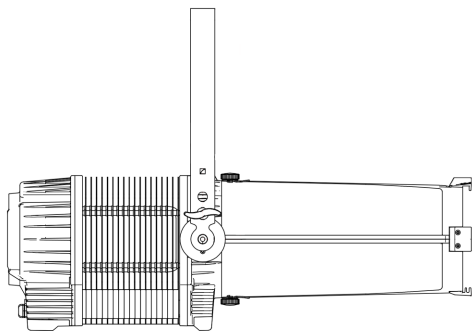
Put It 300MM Away From The Block!

2 Unpacking

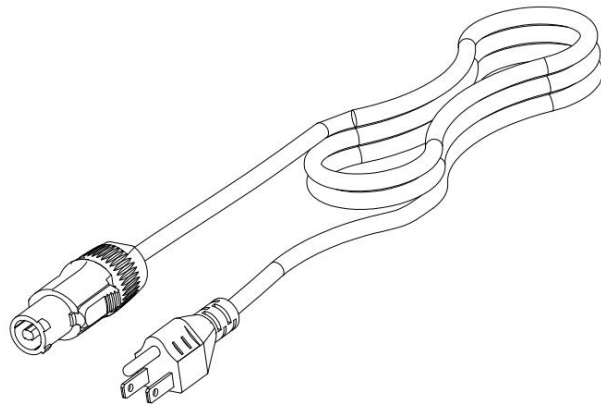
Thank you for choosing Leko Cannon 300 -CW+WW. For your own safety, please read this manual before installing the device. This manual covers the important information on installation and applications. Please install and operate the fixture with following instructions. Meanwhile, please keep this manual well for future needs.

The Leko Cannon 300 -CW+WW is made of a new type of high temperature strength of die cast aluminum casing with nice outlook. The fixture is designed and manufactured strictly following CE&RoHS standards, complying with international standard DMX512 protocol. It's available independently controlled and linkable with each other for operation. And it is applicable for large-scale live performances, theater, studio, nightclubs and discos.

The Leko Cannon 300 adopts 1PCS 600W COB LED (available for cool white+warm white 2in1) which features high brightness and stability. Please carefully unpack it when you receive the fixture and check whether it is damaged during the transportation. And please check whether the following items are included inside the box:



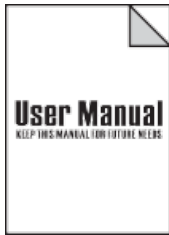
①



②

④

③



① Leko Cannon 300-CW+WW	1PC
② POWER cable	1PC
③ User Manual	1PC

3 FEATURES & SPECIFICATIONS

Feature:
* 1 * 300W COB LED (Cool White+Warm White 2in1)
* Color temperature: 3000K-6000K
* 50,000 hours life time and low power consumption
* Optimized high definition optical system for improved photometric performance and field uniformity
* Projector-quality, high contrast aspheric lens
* Glass reflector that removes greater than 90% infrared radiation (heat) and reflects greater than 95% of visible light
* Input Voltage: AC100-240V 50/60Hz
* Beam Angle: 15° to 30°
* Zoom Function: Auto zoom by DMX
* Shutter controlled by DMX (auto cutting to any shapes)
* Die casting aluminum housing design
* 4 kinds of dimming curve
* Dimming Frequency: 500HZ - 25000HZ optional
* High-quality optical system, glass aspherical
* 17 DMX channels
* Control Protocol: RDM / DMX , Auto run and Master/Slave control system
* LCD with touch screen
* Fan-less no noise Cooling system
* Working Temperature: -10°C~40°C
* IP65 protection rating

Specifications:

*Input Voltage:AC100-240V 50/60Hz

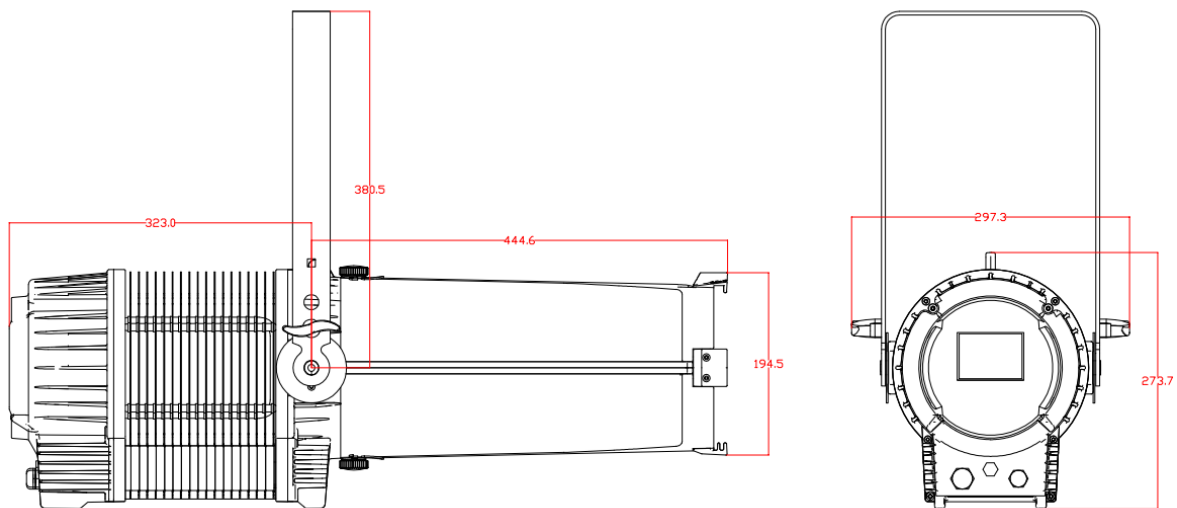
*Max. Power: 300W

*Net Weight: 16.5kg

*Gross Weight: 20kg

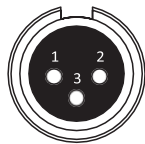
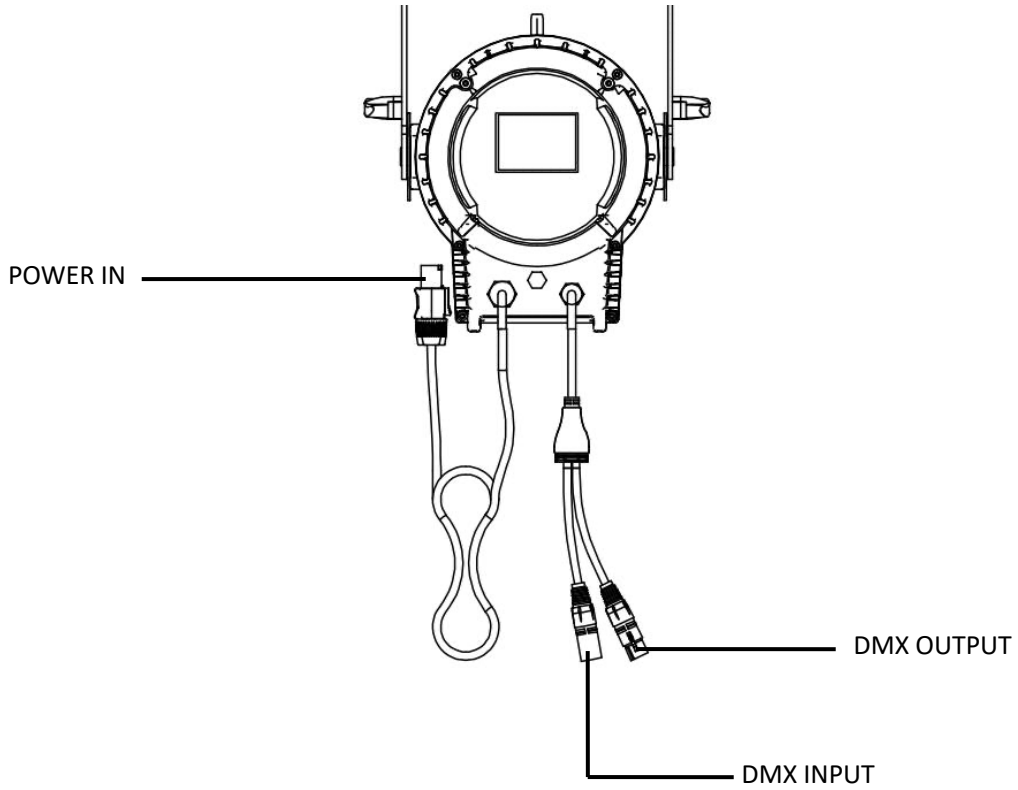
*Production size: 76.76*29.73*27.37CM

*Packing size: 86*37*35cm(1pc/carton)



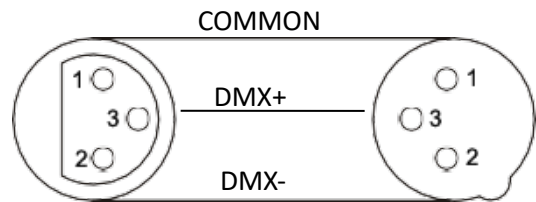
4 DMX-512 CONTROL CONNECTIONS

Connect the provided XLR cable to the female 3-pin XLR output of your controller and the other side to the male 3-pin XLR input of the moving head. You can chain multiple Moving head together through serial linking. The cable needed should be two core, screened cable with XLR input and output connectors. Please refer to the diagram below.
DMX-512 connection with DMX terminator



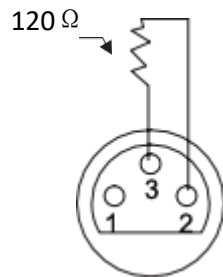
DMX Input
3-Pin XLR

- 1:Ground
- 2:Data(-)
- 3:Data(+)




DMX512 Out
3-Pin XLR

DMX512 In
3-Pin XLR



Pin3
Pin2



For installations where the DMX cable has to run a long distance or is in an electrically noisy environment, such as in a discotheque, it is recommended to use a DMX terminator. This helps in preventing corruption of the digital control signal by electrical noise. The DMX terminator is simply an XLR plug with a 120 Ω resistor connected between pins 2 and 3, which is then plugged into the output XLR socket of the last fixture in the chain. Please see illustrations below.

5 Product Feature

- **2 kinds of running model**
 - External control mode (Slave model)
 - ◆ DMX 512 controller control(2 kinds channel modes)
 - ◆ Master/salve model control (auto match the signal from controller and the Master light, no need to set by menu)
 - static mode (Master model)
 - ◆ It can fix any color without the controller ,also work this color with strobe
- **Non-linear dimmer and linear dimmer**
 - The speed of dimmer can be set under the controller control
- **Screen Protect**
 - It will enter blank screen without any operate on the keyboard in 30 seconds . Press any keys then it can quit screen protection.
- **Temperature Protection**
 - It can be set to temperature protection mode
- **Can be Reverse display**

Multi-light working in the same time

When using controller to control multi lights to work in strobe, the controller just send the channel data . The strobe effect will be depend on each light itself . And please take attention for the follow situation:

1. There will be many situations make the lights are not synchronization in the beginning. (For example: the different time of opening the light , or different time of them connect to the controller) .In this case, you can change value of the controller(for example push 20 to 0, and back to 20), then it can be synchronization.

2. Due to crystal frequency of different lights are not the same exactly, so it may not be synchronization after long time.

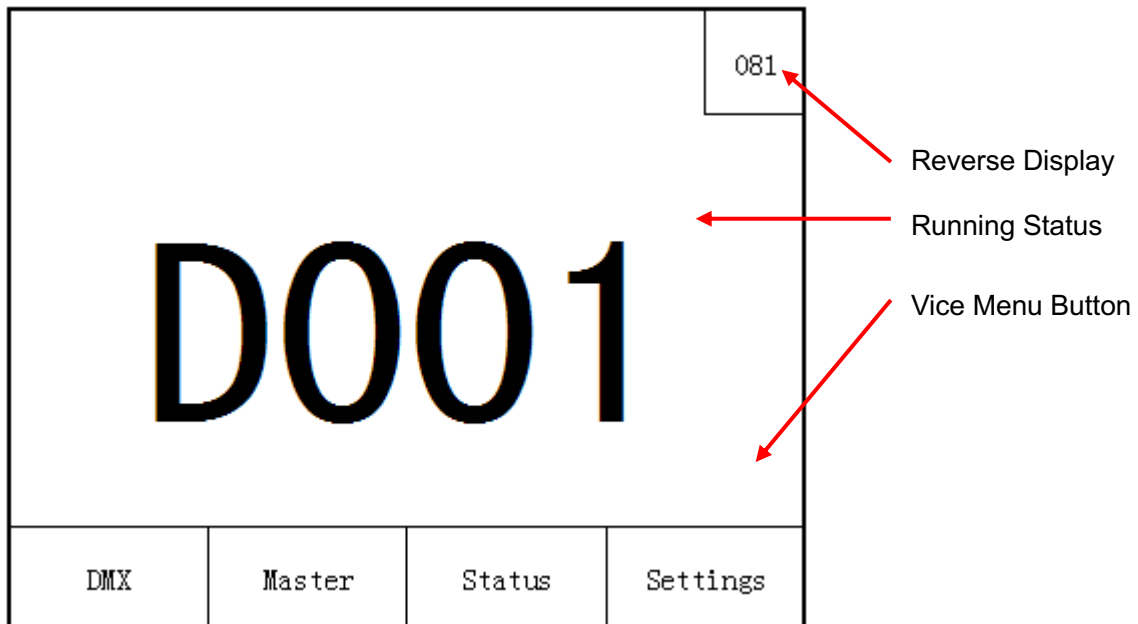
3. If need to keep synchronization for long time, there are two ways to do so:

A. Using the controller to edit program make the strobe, auto run effect,then they must be synchronization.

B. Using the Maser/Slave model

6 Main Menu

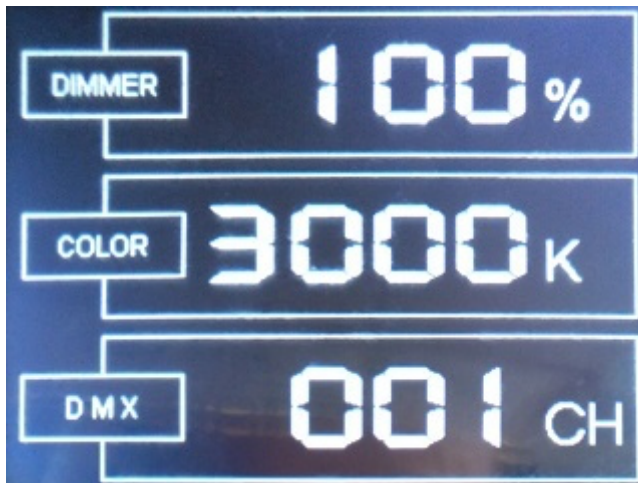
6.1 Main Menu



6.2 Operation Status

Mode	Display	Description
DMX Mode	Dxxx	“D”stand for DMX mode
Temperature Mode	M-WP	“M”stand for stand Master, “WP”stand for“White Point”

DMX Menu



Enter DMX mode:

1. If you are in DMX mode, the main menu will turn into DMX menu automatically after 5 seconds
2. Menu of DMX address (DMX mode) will turn into DMX menu automatically after 5 seconds

DMX Menu Operation:

1. DMX mode: When the DMX 512 signal is connected correctly and the data of channel 1 which is bigger than 0, use the received DMX data value for dimmer and temperature control

7 Vice Menu

7.1 Master Mode: (Color temperature)

Menu	State	Operation
White Point	Press "ok" to choose this mode	Choose Color temperature (3000~6000K)
Motor Control	Same as above	Control the motor

7.2 Motor Control

Remarks: The meaning of below menu data are completely the same as DMX channels data.
As "left"and "right" are relative concept, so the left point and right point of shutter separately use alphabet A, B for instead.

Menu	Data	Function	Remark
Reset			Push "Confirm" to reset
M1	0~255	M1、 M2 Position control	Push "Confirm" to edit
M2	0~63	M1、 M2 Angle control (Over Point A)	Point A gradually raise to the maximum angle
	64~127	M1、 M2Angle control (Back	Point A gradually drops to the level of point B

		to Point A)	
	128~191	M1、 M2 Angle control (Over Point B)	Point B gradually raise to the maximum angle
	192~255	M1、 M2 Angle control (Back to Point B)	Point B gradually drops to the level of point A
M3	0~255	M3、 M4 Position control	Refer to M1
M4	0~255	M3、 M4 Angle control	Refer to M2
M5	0~255	M5、 M6 Position control	Refer to M1
M6	0~255	M5、 M6 Angle control	Refer to M2
M7	0~255	M7、 M8 Position control	Refer to M1
M8	0~255	M7、 M8 Angle control	Refer to M2
Auto Zoom	0~255	Auto Zoom	
Focus adjustment	0~255	Focus adjustment	
Gobo	0~127	Gobo angle	
	128~191	Gobo rotation	
	192~255	Gobo rotation (reverse)	
Iris	0~255	Iris	
Macro	0~63	No function	
	64~255	Built-in shape cutting	

7.3 Status

Software	Name of software
Version	Version
Temperature	Show the current temperature of the fixture
DMX Status	Show“OK”(Slave , with DMX signal) , “NONE”(Slave , without DMX signal)、 “Master” (Master)
.....	(other)

7.4 Setting

Menu	State	Option	Mark
Touch Screen Calibration	Touch Screen Calibration		
Reset Calibration			
Dimmer Frequency	Choose the dimmer	500HZ	Increase or decrease
		

	frequency		with data of 100HZ
		25000HZ	
Dimmer Curve	Choose the dimmer curve	Standard	
		Incandescent	
		Linear	
		Quick	
Over Temperature	Set the protect temperature	45~95	Increase or decrease with data of 5
Backlight	Adjust the Backlight brightness	10%~100%	Increase or decrease with data of 5%
Backlight Timeout	Set the screen protect time	screen protect or screen protect after 5~60 seconds	Increase or decrease with data of 5
Load Factory Settings	Reset		

8 DMX CHANNELS

17CH

Channel	Data	Function			Remark
1	0~255	Dimmer			
2	0~11	3000K	Color temperature 1	8 = 1*8	Totally 31 kinds of color temperature. Quick color: If you need the color of N, then take the data value of N*8. For example you need the color 1: 1*8, to push the channel data in 8.
	12~19	3100K	Each 8 data is for a color temperature	16 = 2*8	
	20~235	3200K~5800K		(V = N*8)	
	236~243	5900K		240 = 30*8	
	244~255	6000K	Color temperature 31	248 = 31*8	
3	0~10	No function			
	11~255	Strobe Speed(255 fastest)			
4	0~255	M1, M2 position control			
5	0~63	M1, M2 Control straight up and down by channel 3			
	64~127	M1, M2 Angle adjustment(big data, big angle)			
	128~191	M1, M2 back to original position			
	192~255	M1, M2 Reverse angle adjustment,(big data, big angle)			
6	0~255	M3, M4 position control			
7		M3, M4 position control(refer to channel 4)			
8	0~255	M5, M6, position control			
9		M5, M6, position control (refer to channel 4)			
10	0~255	M7, M8 position control			
11		M7, M8 position control (refer to channel 4)			
12	0~255	Auto Zoom			
13	0~255	Focus adjustment			
14	0~255	Gobo control-optional	Reserve channel for gobo control		
15	0~255	Iris control-optional	Reserve channel for iris control		
16	0~63	No function			
	64~255	Built-in shape cutting			
17	0~249	No function			
	250~255	Motor reset			

9

OPERATION & SPECIFICATIONS

- The Leko Cannon 300 is for on-site decoration purpose.
- Don't turn on the fixture if it's been through severe temperature difference like after transportation because it might damage the light due to the environment changes. So make sure to operate the fixture until it is in normal temperature.
- This light should be keep away from strong shaking during any transportation or movement.
- Don't pull up the light by only the head, or it might cause damages to the mechanical parts.
- Don't expose the fixture in overheat, moisture or environment with too much dust when installing it. And don't lay any power cables on the floor. Or it might cause electronic shock to the people.
- Make sure the installation place is in good safety condition before installing the fixture.
- Make sure to put the safety chain and check whether the screws are screwed properly when installing the fixture.
- Make sure the lens are in good condition. It's recommended to replace the units if there are any damages or severe scratch.
- Make sure the fixture is operated by qualified personnel who knows the fixture before using.
- Keep the original packages if any second shipment is needed.
- Don't try to change the fixtures without any instruction by the manufacturer or the appointed repairing agencies.
- It is not in warranty range if there are any malfunctions from not following the user manual to operate or any illegal operation, like shock short circuit, electronic shock, lamp broke, etc.

10

INSTALLATIONS

For added protection mount the fixtures in areas outside walking paths, seating areas, or in areas where the fixture might be reached by unauthorized personnel.

Before mounting the fixture to any surface, make sure that the installation area can hold a minimum point load of 10 times the device's weight.

Fixture installation must always be secured with a secondary safety attachment, such as an appropriate safety cable.

Never stand directly below the device when mounting, removing, or servicing the fixture.

From a ceiling, or set on a flat level surface (see illustration below). Be sure this fixture is kept at least 0.5m (1.5 ft) away from any flammable materials (decoration etc.).

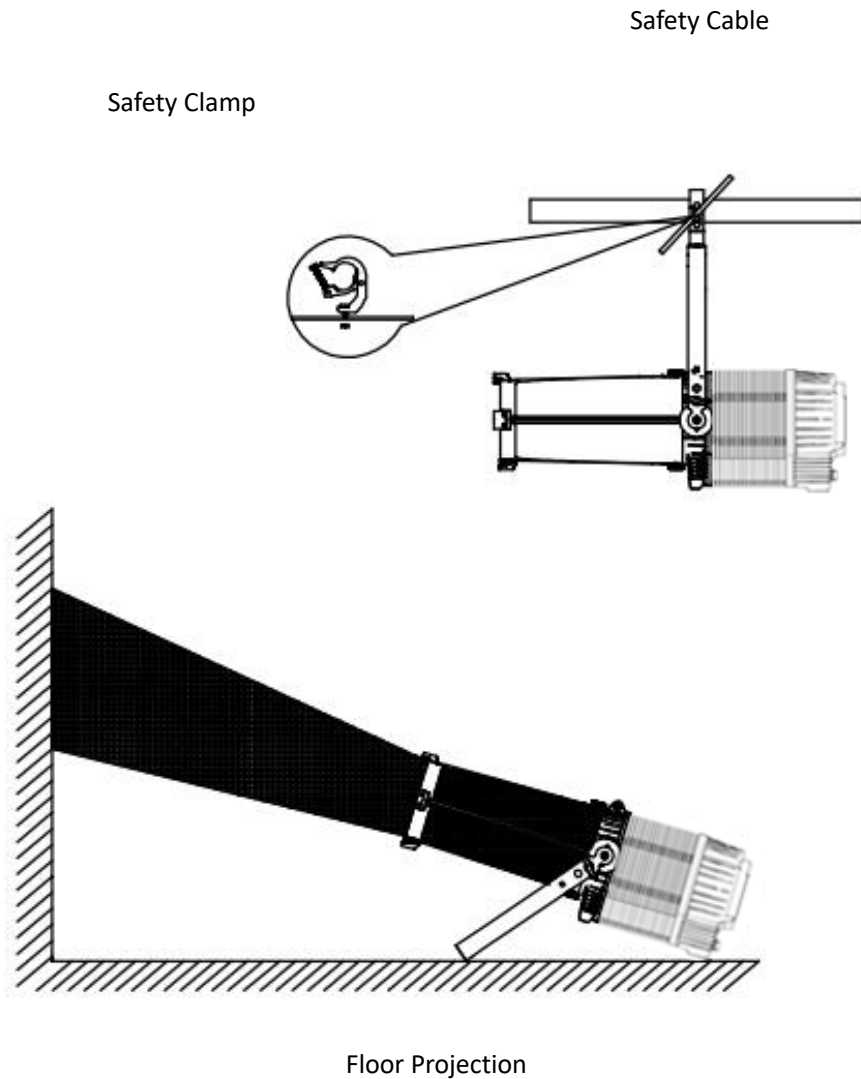
Please ensure that the led profile spotlight is hung using the appropriate "C" clamp or half cheeseboro. A safety chain or cable should also be used as a secondary point of holding the fixture in case the clamp comes loose. Never hang the fixture without a safety chain or cable.

There is an eye-bolt on the back of the fixture to which the safety chain or cable can threaded through and then hung from the secondary point.

If you are not qualified or have any doubts about hanging the led profile spotlight then do NOT hang it.

Do not clamp the safety cable to the U bracket or clamp. That is not a secondary safety point. A secondary safety point is any point that will adequately hold the led profile spotlight if the "C" clamp or half cheesboro fails.

Then the safety cable would be the backup and stop the fixture from falling to the ground. So do NOT fix the safety cable to the same place that the "C" clamp is attached





Cleaning and maintenance

Now ignoring maintenance and cleaning is very good way of creating problems "down the road" and many companies and installations do just that. However the net result is, no matter what the fixture, premature failure!

Changing the oil in a car, most people do on a regular basis.

So with the fixtures, regular maintenance it an excellent practice, if you want the fixtures to last.

So what is the maintenance for the fixture?

Clean the light!

Turn off the led profile spotlight.

Using a small vacuum cleaner, suck the dust and "fur balls" out.

Do not use a can of co². That will just blast the dust and dirt everywhere!

The front lens should be cleaned so the light output is maintained.

The shutter blades sometimes require cleaning as well.

With the led profile spotlight turned off, use only a moist lint-free cloth. Never use alcohol or solvents to clean the fixture.

Never spray anything onto the fixture at the front or in any place on the fixture.