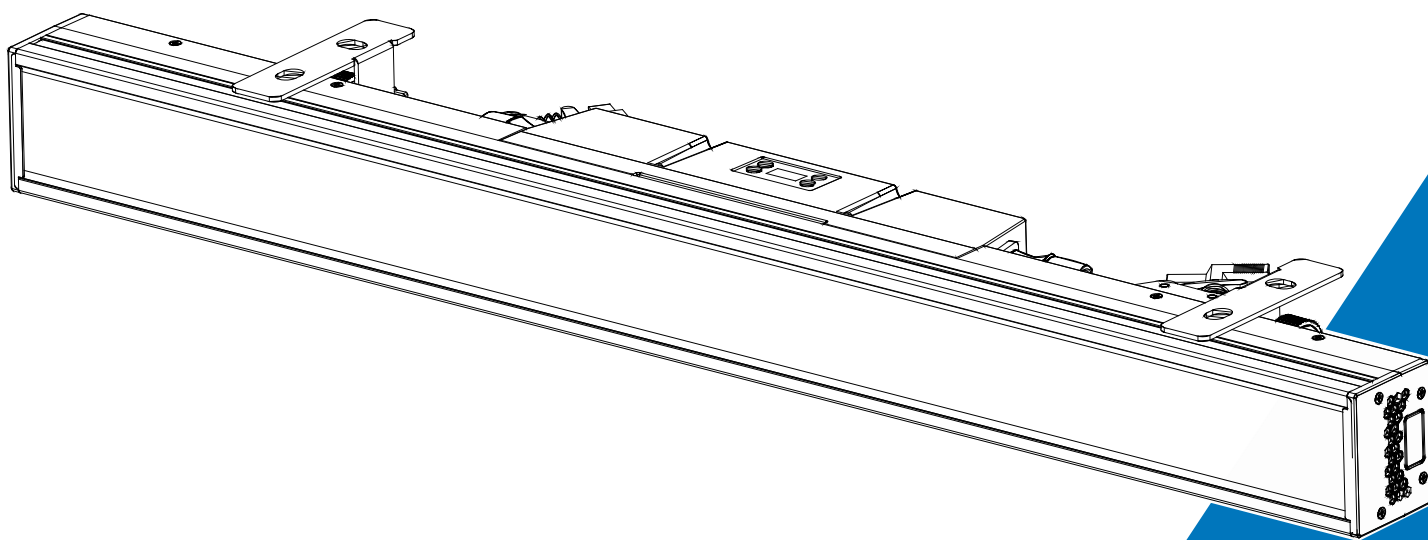




PIXEL LINE IP



User Manual

Please read the instruction carefully before use

目 录

1. Safety Instructions	2
2. Technical Specifications.....	4
3. Control Panel	6
4. Fixture Installation	8
5. How To Set The Unit	11
5.1 Main Function.....	11
5.2. Home Position Adjustment.....	18
6. Control By Universal DMX Controller.....	21
6.1 DMX512 Connection	21
6.2 Address Setting	22
6.4 DMX512 Configuration.....	23
7. Error Information	47
8. Troubleshooting	48
9. Fixture Cleaning	49

1. Safety Instructions



Please read the instruction carefully which includes important information about the installation, usage and maintenance.

WARNING

Please keep this User Guide for future consultation. If you sell the unit to another user, be sure that they also receive this instruction manual.

Important:

Damages caused by the disregard of this user manual are not subject to warranty. The dealer will not accept liability for any resulting defects or problems.

- Unpack and check carefully to ensure that there is no transportation damage before using the unit.
- This product is suitable for wet locations. Do not immerse in water.
- DO install and operate by qualified operator.
- DO NOT allow children to operate the fixture.
- Use safety chain (made of steel, min diameter 2.0mm) when fixing the unit. Handle the unit by carrying its base instead of head only.
- The unit must be installed in a location with adequate ventilation, at least 50cm from adjacent surfaces.
- Be sure that no ventilation slots is blocked, otherwise the unit will be overheated.
- Before operation, ensure that you are connecting this product to the proper voltage in accordance with the specifications in this manual or on the product's specification label.
- It's important to ground the yellow/green conductor to earth in order to avoid electric shock.
- Minimum ambient temperature TA: 0°C. Maximum ambient temperature TA: 40°C. Do not operate this product at a lower or higher temperature.
- DO NOT connect the device to any dimmer pack.
- Keep flammable materials away from the fixture while operating to avoid fire hazard.
- Make sure the power cord is not crimped or damaged; replace it immediately if damaged.
- Unit's surface temperature may reach up to 65°C. DO NOT touch the housing bare-handed during its operation.
- Avoid any flammable liquids, water or metal from entering the unit. Once it happens, cut off

the mains power immediately.

- DO NOT operate in a dirty or dusty environment. DO clean the fixture regularly.
- DO NOT touch any wire during operation as there might be a hazard of electric shock.
- Avoid entanglement of the power cord with other wires.
- The minimum distance to objects/surface must be more than 0.5 meters.
- In the event of serious operating problem, stop using the unit immediately.
- Never turn on and off the unit time after time.
- The housing, the lenses, or the ultraviolet filter must be replaced if they are visibly damaged.
- DO NOT open the housing as there are no user serviceable parts inside.
- DO NOT attempt to operate this unit if it becomes damaged. DO NOT attempt any repairs yourself. Repairs carried out by unskilled people can lead to damage or malfunction. Please contact the nearest authorized technical assistance center if needed.
- Disconnect this product from its power source before servicing.
- DO use the original packaging if the device is to be transported.
- Avoid direct eye exposure to the light source while the product is on.
- DO NOT operate this product if you see damage on the housing, shields, or cables. Have the damaged parts replaced by an authorized technician at once.

2. Technical Specifications

Power Voltage:

100-240V~ 50/60Hz

Power Consumption:

420W

Light Source:

Colored Light: 672*0.5W

White Light: 112*3W

Beam Angle:

RGB Beam Angle: 101°

CW Beam Angle: 108°

Field Angle:

RGB Field Angle: 149°

CW Field Angle: 152°

Dimmer/Shutter:

Smooth dimming from 0-100%; outstanding strobe effect with variable speed

Control:

DMX Channel: 7CH/15CH/21CH/39CH/112CH/17CH/33CH/65CH/68CH/117CH/70CH

Control Mode: DMX512, RDM, Art-Net, sACN

Firmware Upgrade via DMX link

Construction:

Display: OLED display

Data In/Out: Waterproof 3/5-pin XLR and RJ45 Connector

Listed 5-15P or 6-15P plug molded with SJTW flexible cord with rating: 300V, 105 °C, VW-1, 16AWG x 3C, molded with attachment plug and cord connector model SAC3FX with rating 250VAC, 16A by "Ningbo Haishu District Seetronic Electronic Co Ltd ". The length of power cord shall be at least 914mm (It is to be measured from the face of the attachment plug to the face of the CordConnector)".

Power In/Out: Waterproof Power Connector in/out

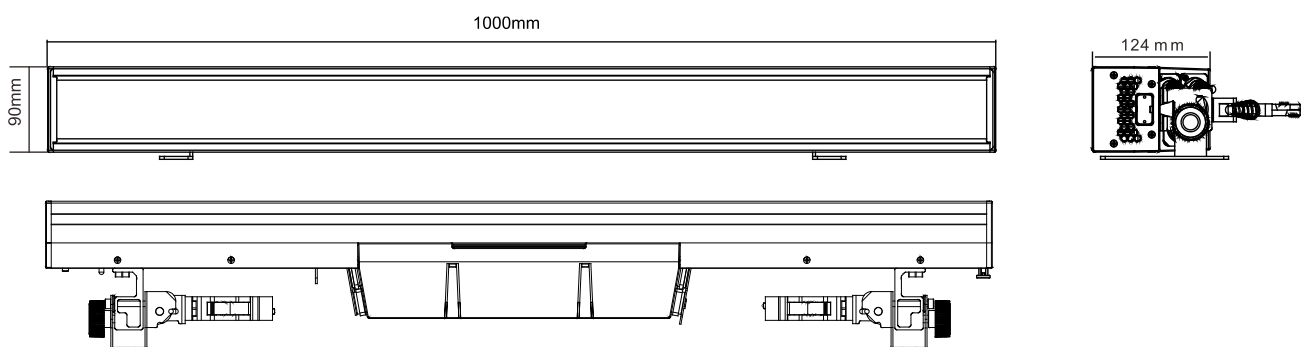
Protection Rating: IP66

Features:

- 32 x RGB led zones can be controlled individually
- 16 x CW led zones can be controlled individually
- Smooth dimming from 0-100%
- Built-in splicing plug for quick alignment
- 2 Lamp holder fixed folding lamp Hook, various installation options
- Outstanding color mixing effect
- High output strobe effect
- Multiple units can be split-jointed with tool-free junction buckle design
- Applying the Smart Glass as frontal glass, providing changable frosted/transparent effect
- Four optional smooth dimming curves to meet with different effect applications

Dimension/Weight:

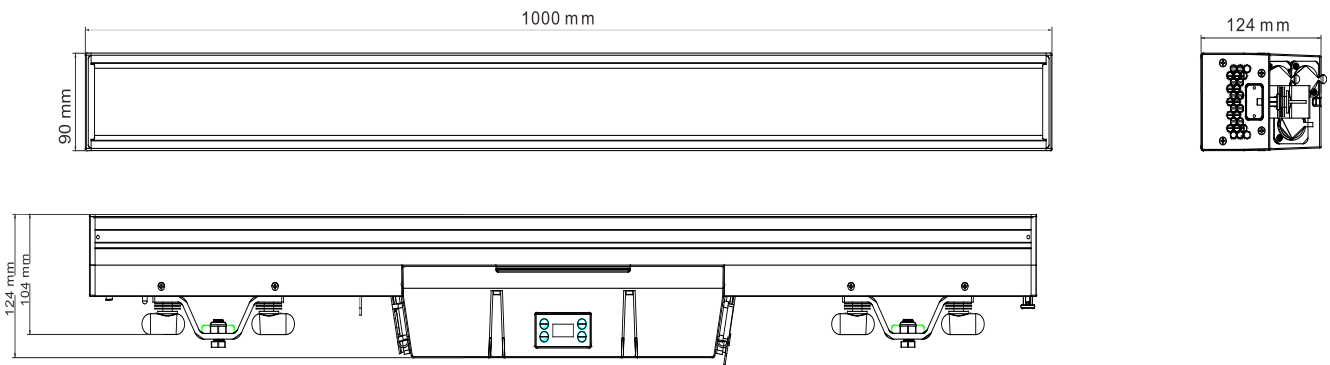
- 1000x124x90mm, 8.5kgs
- 39.4"x4.9"x3.5" in, 18.7lbs



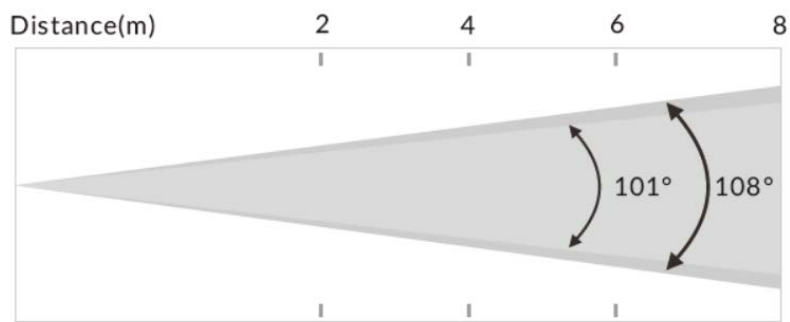
Optional Omega Bracket Base:

Dimension/Weight:

- 1000x124x90mm, 8kgs
- 39.4"x4.9"x3.5" in, 17.6lbs



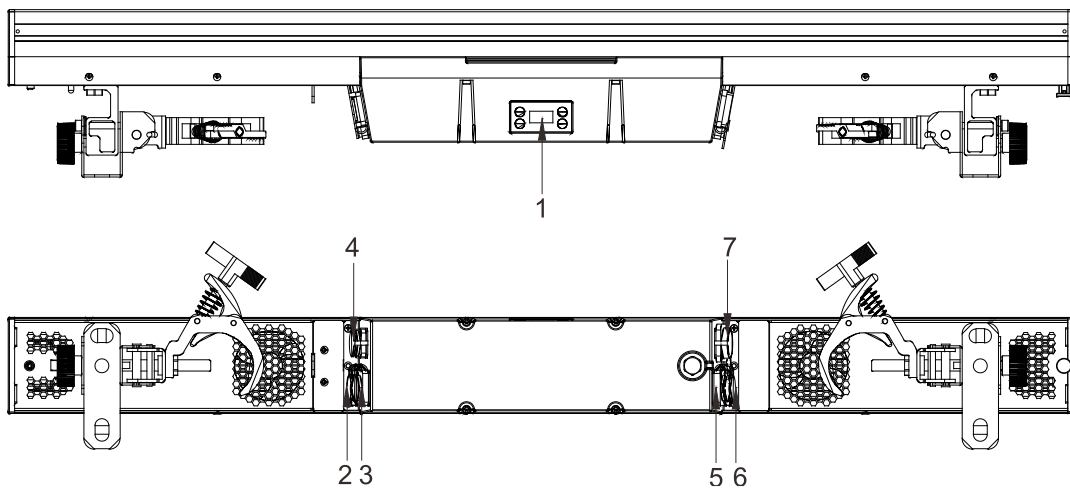
Photometrics Diagram::



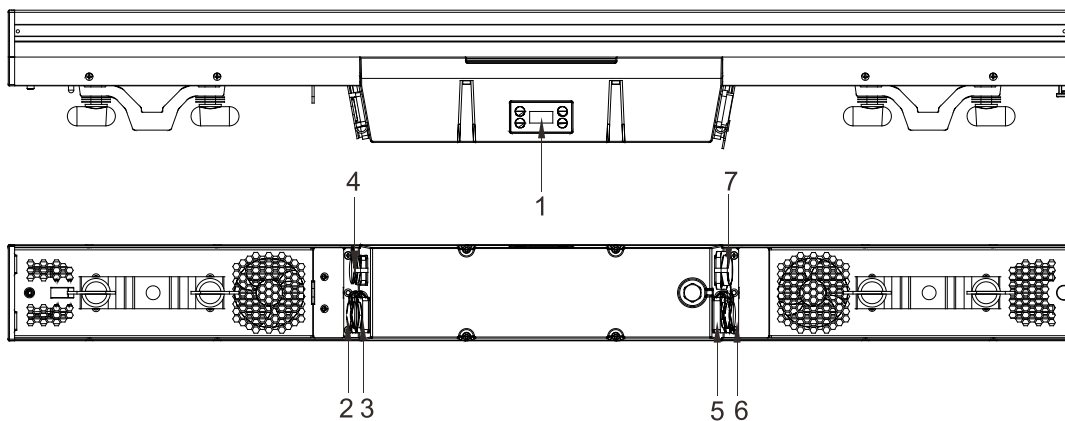
	2	4	6	8
101° RGB Lux	1,163	291	129	73
Diameter(m)	12.7	25.3	38	51
108° CW Lux	2,919	730	324	182
Diameter(m)	12.7	25.3	38	51

3. Control Panel

Folding light hook:



Optional Omega Bracket Base:



1. Display: To show the various menus and the selected function

Button:

MENU	To enter into move backward or leave the menu
▲ UP	To go backward to move up in the menu
▼ DOWN	To go forward to move down in the menu
ENTER	To perform the desired functions

2.ETHERNET: Connect to the network

3. DMX IN:

For DMX512 link, use 3-pin XLR cable to link the unit and DMX controller (5-pin XLR optional)

4. POWER IN(POWER Version): To connect to supply power

5. POWER IN(POWER Version): To connect to next fixture

6. ETHERNET: Connect to the network

7. DMX IN:

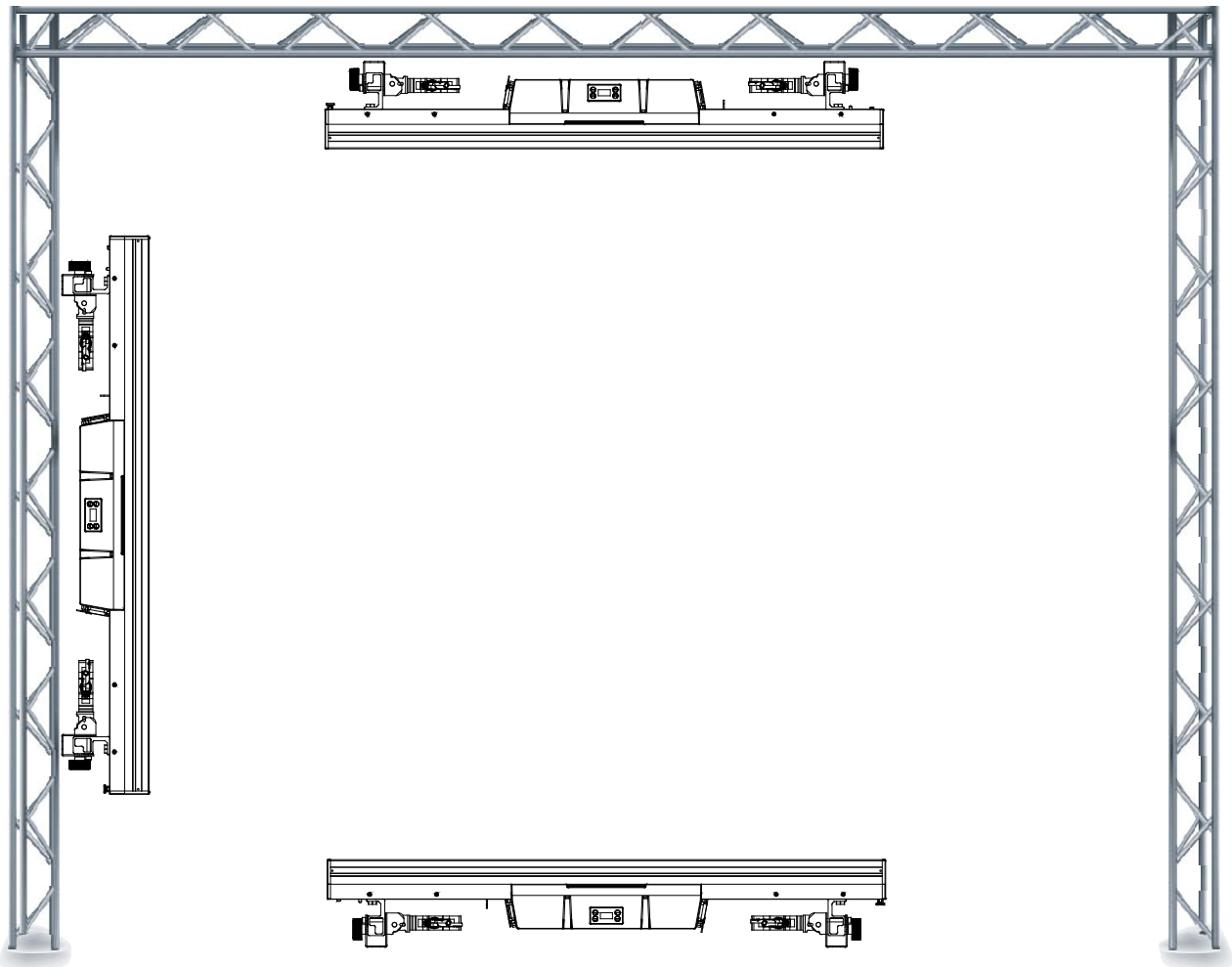
For DMX512 operation, use 3-pin XLR cable to link the next units (5-pin XLR is optional)

4. Fixture Installation

DO install and operate by qualified operator. Fixture(s) should be installed in areas outside walking paths, seating areas, or away from areas where unauthorized personnel might reach the fixture by hand. NEVER stand directly below the fixture(s) when rigging, removing or servicing.

Always ensure that the unit is firmly fixed to avoid vibration and slipping off during operation. Ensure that the trussing or area of installation must be able to hold 10 times the weight without any deformation. Always attach a safety cable (made of steel, min diameter 2.0mm) that can hold at least 12 times the weight of the fixture whenever installing this fixture in a suspended environment to ensure that the fixture will not fall if the clamp fails.

This fixture is fully operational in three different mounting positions: hanging upside-down, mounted sideways on trussing, or fix on a flat level surface (such as the ground or a wall). Always use and install the supplied safety cable as a safety measure to prevent accidental damage and/or injury in the event the clamp fails.



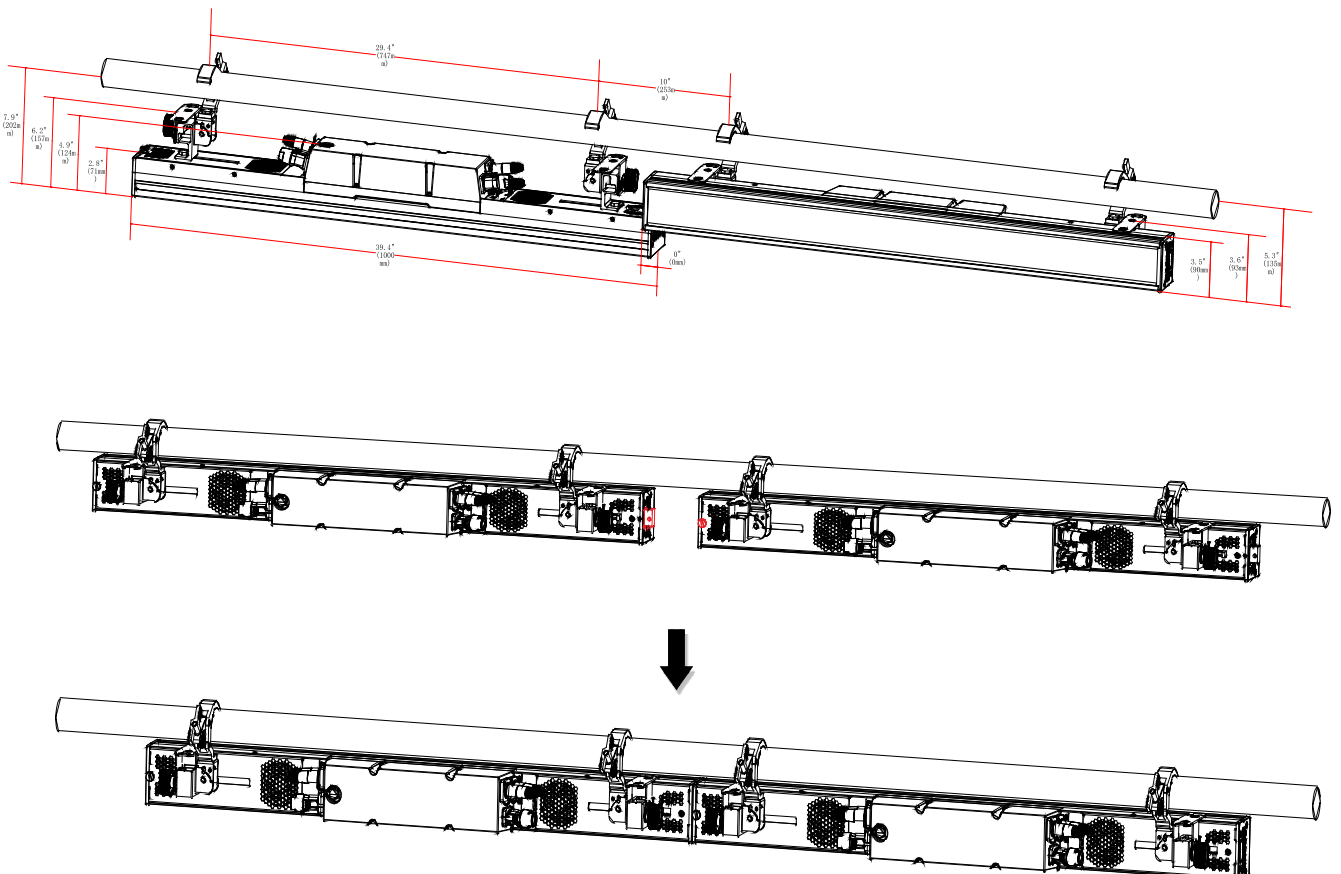
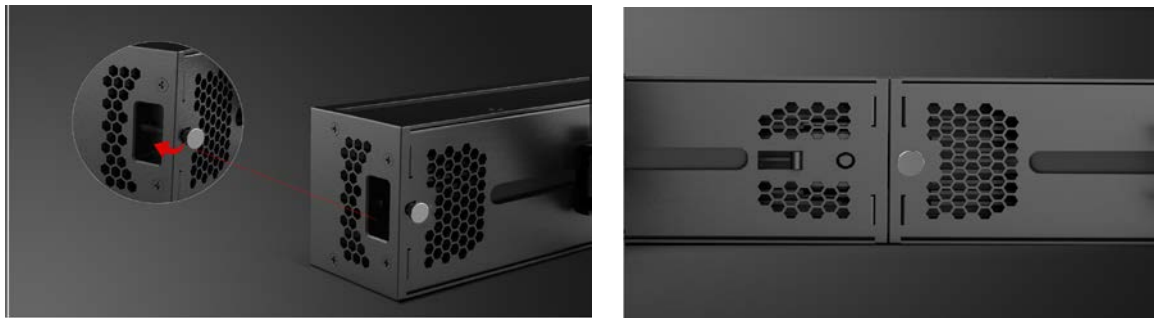
2.Splicing:

For Assembly steps, see the figure below

1. Press this connector, and the built-in component pops up

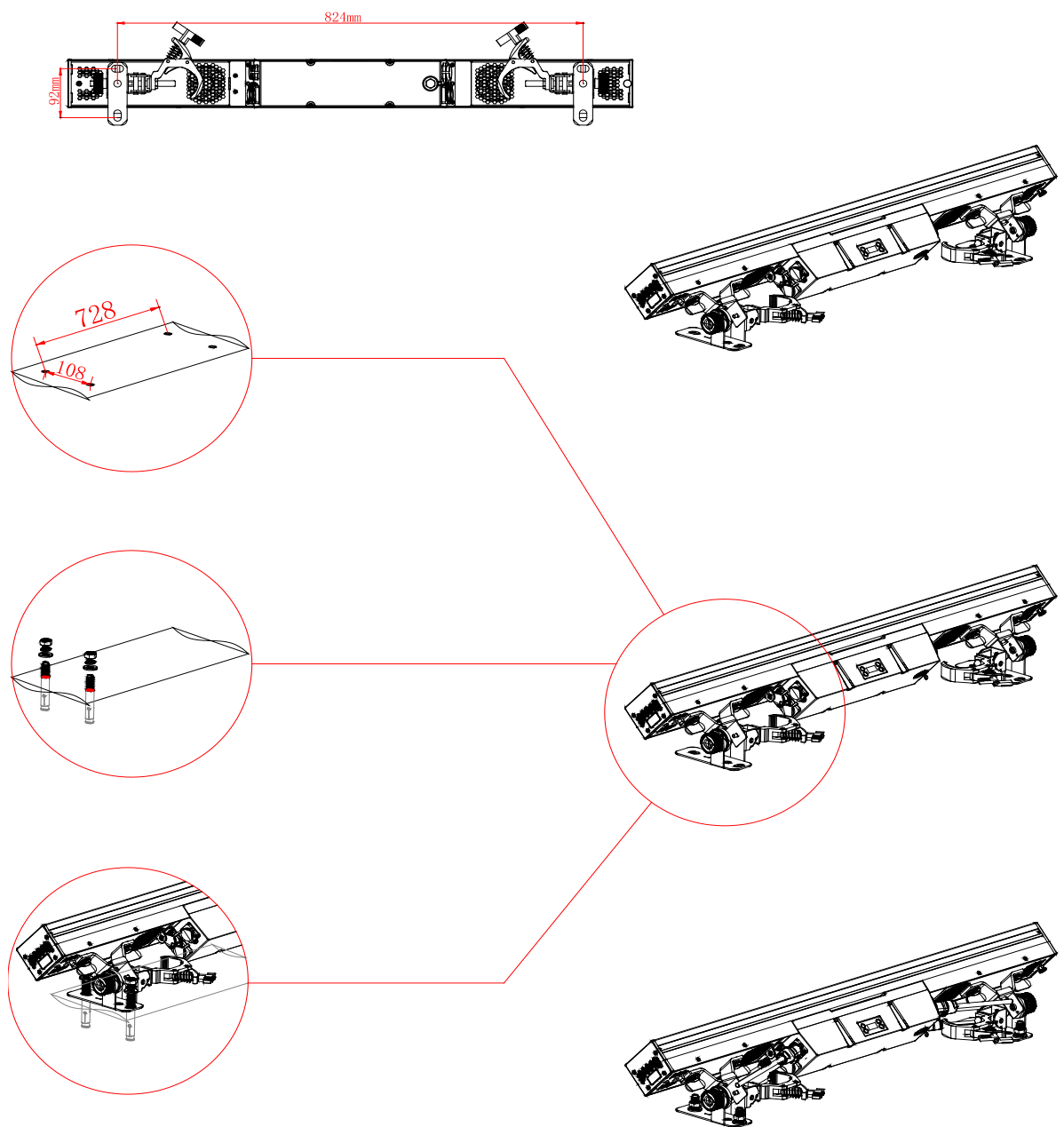


2. After the machine splices the two pis together, pull the latch piece, and the built-in self-locking latch piece is then spliced together with the connecting piece.



Fix the fixture on a flat level surface (such as the ground or a wall):

1. Drill four expansion screw holes (for M12 expansion screws) on a flat level surface (such as the ground or a wall) according to the size shown in Figure ①.
2. As shown in Figure ②, unscrew the washers and nuts of the expansion screws, and insert the expansion screw tubes and screws into the drilled screw holes.
3. As shown in Figure ③, align the holes on the brackets of the fixture with the four screws, then put the washers and nuts of the expansion screws in turn and tighten them with a wrench.
4. After tightening the nuts, check whether the fixture is installed firmly, then adjust the fixture to the required angle through the bracket knob.



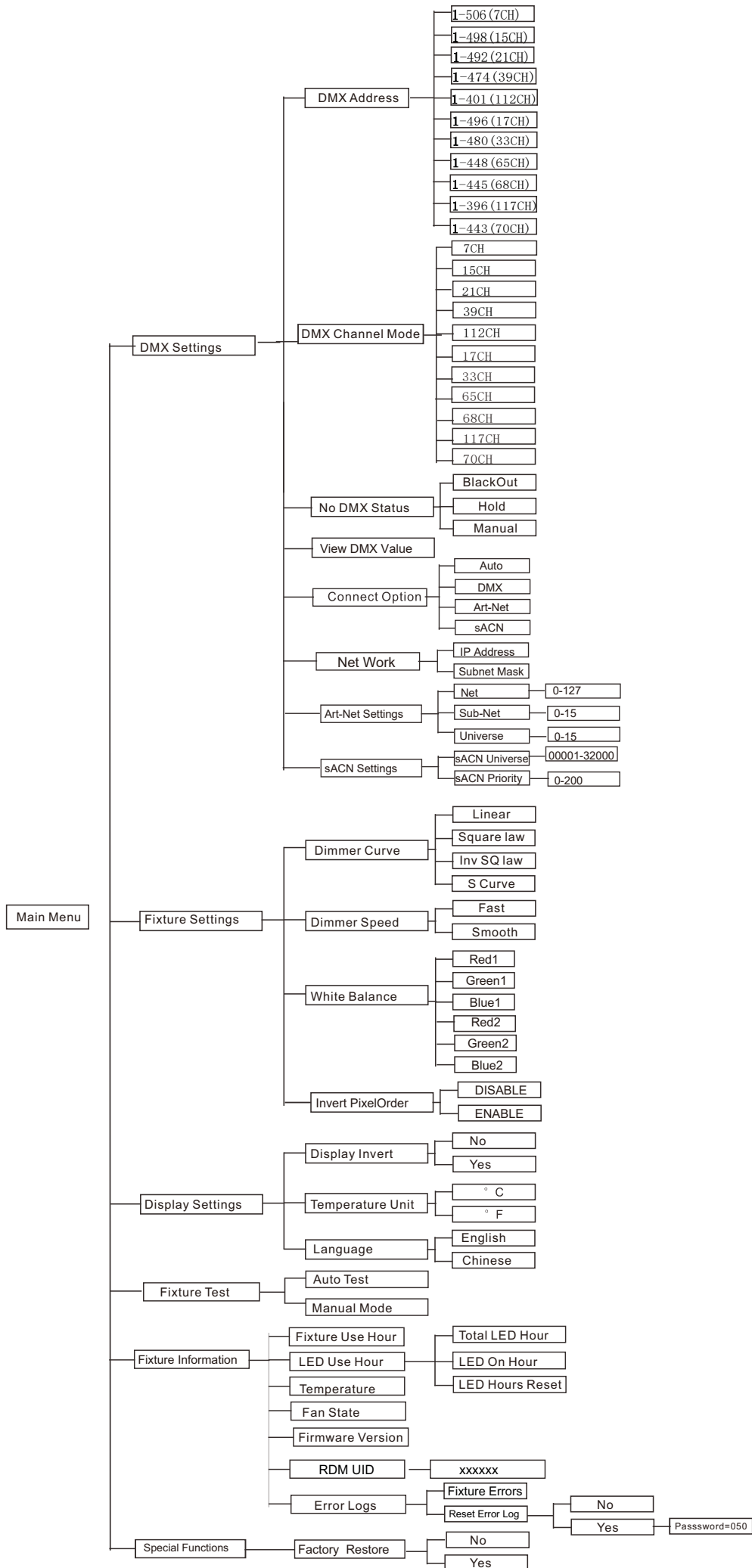
5. How To Set The Unit

5.1 Main Function

Turn on the unit, press the MENU button into menu mode, and press the UP/DOWN button until the required function is shown on the monitor. Select the function by pressing the ENTER button. Use the UP/DOWN button to choose the submenu, press the ENTER button to store and automatically return to the last menu. Press the MENU button or let the unit idle 30 seconds to exit menu mode.

The screen will be automatically locked if there is no operation for a long time, and can be unlocked by long-pressing the MENU button.

The main functions are shown below:



DMX Settings

To select **DMX Settings**, press the **ENTER** button to confirm, use the **UP/DOWN** button to select **DMX Address, DMX Channel Mode, No DMX State ,View DMX Value,Connect Option, Network, Art-Net Settings** or **sACN Settings**.

DMX Address

To select **DMX Address**, press the **ENTER** button to confirm. Use the **UP/DOWN** button to adjust the address from **001~506/498/492/474/401/496/480/448/445/396/443**, press the **ENTER** button to store. Press the **MENU** button back to the last menu or let the unit idle 30 seconds to exit menu mode.

DMX Channel Mode

To select **DMX Channel Mode**, press the **ENTER** button to confirm. Use the **UP/DOWN** button to select **7CH/15CH/21CH/39CH/112CH/17CH/33CH/65CH/68CH/117CH/70CH**, press the **ENTER** button to store. Press the **MENU** button back to the last menu or let the unit idle 30 seconds to exit menu mode.

No DMX Status

To select **No DMX Status**, press the **ENTER** button to confirm. Use the **UP/DOWN** button to select **BlackOut**(fixture blacks out if DMX signal stops) , **Hold**(fixture continues to obey the last command it received Via DMX if DMX signal stops)or **Manual**((When DMX signal is disconnected, the device runs in manual mode)), press the **ENTER** button to store. Press the **MENU** button back to the last menu or let the unit idle 30 seconds to exit menu mode.

View DMX Value

To select **View DMX Value** , press the **ENTER** button to confirm. The current DMX value is displayed on the display screen. Press the **MENU** button back to the last menu or let the unit idle 30 seconds to exit menu mode.

Connect Option

To select **Connect Option**, press the **ENTER** button to confirm. Use the **UP/DOWN** button to select **Auto, DMX, Art-Net** or **sACN**, press the **ENTER** button to store. Press the **MENU** button back to the last menu or let the unit idle 30 seconds to exit menu mode.

Network

To select **Network**, press the **ENTER** button to confirm. Use the **UP/DOWN** button to select **IP Address** or **Subnet Mask**, press the **ENTER** button to store. Press the **MENU** button back to the last menu or let the unit idle 30 seconds to exit menu mode.

Art-Net Settings

To select **Art-Net Settings**, press the **ENTER** button to confirm. Use the **UP/DOWN** button to select **Net**, **Subnet** or **Universe**, press the **ENTER** button to store. Press the **MENU** button back to the last menu or let the unit idle 30 seconds to exit menu mode.

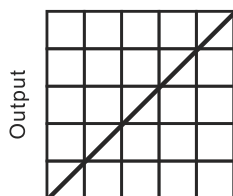
sACN Settings

To select **sACN Settings**, press the **ENTER** button to confirm. Use the **UP/DOWN** button to select **sACN Universe** or **sACN Priority**, press the **ENTER** button to store. Press the **MENU** button back to the last menu or let the unit idle 30 seconds to exit menu mode.

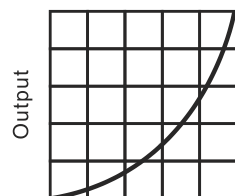
Dimmer Curve

To select Dimmer Curve, press the **ENTER** button to confirm. Use the **DOWN/UP** button to select **Linear**, **Square Law**, **Inv SQ Law** or **S Curve**, press the **ENTER** button to store. Press the **MENU** button back to the last menu or let the unit idle 30 seconds to exit menu mode.

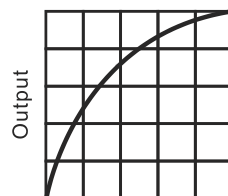
Dimmer Modes



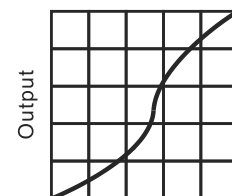
Optically Linear



Square Law



Inverse Square Law



S-curve

Dimmer Speed

To select **Dimmer Speed**, press the **ENTER** button to confirm. Use the **UP/DOWN** button to select **Fast**, **Smooth** or **Tungsten**, press the **ENTER** button to store. Press the **MENU** button back to the last menu or let the unit idle 30 seconds to exit menu mode.

White Balance

To select **White Balance**, press the **ENTER** button to confirm. Use the **UP/DOWN** button to select **Red1**, **Green1**, **Blue1**, **Red2**, **Green2**, **Blue2**, and press the **ENTER** button to save. Press the **MENU** button to return to the previous menu or wait one minute to automatically exit the menu mode.

Invert PixelOrder

To select **Invert PixelOrder**, press the **ENTER** button to confirm, the current mode will be displayed on the display, and use the **UP/DOWN** buttons to select: **DISABLE** and **ENABLE**, press the **ENTER** button to save. Press the **MENU** button to go back to the previous **MENU** or wait 30 seconds to automatically exit **MENU** mode.

Display Settings

To select **Display Settings**, press the **ENTER** button to confirm, use the **UP/DOWN** button to select **Display Invert, Temperature Unit** or **Language**.

Display Invert

Select **Display Invert**, press the **ENTER** button to confirm, present mode will blink on the display, use the **UP/DOWN** button to select **No** (normal display) or **Yes** (invert display), press the **ENTER** button to store. Press the **MENU** button back to the last menu or let the unit idle 30 seconds to exit menu mode.

Temperature Unit

To Select **Temperature Unit**, press the **ENTER** button to confirm, select **LED**, press the **ENTER** button to confirm, fixture's current temperature and max temperature of the LED will show on the display, press the **MENU** button to exit.

Language

Select **Language**, press the **ENTER** button to confirm, present mode will blink on the display, use the **UP/DOWN** button to select **English** or **Chinese**. Press the **MENU** button back to the last menu or let the unit idle 30 seconds to exit menu mode.

Fixture Test

To select **Fixture Test**, press the **ENTER** button to confirm, use the **UP/DOWN** button to select **Auto Test** or **Manual Test**.

Auto Test

To select **Auto Test**, press the **ENTER** button to confirm, the unit will run built-in programs to automatically test pan, tilt, P/T speed, color, gobo, prism, prism2, rprism, shutter, dimmer, focus, frost and spe. func. Press the **MENU** button to return to the previous menu or wait one minute to automatically exit the menu mode.

Manual Test

Select **Manual Test**, press the **ENTER** button to confirm, the present channel will show on the display, use the **UP/DOWN** button to select channel, press the **ENTER** button to confirm, then use the **UP/DOWN** button to adjust the value, press the **ENTER** button to store, the fixture will run as the channel value indicates. Press the **MENU** button back to the last menu or exit menu mode idling 30 seconds.

(The fixture will return to the previous DMX state after exiting Manual Test menu and the Manual Test parameters will be automatically saved after power off and restart.)

Fixture Information

To select **Information**, press the **ENTER** button to confirm, use the **UP/DOWN** button to select **Fixture Use Hour, LED Use Hour, Temperature, Fan State, Firmware Version or Error Logs**.

Fixture Use Hour

To Select **Fixture Use Hour**, press the **ENTER** button to confirm, fixture use hour will show on the display, press the **MENU** button to exit.

LED Use Hour

To select **LED Use Hour**, press the **ENTER** button to confirm, use the **UP/DOWN** button to select **Total LED Hour, LED On Hour or LED Hours Reset**, press the **ENTER** button to store. To select **LED Hours Reset**, press the **ENTER** button to confirm. Use the **UP/DOWN** button to select **No** or **Yes**, press the **ENTER** button to confirm. To select **Yes**, press the **ENTER** button to confirm, use the **UP/DOWN** button to set the password **050** to reset the LED hours, press the **ENTER** button to store. Press the **MENU** button back to the last menu or exit menu mode let the unit idle 30 seconds.

Temperature

To select **Temperature**, press the **ENTER** button to confirm, fixture temperature will show on the display, press the **MENU** button to exit.

Fan State

To select **Fan State**, press the **ENTER** button to confirm, firmware version will show on the display, press the **MENU** button back to exit

Firmware Version

To select **Firmware Version**, press the **ENTER** button to confirm, firmware version will show on the display, press the **MENU** button back to exit

Error Logs

Select **Error Logs**, press the **ENTER** button to confirm. Use the **UP/DOWN** button to select **Fixture Errors** or **Reset Error Log**, press the **ENTER** button to store. Select **Reset Error Log**, press the **ENTER** button to confirm. Use the **UP/DOWN** button to select **No** or **Yes**, press the **ENTER** button to store. Select **Yes**, press the **ENTER** button to confirm. Use the **UP/DOWN** button to set the password **050**, press the **ENTER** button to store. Press the **MENU** button back to the last menu or let the unit idle 30 seconds to exit menu mode.

Special Function

To select **Special Function**, press the **ENTER** button to confirm and lamp use time in **Factory Restore** can be viewed, press the **ENTER** button to confirm. Press the **MENU** button to return to the previous menu or wait one minute to automatically exit the menu mode.

Factory Restore

Select **Factory Restore**, press the **ENTER** button to confirm, use the **UP/DOWN** button to select **No** (normal) or **Yes** (the fixture will reset to factory settings), press **ENTER** button to store. Press the **MENU** button to exit.

RDM FUNCTIONS

Select the **MANUFACTURER** menu to display the manufacturer of the fixture.

Select the **SOFTWARE VERSION** menu and the program version number of the fixture will be displayed.

Select the **DMX START ADDRESS** menu to change the DMX 512 address (001-512).

Select the **DEVICE MODEL DESCRIPTION** menu to display the model of the fixture.

Select the **DEVICE LABEL** menu to change the model of the fixture.

Select the **DMX PERSONALITY** menu to set the channel mode of the fixture

(7/15/21/39/112/17/33/65/68/117/70)

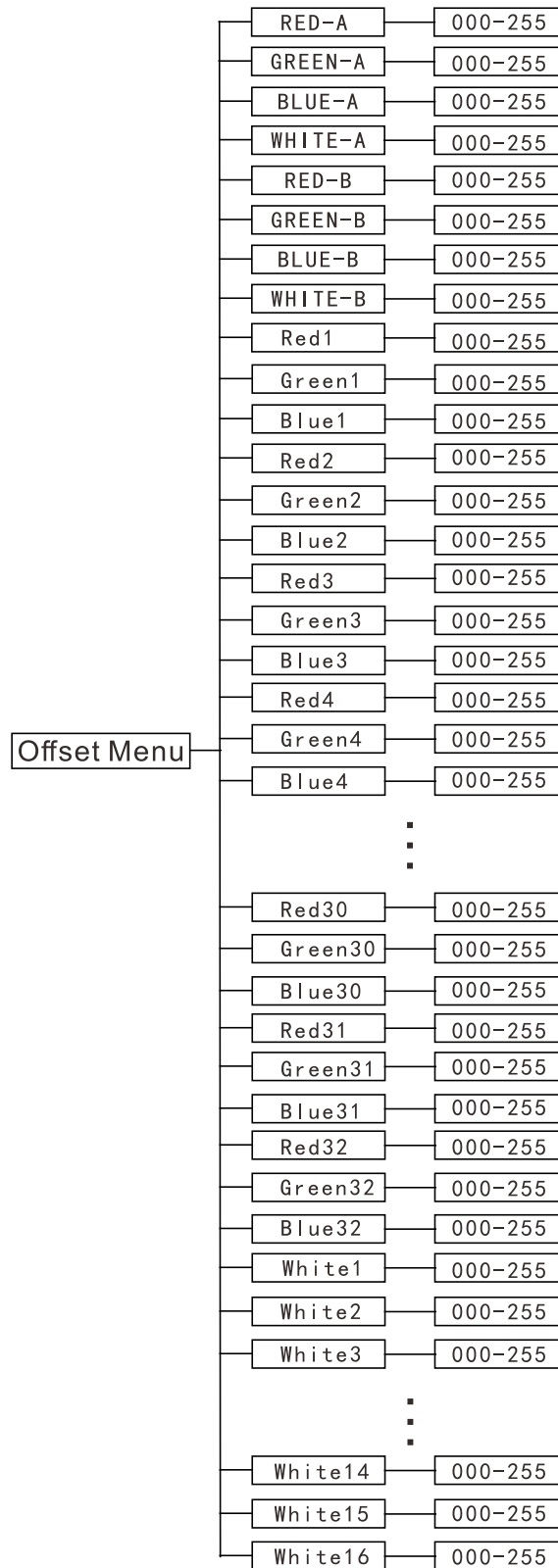
Select the **DMX PERSONALITY DESCRIPTION** menu to display the current channel mode of the fixture.

Select the **DEVICE HOURS** menu to display the running time of the fixture.

Select the **RESET DEVICE** menu, the **WARM RESET/COLD RESET** option will be displayed. When **WARM RESET** is selected, the fixture will start a warm reset, and exit when **COLD RESET** is selected.

5.2. Home Position Adjustment

Press the MENU button into menu mode, then press the ENTER button for about 3 seconds into offset mode to adjust the home position. Select the function by pressing the ENTER button. Use the UP/DOWN button to choose the submenu, press the ENTER button to store and automatically return to the last menu. Press MENU button to exit.



Red-A

Enter offset mode, select **Red-A**, press the **ENTER** button to confirm, the present position will blink on the display, use the **UP/DOWN** button to offset the value from 0 to 255, press the **ENTER** button to store. Press the **MENU** button to exit.

Green-A

Enter offset mode, select **Green-A** , press the **ENTER** button to confirm, the present position will blink on the display, use the **UP/DOWN** button to offset the value from 0 to 255, press the **ENTER** button to store. Press the **MENU** button to exit.

blue-A

Enter offset mode, select **Green-A** , press the **ENTER** button to confirm, the present position will blink on the display, use the **UP/DOWN** button to offset the value from 0 to 255, press the **ENTER** button to store. Press the **MENU** button to exit.

Red-B

Enter offset mode, select **Red-B**, press the **ENTER** button to confirm, the present position will blink on the display, use the **UP/DOWN** button to offset the value from 0 to 255, press the **ENTER** button to store. Press the **MENU** button to exit.

Green-B

Enter offset mode, select **Green-B**, press the **ENTER** button to confirm, the present position will blink on the display, use the **UP/DOWN** button to offset the value from 0 to 255, press the **ENTER** button to store. Press the **MENU** button to exit.

Blue-B

Enter offset mode, select **Blue-B**, press the **ENTER** button to confirm, the present position will blink on the display, use the **UP/DOWN** button to offset the value from 0 to 255, press the **ENTER** button to store. Press the **MENU** button to exit.

.....

White 15

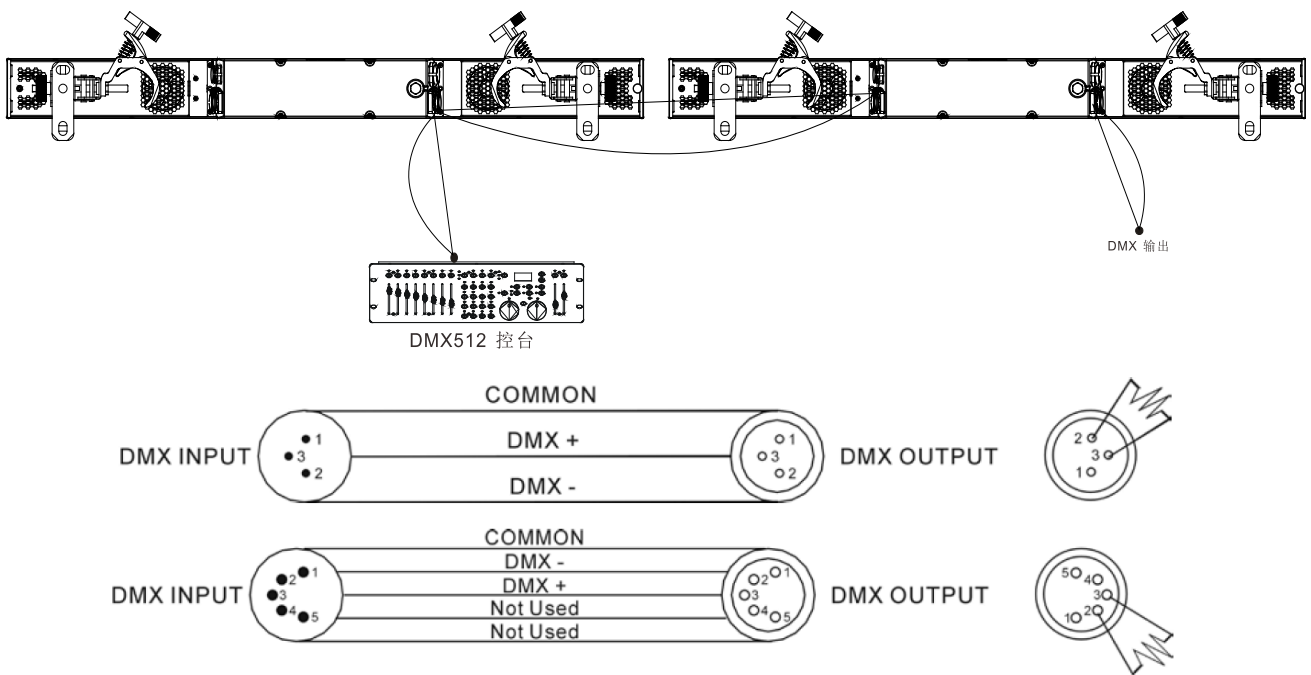
Enter offset mode, select **White 15**, press the **ENTER** button to confirm, the present position will blink on the display, use the **UP/DOWN** button to offset the value from 0 to 255, press the **ENTER** button to store. Press the **MENU** button to exit.

White 16

Enter offset mode, select **White 16**, press the **ENTER** button to confirm, the present position will blink on the display, use the **UP/DOWN** button to offset the value from 0 to 255, press the **ENTER** button to store. Press the **MENU** button to exit.

6. Control By Universal DMX Controller

6.1 DMX512 Connection



1. At last unit, the DMX cable has to be terminated with a terminator. Solder a 120-ohm 1/4W resistor between pin 2(DMX-) and pin 3(DMX+) into a 3-pin XLR-plug and plug it in the DMX-output of the last unit.
2. Connect the unit together in a “daisy chain” by XLR plug cable from the output of the unit to the input of the next unit. The cable can only be used in series and cannot be connected in parallel. DMX 512 is a very high-speed signal. Inadequate or damaged cables, soldered joints or corroded connectors can easily distort the signal and shut down the system.
3. The DMX output and input connectors are pass-through to maintain the DMX circuit, when one of the units’ power is disconnected.
4. Each lighting unit needs to have a DMX address to receive the data by the controller. The address number is between 1-512
5. The end of the DMX 512 system should be terminated to reduce signal errors.
6. 3 pin XLR connectors are more popular than 5 pins XLR.
 - 3 pin XLR: Pin 1: GND, Pin 2: Negative signal (-), Pin 3: Positive signal (+)
 - 5 pin XLR: Pin 1: GND, Pin 2: Negative signal (-), Pin 3: Positive signal (+), Pin4, Pin5 not used.

6.2 Address Setting

If you use a universal DMX controller to control the units, you have to set DMX address from 1 to 512 so that the units can receive DMX signal.

Press the MENU button to enter menu mode, select DMX Settings, press the ENTER button to confirm, use the UP/DOWN button to select DMX Address, press the ENTER button to confirm, the present address will blink in the display, use the UP/DOWN button to adjust the address from 001 to 512, press the ENTER button to store. Press the MENU button back to the last menu or let the unit idle 30 seconds to exit menu mode.

Please refer to the following diagram to address your DMX512 channel for the first 4 units.

Channel mode	Unit 1 Address	Unit 2 Address	Unit 3 Address	Unit 4 Address
7 channels	1	8	15	22
15 channels	1	16	31	46
21 channels	1	22	43	64
39 channels	1	40	79	118
112 channels	1	113	225	337
17 channels	1	18	35	52
33 channels	1	34	67	100
65 channels	1	66	131	196
68 channels	1	69	137	205
117 channels	1	118	235	352
70 channels	1	71	141	211

6.4 DMX512 Configuration

Please control the fixture by referring to the configurations below

Attentions:

1. The unit will maintain the last condition until reset if you cut-off the DMX signal.
2. For the channel Function, keep the value for about 3 seconds, then the corresponding function will take into effect.

7 Channels:

CHANNEL	DMX VALUE	FUNCTION
1	000-255	Red
2	000-255	Green
3	000-255	Blue
4	000-255	White
5	000-004	No function
	005-255	Dimmer Intensity: Intensity 0 to 100%
6	000-255	Dimmer Fine: 0 to 100%
7	000-255	FROST: 0 to 100%

15 Channels:

CHANNEL	DMX VALUE	FUNCTION
1	000-255	Red
2	000-255	Green
3	000-255	Blue
4	000-255	White
5	000-255	Color
6	000-004	No function
	005-225	Dimmer Intensity: Intensity 0 to 100%
7	000-255	Dimmer Fine: 0 to 100%
8	000-225	Strobe Duration

9	000-006 007-255	Blackout Strobe Rate
10	000-005 006-050 051-100 101-150 151-200 201-255	No effect Ramp up Ramp down Ramp up-down Lightning Random
11	000-023 024-031 032-039 040-047 048-055 056-063 064-071 072-079 080-087 088-095 096-103 104-111 112-129 130-137 138-145 146-153 154-161 162-169 170-177 178-185 186-193 194-201 202-209 210-217 218-223 224-231 232-239 240-247 248-255	Backlight Macro No function Macro1 Macro2 Macro3 Macro4 Macro5 Macro6 Macro7 Macro8 Macro9 Macro10 Macro11 Macro12 Macro13 Macro14 Macro15 Macro16 Macro17 Macro18 Macro19 Macro21 Macro22 Macro23 Macro24 Macro25 Macro26 Macro27 Macro28
		Backlight Macro

12	000-090	No function
	091-105	Macro1
	106-120	Macro2
	121-135	Macro3
	136-150	Macro4
	151-165	Macro5
	166-180	Macro6
	181-195	Macro7
	196-210	Macro8
	211-255	Macro9
	226-240	Macro10
241-255	Macro11	
13	000-255	Macro_Speed
14	000-255	White_Fade (Valid when strobe duration and strobe speed equal to 255)
15	000-255	FROST:0 to 100%

21 Channels:

CHANNEL	DMX VALUE	FUNCTION
1	000-255	Red
2	000-255	Green
3	000-255	Blue
4	000-255	Color
5	000-004	No function
	005-255	Dimmer Intensity: Intensity 0 to 100%
6	000-255	Dimmer Fine: 0 to 100%
7	000-255	Strobe Duration
8	000-006	Blackout
	007-255	Strobe Rate
9	000-005	No effect
	006-050	Ramp up

	051-100 101-150 151-200 201-255	Ramp down Ramp up-down Lightning Random
10	000-023 024-031 032-039 040-047 048-055 056-063 064-071 072-079 080-087 088-095 096-101 102-109 110-117 118-125 126-133 134-141 142-149 150-157 158-165 166-173 174-181 182-189 190-197 198-205 206-213 214-221 222-229 230-237 238-245 246-255	Backlight Macro No function Macro1 Macro2 Macro3 Macro4 Macro5 Macro6 Macro7 Macro8 Macro9 Macro10 Macro11 Macro12 Macro13 Macro14 Macro15 Macro16 Macro17 Macro18 Macro 19 Macro 20 Macro 21 Macro 22 Macro 23 Macro 24 Macro 25 Macro 26 Macro 27 Macro 28 Macro 29
11	000-255	Macro_Speed
12	000-255	RGB_Fade (Valid when strobe duration and strobe speed equal to 255)
13	000-004	No function
	005-255	Dimmer Intensity:Intensity 0 to 100%

14	000-255	Dimmer Fine: 0 to 100%
15	000-255	Strobe Duration
16	000-006	Blackout
	007-255	Strobe Rate
17	000-005	No effect
	006-050	Ramp up
	051-100	Ramp down
	101-150	Ramp up-down
	151-200	Lightning
	201-255	Random
18	000-091	Mainlight Macro
	092-105	No function
	106-120	Macro 1
	121-135	Macro 2
	136-150	Macro 3
	151-165	Macro 4
	166-180	Macro 5
	181-195	Macro 6
	196-210	Macro 7
	211-225	Macro 8
	226-240	Macro 9
241-255	Macro 10	
19	000-255	Macro_Speed
20	000-255	White_Fade (Valid when strobe duration and strobe speed equal to 255)
21	000-255	FROST

39 Channels:

CHANNEL	DMX VALUE	FUNCTION
1	000-255	Red1
2	000-255	Green1
3	000-255	Blue1
4	000-255	Red2

5	000-255	Green2
6	000-255	Blue2
7	000-255	Red3
8	000-255	Green3
9	000-255	Blue3
10	000-255	Red4
11	000-255	Green4
12	000-255	Blue4
13	000-255	Red5
14	000-255	Green5
15	000-255	Blue5
16	000-255	Red6
17	000-255	Green6
18	000-255	Blue6
19	000-255	Red7
20	000-255	Green7
21	000-255	Blue7
22	000-255	Red8
23	000-255	Green8
24	000-255	Blue8
25	000-004	No function
	005-255	Dimmer Intensity: Intensity 0 to 100%
26	000-255	Dimmer Fine: 0 to 100%
27	000-255	Strobe Duration
28	000-006 007-255	Blackout Strobe Rate
29	000-005 006-050 051-100 101-150 151-200 201-255	No effect Ramp up Ramp down Ramp up-down Lightning Random

30	000-255	White1
31	000-255	White2
32	000-255	White3
33	000-255	White4
34	000-004	No effect
	005-255	Dimmer Intensity: Intensity 0 to 100%
35	000-255	Dimmer Fine: 0 to 100%
36	000-255	Strobe Duration
37	000-006	Blackout
	007-255	Strobe Rate
38	000-005	No effect
	006-050	Ramp up
	051-100	Ramp down
	101-150	Ramp up-down
	151-200	Lightning
	201-255	Random
39	000-255	FROST

112 Channels:

CHANNEL	DMX VALUE	FUNCTION
1	000-255	Red1
2	000-255	Green1
3	000-255	Blue1
4	000-255	Red2
5	000-255	Green2
6	000-255	Blue2
7	000-255	Red3
8	000-255	Green3
9	000-255	Blue3
10	000-255	Red4

11	000-255	Green4
12	000-255	Blue4
13	000-255	Red5
14	000-255	Green5
15	000-255	Green5
16	000-255	Blue5
17	000-255	Red6
18	000-255	Green6
19	000-255	Blue6
20	000-255	Red7
21	000-255	Green7
22	000-255	Blue7
23	000-255	Red8
24	000-255	Green8
25	000-255	Blue8
26	000-255	Red9
27	000-255	Green9
28	000-255	Blue9
29	000-255	Red10
30	000-255	Green10
31	000-255	Blue10
32	000-255	Red11
33	000-255	Green11
34	000-255	Blue11
35	000-255	Red12
36	000-255	Green12
37	000-255	Blue12
38	000-255	Red13
39	000-255	Blue13
40	000-255	Red14

41	000-255	Green14
42	000-255	Blue14
43	000-255	Red15
44	000-255	Green15
45	000-255	Blue15
46	000-255	Red16
47	000-255	Green16
48	000-255	Blue16
49	000-255	Red17
50	000-255	Green17
51	000-255	Blue17
52	000-255	Red18
53	000-255	Green18
54	000-255	Blue18
55	000-255	Red19
56	000-255	Green19
57	000-255	Blue19
58	000-255	Red20
59	000-255	Green20
60	000-255	Blue20
61	000-255	Red21
62	000-255	Green21
63	000-255	Blue21
64	000-255	Red22
65	000-255	Green22
66	000-255	Blue22
67	000-255	Red23
68	000-255	Green23
69	000-255	Blue23
70	000-255	Red24

71	000-255	Green24
72	000-255	Blue24
73	000-255	Red25
74	000-255	Green25
75	000-255	Blue25
76	000-255	Red26
77	000-255	Green26
78	000-255	Blue26
79	000-255	Red27
80	000-255	Green27
81	000-255	Blue27
82	000-255	Red28
83	000-255	Green28
84	000-255	Blue28
85	000-255	Red29
86	000-255	Green29
87	000-255	Blue29
88	000-255	Red30
89	000-255	Green30
90	000-255	Blue30
91	000-255	Red31
92	000-255	Green31
93	000-255	Blue31
94	000-255	Red32
95	000-255	Green32
96	000-255	Blue32
97	000-255	White1
98	000-255	White2
99	000-255	White3
100	000-255	White4

101	000-255	White5
102	000-255	White6
103	000-255	White7
104	000-255	White8
105	000-255	White9
106	000-255	White10
107	000-255	White11
108	000-255	White12
109	000-255	White13
110	000-255	White14
111	000-255	White15
112	000-255	White16

17 Channels:

CHANNEL	DMX VALUE	FUNCTION
1	000-255	Red1
2	000-255	Green1
3	000-255	Blue1
4	000-255	Red2
5	000-255	Green2
6	000-255	Blue2
7	000-255	Red3
8	000-255	Green3
9	000-255	Blue3
10	000-255	Red4
11	000-255	Green4
12	000-255	Blue4
13	000-255	White1
14	000-255	White2

15	000-255	White3
16	000-255	White4
17	000-255	FROST

33 Channels:

CHANNEL	DMX VALUE	FUNCTION
1	000-255	Red1
2	000-255	Green1
3	000-255	Blue1
4	000-255	Red2
5	000-255	Green2
6	000-255	Blue2
7	000-255	Red3
8	000-255	Green3
9	000-255	Blue3
10	000-255	Red4
11	000-255	Green4
12	000-255	Blue4
13	000-255	Red5
14	000-255	Green5
15	000-255	Blue5
16	000-255	Red6
17	000-255	Green6
18	000-255	Blue6
19	000-255	Red7
20	000-255	Green7
21	000-255	Blue7
22	000-255	Red8
23	000-255	Green8
24	000-255	Blue8

25	000-255	White1
26	000-255	White2
27	000-255	White3
28	000-255	White4
29	000-255	White5
30	000-255	White6
31	000-255	White7
32	000-255	White8
33	000-255	FROST

65 Channels:

CHANNEL	DMX VALUE	FUNCTION
1	000-255	Red1
2	000-255	Green1
3	000-255	Blue1
4	000-255	Red2
5	000-255	Green2
6	000-255	Blue2
7	000-255	Red3
8	000-255	Green3
9	000-255	Blue3
10	000-255	Red4
11	000-255	Green4
12	000-255	Blue4
13	000-255	Red5
14	000-255	Green5
15	000-255	Blue5
16	000-255	Red6
17	000-255	Green6
18	000-255	Blue6

19	000-255	Red7
20	000-255	Green7
21	000-255	Blue7
22	000-255	Red8
23	000-255	Green8
24	000-255	Blue8
24	000-255	Red9
25	000-255	Green9
26	000-255	Blue9
27	000-255	Green8
28	000-255	Red10
29	000-255	Green10
30	000-255	Blue10
31	000-255	Red11
32	000-255	Green11
33	000-255	Blue11
34	000-255	Red12
35	000-255	Green12
36	000-255	Blue12
37	000-255	Red13
38	000-255	Green13
39	000-255	Blue13
40	000-255	Red14
41	000-255	Green14
42	000-255	Blue14
43	000-255	Red15
44	000-255	Green15
45	000-255	Blue15
46	000-255	Red16
47	000-255	Green16

48	000-255	Blue16
49	000-255	White1
50	000-255	White2
51	000-255	White3
52	000-255	White4
53	000-255	White5
54	000-255	White6
55	000-255	White7
56	000-255	White8
57	000-255	White9
58	000-255	White10
59	000-255	White11
60	000-255	White12
61	000-255	White13
62	000-255	White14
63	000-255	White15
64	000-255	White16
65	000-255	FROST

68 Channels:

CHANNEL	DMX VALUE	FUNCTION
1	000-004	No function
	005-255	Dimmer
2	000-007	Backlight Strobe Effect
	008-127	No Effect
	128-130	Strobe
	134-250	No Effect
	251-255	Random No Effect
3	000-007	Mainlight Strobe Effect
	008-127	No Effect
	128-130	Strobe
		No Effect

	134-250 251-255	Random No Effect
4	000-255	Frost
5	000-255	Red1
6	000-255	Green1
7	000-255	Blue1
8	000-255	Red2
9	000-255	Green2
10	000-255	Blue2
11	000-255	Red3
12	000-255	Green3
13	000-255	Blue3
14	000-255	Red4
15	000-255	Green4
16	000-255	Blue4
17	000-255	Red5
18	000-255	Green5
19	000-255	Blue5
20	000-255	Red6
21	000-255	Green6
22	000-255	Blue6
23	000-255	Red7
24	000-255	Green7
25	000-255	Blue7
26	000-255	Red8
27	000-255	Green8
28	000-255	Blue8
29	000-255	Red9
30	000-255	Green9
31	000-255	Blue9
32	000-255	Red10

33	000-255	Green10
34	000-255	Blue10
35	000-255	Red11
36	000-255	Green11
37	000-255	Blue11
38	000-255	Red12
39	000-255	Green12
40	000-255	Blue12
41	000-255	Red13
42	000-255	Green13
43	000-255	Blue13
44	000-255	Red14
45	000-255	Green14
46	000-255	Blue14
47	000-255	Red15
48	000-255	Green15
49	000-255	Blue15
50	000-255	Red16
51	000-255	Green16
52	000-255	Blue16
53	000-255	White1
54	000-255	White2
55	000-255	White3
56	000-255	White4
57	000-255	White5
58	000-255	White6
59	000-255	White7
60	000-255	White8
61	000-255	White9
62	000-255	White10

63	000-255	White11
64	000-255	White12
65	000-255	White13
66	000-255	White14
67	000-255	White15
68	000-255	White16

117 Channels:

CHANNEL	DMX VALUE	FUNCTION
1	000-004	No function
	005-255	Dimmer
2	000-255	Strobe Duration
3	000-006	Blackout
	007-255	Strobe Rate
4	000-005	No effect
	006-050	Ramp up
	051-100	Ramp down
	101-150	Ramp up-down
	151-200	Lightning
	201-255	Random
5	000-255	Frost
6	000-255	Red1
7	000-255	Green1
8	000-255	Blue1
9	000-255	Red2
10	000-255	Green2
11	000-255	Blue2
12	000-255	Red3
13	000-255	Green3
14	000-255	Blue3
15	000-255	Red4

16	000-255	Green4
17	000-255	Blue4
18	000-255	Red5
19	000-255	Green5
20	000-255	Blue5
21	000-255	Red6
22	000-255	Green6
23	000-255	Blue6
24	000-255	Red7
25	000-255	Green7
26	000-255	Blue7
27	000-255	Red8
28	000-255	Green8
29	000-255	Blue8
30	000-255	Red9
31	000-255	Green9
32	000-255	Blue9
33	000-255	Red10
34	000-255	Green10
35	000-255	Blue10
36	000-255	Red11
37	000-255	Green11
38	000-255	Blue11
39	000-255	Red12
40	000-255	Green12
41	000-255	Blue12
42	000-255	Red13
43	000-255	Green13
44	000-255	Blue13
45	000-255	Red14

46	000-255	Green14
47	000-255	Blue14
48	000-255	Red15
49	000-255	Green15
50	000-255	Blue15
51	000-255	Red16
52	000-255	Green16
53	000-255	Blue16
54	000-255	Red17
55	000-255	Green15
56	000-255	Blue15
57	000-255	Red16
58	000-255	Green16
59	000-255	Blue16
60	000-255	Red17
61	000-255	Green15
62	000-255	Blue15
63	000-255	Red16
64	000-255	Green16
65	000-255	Blue16
66	000-255	Red17
67	000-255	Green15
68	000-255	Blue15
69	000-255	Red16
70	000-255	Green16
71	000-255	Blue16
72	000-255	Red17
73	000-255	Green15
74	000-255	Blue15
75	000-255	Red16

76	000-255	Green16
77	000-255	Blue16
78	000-255	Red17
79	000-255	Green25
80	000-255	Blue25
81	000-255	Red26
82	000-255	Green26
83	000-255	Blue26
84	000-255	Red27
85	000-255	Green27
86	000-255	Blue27
87	000-255	Red28
88	000-255	Green28
89	000-255	Blue28
90	000-255	Red29
91	000-255	Green29
92	000-255	Blue29
93	000-255	Red30
94	000-255	Green30
95	000-255	Blue30
96	000-255	Red31
97	000-255	Green31
98	000-255	Blue31
99	000-255	Red32
100	000-255	Green32
101	000-255	Blue32
102	000-255	White1
103	000-255	White2
104	000-255	White3
105	000-255	White4

106	000-255	White5
107	000-255	White6
108	000-255	White7
109	000-255	White8
110	000-255	White9
111	000-255	White10
112	000-255	White11
113	000-255	White12
114	000-255	White13
115	000-255	White14
116	000-255	White15
117	000-255	White16

70 Channels:

CHANNEL	DMX VALUE	FUNCTION
1	000-004	No function
	005-255	Dimmer
2	000-255	Backlight Strobe Effect
	000-007	No Effect
	008-127	Strobe
	128-130	No Effect
	134-250	Random
	251-255	No Effect
3	000-255	Mainlight Strobe Effect
	000-007	No Effect
	008-127	Strobe
	128-130	No Effect
	134-250	Random
	251-255	No Effect
4	000-255	Frost
5	000-255	Red1
6	000-255	Green1

7	000-255	Blue1
8	000-255	Red2
9	000-255	Green2
10	000-255	Blue2
11	000-255	Red3
12	000-255	Green3
13	000-255	Blue3
14	000-255	Red4
15	000-255	Green4
16	000-255	Blue4
17	000-255	Red5
18	000-255	Green5
19	000-255	Blue5
20	000-255	Red6
21	000-255	Green6
22	000-255	Blue6
23	000-255	Red7
24	000-255	Green7
25	000-255	Blue7
26	000-255	Red8
27	000-255	Green8
28	000-255	Blue8
29	000-255	Red9
30	000-255	Green9
31	000-255	Blue9
32	000-255	Red10
33	000-255	Green10
34	000-255	Blue10
35	000-255	Red11
36	000-255	Green11

37	000-255	Blue11
38	000-255	Red12
39	000-255	Green12
40	000-255	Blue12
41	000-255	Red13
42	000-255	Green13
43	000-255	Blue13
44	000-255	Red14
45	000-255	Green14
46	000-255	Blue14
47	000-255	Red15
48	000-255	Green15
49	000-255	Blue15
50	000-255	Red16
51	000-255	Green16
52	000-255	Blue16
53	000-255	White1
54	000-255	White2
55	000-255	White3
56	000-255	White4
57	000-255	White5
58	000-255	White6
59	000-255	White7
60	000-255	White8
61	000-255	White9
62	000-255	White10
63	000-255	White11
64	000-255	White12
65	000-255	White13
66	000-255	White14

67	000-255	White15
68	000-255	White16
69	000-255	RGB_Fade
70	000-255	White_Fade

LED 区块分布图:

7/15/21CH

1
2
1

17CH

1	2	3	4
5	6	7	8
1	2	3	4

33/39CH

1	2	3	4	5	6	7	8
9	10	11	12	13	14	15	16
1	2	3	4	5	6	7	8

65/68CH

1	2	3	4	5	6	7	8	9	10	11	12	13	14	15	16
17	18	19	20	21	22	23	24	25	26	27	28	29	30	31	32
1	2	3	4	5	6	7	8	9	10	11	12	13	14	15	16

112/117CH

1	2	3	4	5	6	7	8	9	10	11	12	13	14	15	16
33	34	35	36	37	38	39	40	41	42	43	44	45	46	47	48
17	18	19	20	21	22	23	24	25	26	27	28	29	30	31	32

7. Error Information

Error codes are shown continuously in the display when the fixture fails and they will not disappear until the fixture is repaired.

1. LED Fan Error

Check if the fan is not running

Check if the fan leads are installed in place or disconnected.

Check if the fan is damaged.

Check if there are other interference items in the fan operating range. Check if the fan circuit on the

motherboard breaks down.

Check if the component is damaged.

Check if the fan is out of order.

2. Temperature Error

Check if the temperature detecting board is normal

Check if the components of the temperature detecting board are damaged

Check if the lead of the temperature detecting board is installed in place or disconnected

3. Timeout Use

4. LED Too Hot Off

When the fixture temperature reaches 86°C, it will automatically turn off to protect the fixture.

8. Troubleshooting

Following are a few common problems that may occur during operation. Here are some suggestions for troubleshooting:

A. The unit does not work and no light

1. Check the connected power.
2. Measure the voltage.
3. Check the power indicator to see whether it can be lit up or not.

B. Not responding to the DMX controller

1. Check whether the DMX connectors and the DMX cables are connected correctly.
2. Check whether the DMX address is correctly set.
3. If the intermittent DMX signal problem occurs, check whether the XLR socket and the signal cable are well connected.
4. Try it with another DMX controller.
5. Check whether the DMX cables run near or alongside to the high-voltage cables, which may damage or interfere with the signal circuit.

9. Fixture Cleaning

It is absolutely essential that the fixture is kept clean to ensure the maximum light-output and allow the fixture to function reliably throughout its life. The fixture must be cleaned regularly to avoid dust, dirt and smoke-fluid residues building up on or within the fixture. The cleaning frequency depends on the application environment. Clean the fixture immediately if the dust enters it to avoid damage to the optical lens due to excessive dust.

- A soft lint-free cloth moistened with any good glass cleaning fluid is recommended, under no circumstances should solvents be used.
- Always dry the parts carefully.
- Clean the external optical lens at least every 20 days.

Innovation, Quality, Performance