

# Q5

## COLOR

### User Guide

## Safety Instructions

- DO NOT look into the light source. Be cautious of the high-intensity beam.
- DO NOT disassemble Q5 Color. This will void the warranty.
- DO NOT install Q5 Color in damp or wet locations.
- DO NOT cover/block the fixture's air vents.
- Mount the Q5 Color with a safety cable. (A safety cable is not included.)
- Only use Fiilex approved power supply and accessories. Failure to do so may damage the fixture.

## Operation Modes

Mode 1	CCT, 8-bit	Mode 9	CCT, 16-bit
Mode 2	HSI, 8-bit	Mode 10	HSI, 16-bit
Mode 3	RGBW, 8-bit	Mode 11	RGBW, 16-bit
Mode 4	CCT + HSI, 8-bit	Mode 12	CCT + HSI, 16-bit
Mode 5	CCT + RGBW, 8-bit	Mode 13	CCT + RGBW, 16-bit
Mode 6	CIE-x,y, 8-bit	Mode 14	CIE-x,y, 16-bit
Mode 7	Gel, 8-bit	Mode 15	Gel, 16-bit
Mode 8	Effects, 8-bit	Mode 16	Effects, 16-bit

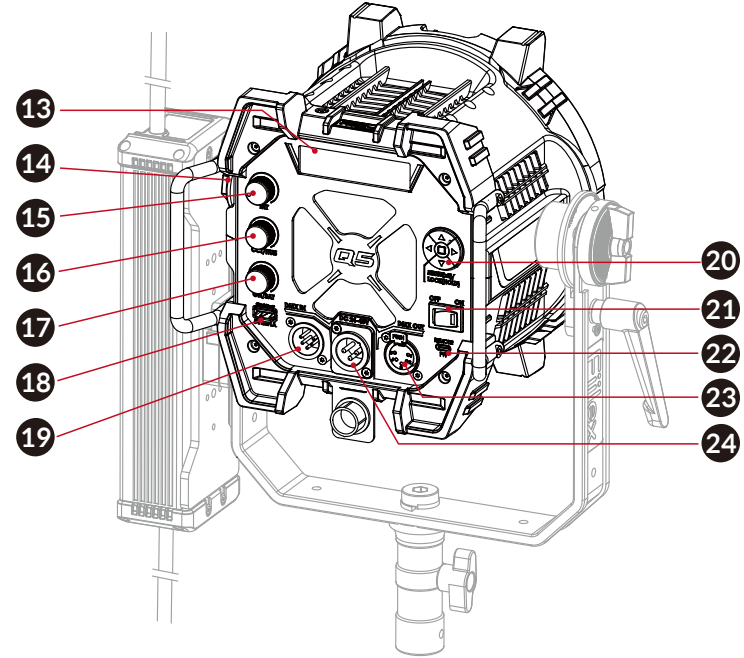
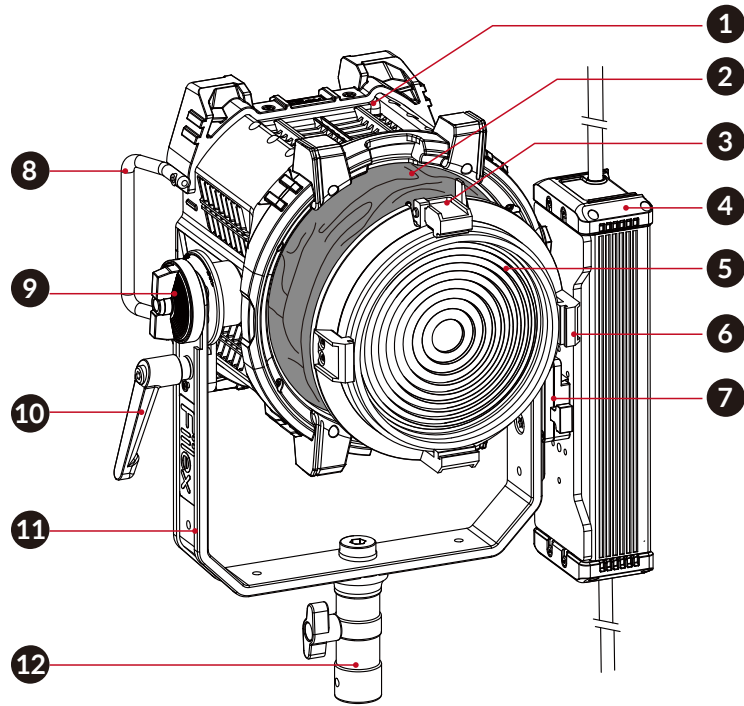
## Settings

Fan Speed	Description
off	The fan is completely off. (Operation time is limited.)
Variable	The fan speed varies based on light intensity.
Silent	The fan operates at reduced speed.
Full Speed	The fan operates at full speed.

Dimming	Description
Sharp	Best for flash and strobe effects.
Smooth	Best for long slow fades.



# Parts Diagram



- |                            |                         |                                   |   |
|----------------------------|-------------------------|-----------------------------------|---|
| 1. Vent Holes              | 7. Dual Locking V-Mount | 13. OLED Display                  | 19. DMX Input (XLR-Male 5-pin)              |
| 2. Water Repellent Fabric  | 8. Handles              | 14. Yoke Bolt                     | 20. Navigation Pad                          |
| 3. Latch                   | 9. Beam Adjustment Knob | 15. Intensity Control Knob        | 21. ON/OFF Switch                           |
| 4. Power Supply Unit (PSU) | 10. Tilt Lock Lever     | 16. CCT/HUE Knob                  | 22. USB Type-C Port (For updating firmware) |
| 5. Fresnel Lens            | 11. Yoke                | 17. GN/SAT Knob                   | 23. DMX Output (XLR-Fmale 5-pin)            |
| 6. Fresnel Lens Holder     | 12. Junior Pin Receiver | 18. USB Type-A Port (5V/1A Power) | 24. DC Input Port                           |