

FEATURES

- ~5000W tungsten output (1360W draw)
- 2800-1000K continuous CCT tuning
- RGBW Color Modes (HSI, Effects, Gels, etc.)
- High CRI values at every color temperature
- Dims to 0% without flicker or color shift
- Precise color calibration for consistent quality
- Integrated cable management & power supply
- DMX control (via included controller or XLR5 input)
- Compatible with industry standard softboxes
- Optional Quad Fresnel Lens



QUAD @ 101°



QUAD @ 33° (Quad Fresnel)

EXCELLENT COLOR RENDERING industry leading scores on difficult color samples (R9, R12)

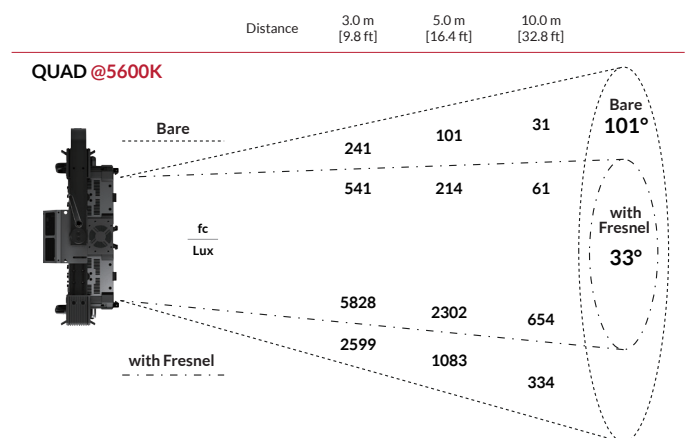
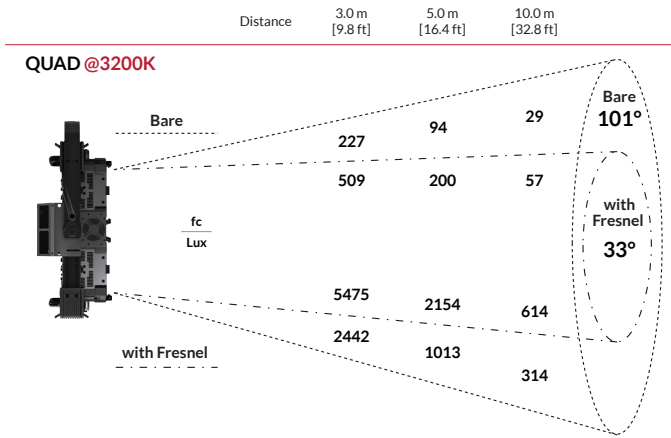
CCT	R1	R2	R3	R4	R5	R6	R7	R8	R9	R10	R11	R12	R13	R14	R15	CRI _{Ra} *	CRI _{Ext} *	TLCI
3200K	96	98	86	95	98	96	95	91	87	88	94	86	98	90	95	94	93	92
5600K	98	96	91	97	96	94	97	96	90	86	95	86	97	94	97	96	94	95
6500K	99	97	92	97	97	95	98	97	94	88	96	88	98	94	98	96	95	96

Typical values shown.

*CRI_{Ra} is the averaged result of R1 to R8; CRI_{Ext} is the averaged value of R1 to R15.

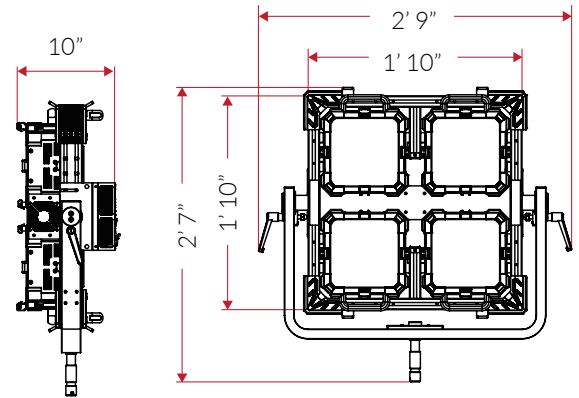
191016X

PHOTOMETRIC DATA



SPECIFICATIONS

Beam Angle	101° (33° with Quad Fresnel)
CCT Range	2800 - 10000K Continuous Tuning
CRI	95 Typical
Hue	±0.25 Green
Color Control	360° Color
Dimming	100% - 0% Flicker Free
Light Engine	Dense Matrix LED
Total Power Draw	1360W Max
Max Intensity	~540fc (at 3m, 5600K)
AC Input	100 - 240V AC, 50 ~ 60Hz
DMX Interface	XLR5 & Attached Fiilex DMX Controller
Total Weight	75lbs / 34kg
Size (L x W x H)	2' 9" x 10" x 2' 7" / 84cm x 25cm x 79cm
Mount	Junior Stud 1-1/8" Male (28mm)



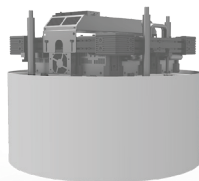
OPTIONAL ACCESSORIES & KITS



Quad Fresnel
FLXA067



Softbox Tabs
FLXXXXX



Spacelight Tabs
FLXXXXX